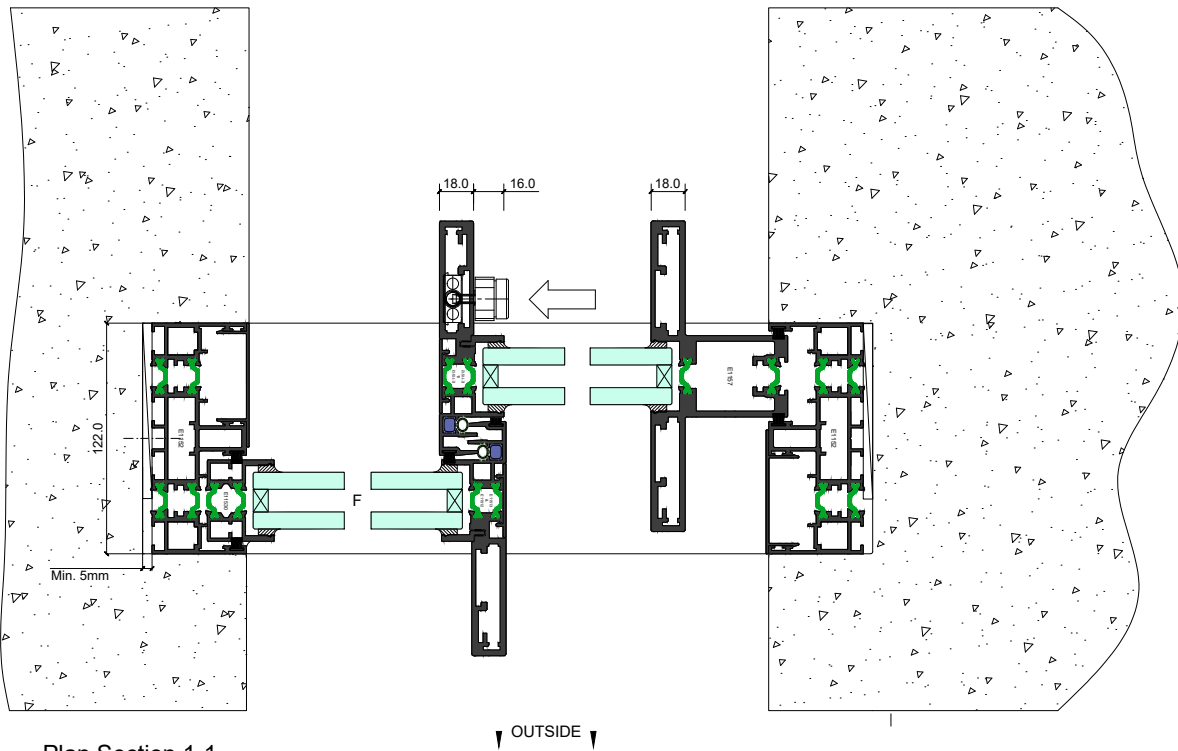


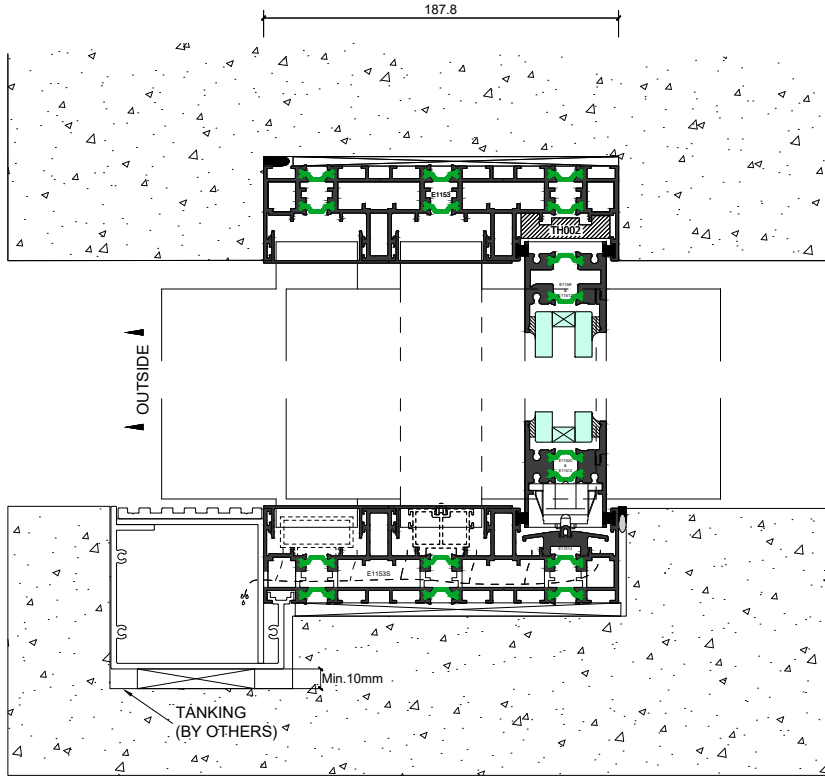
Elevation Section 2-2 (Aluminium Grate Drain Option)



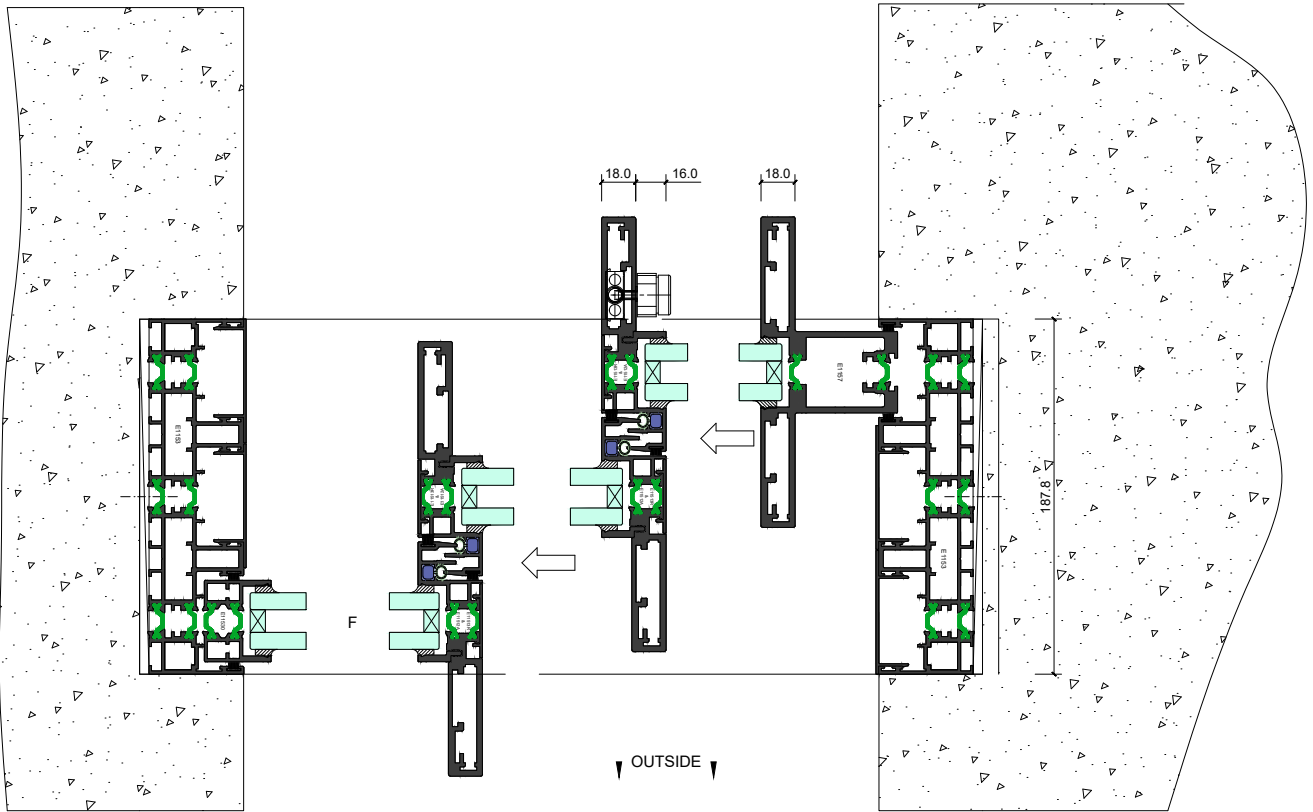
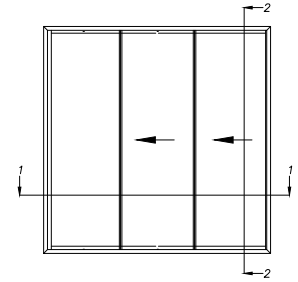
Plan Section 1-1

Wall Connection Detail

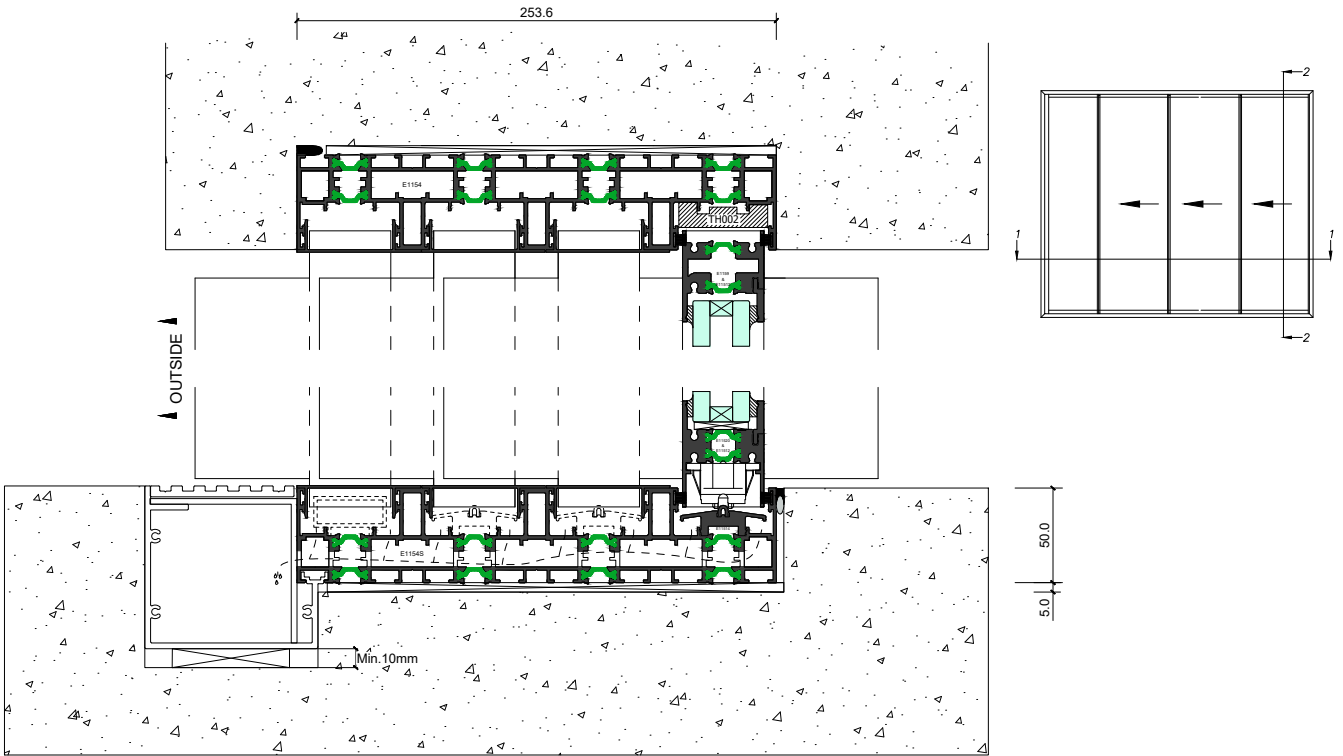
3 Track System



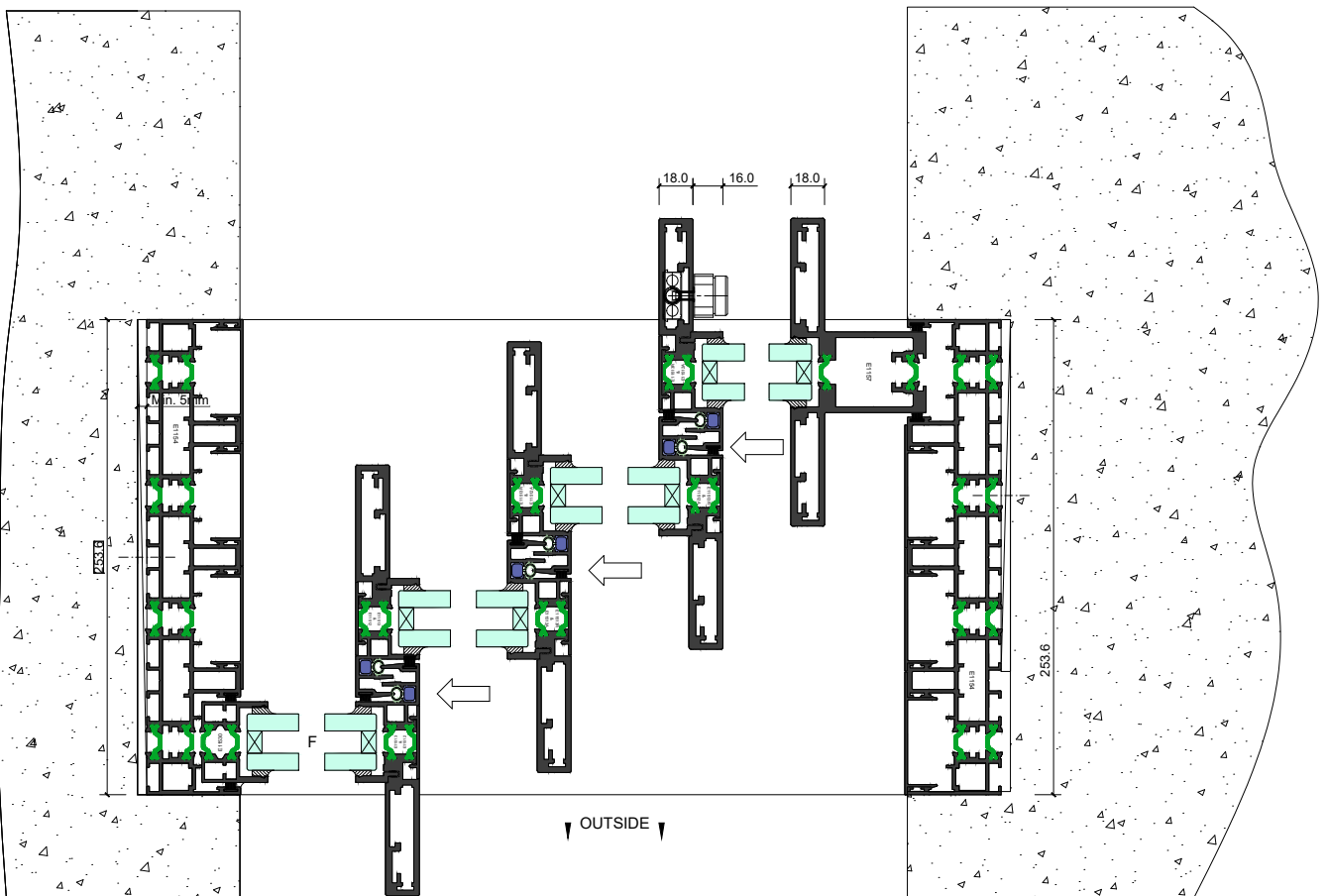
Elevation Section 2-2 (Aluminium Grate Drain Option)



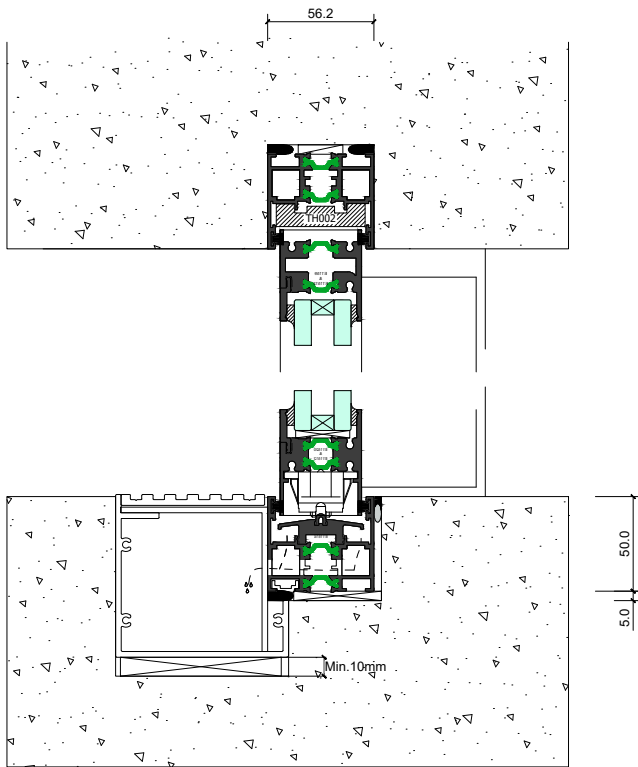
Plan Section 1-1



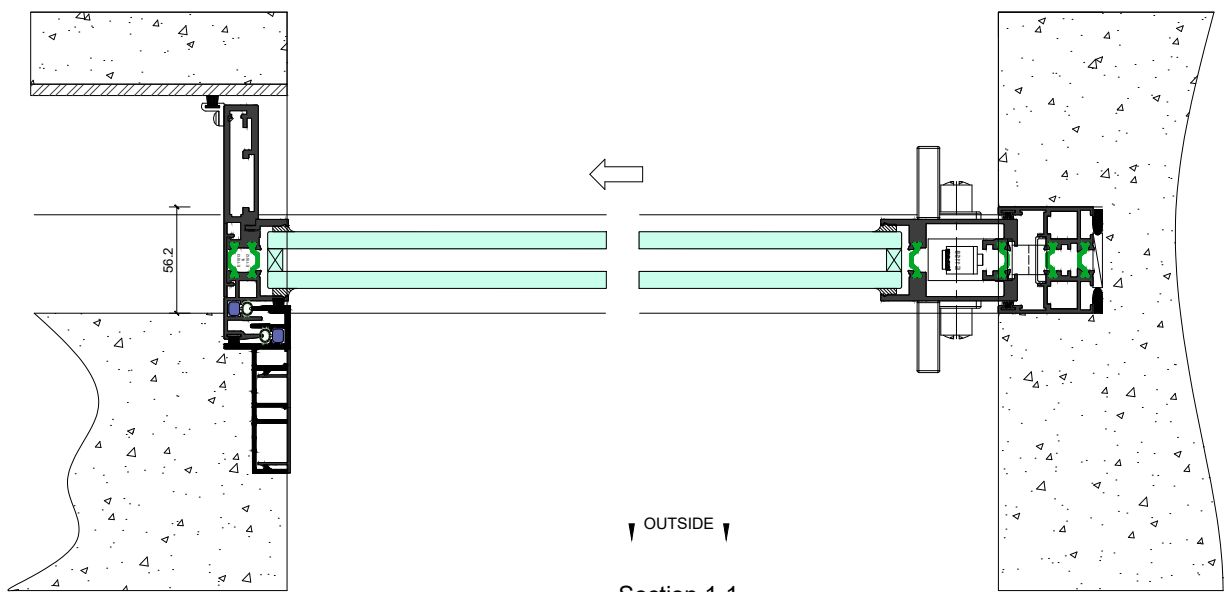
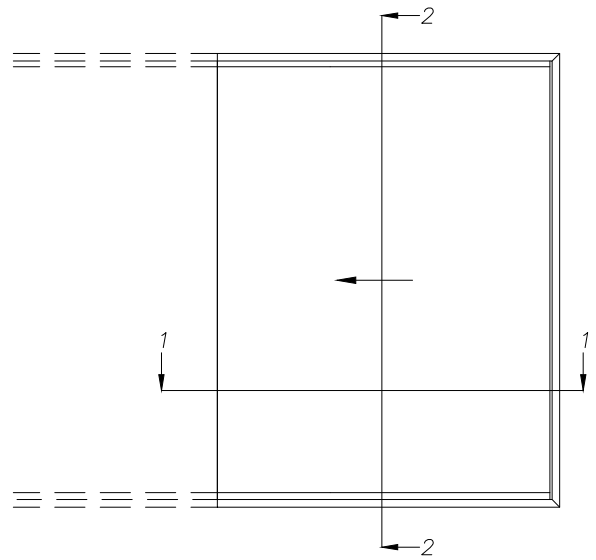
Elevation Section 2-2 (Aluminium Grate Drain Option)



Plan Section 1-1



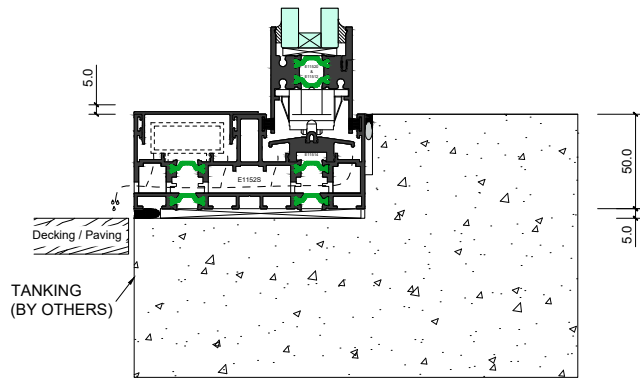
Section 2-2



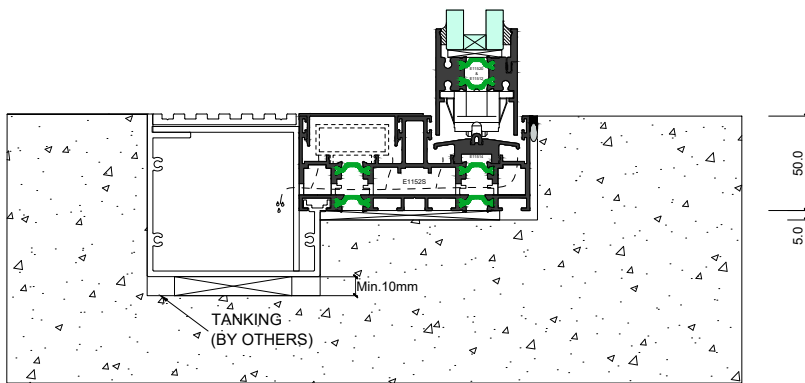
Section 1-1

Wall Connection Detail

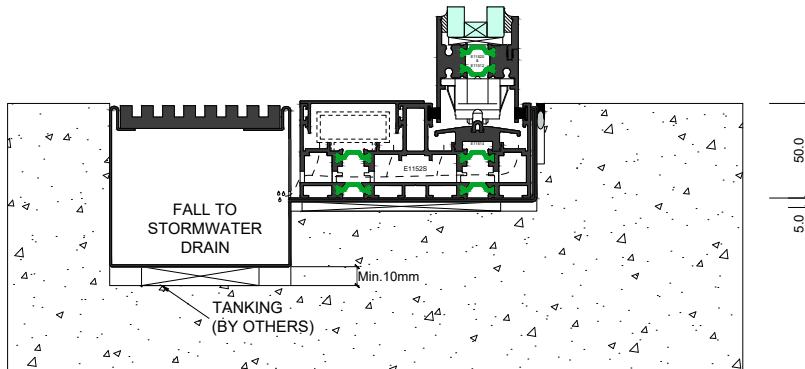
Drain Options



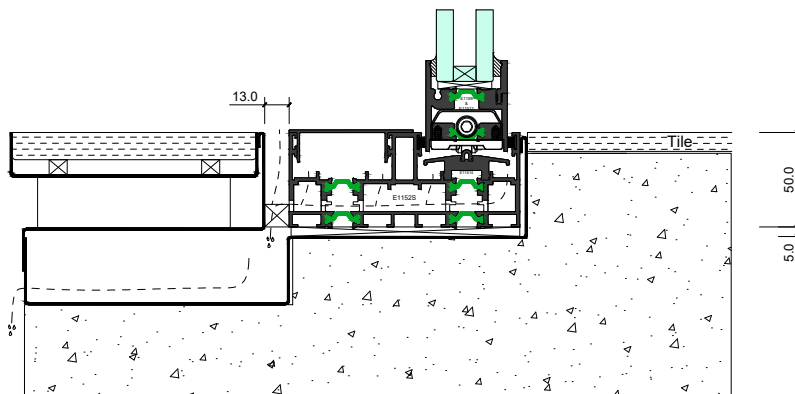
(Rebate Sill Option)



(Aluminium Grate Drain Option)



(Stainless Steel Grate Drain Option)



(Stainless Steel Slot Drain Option)