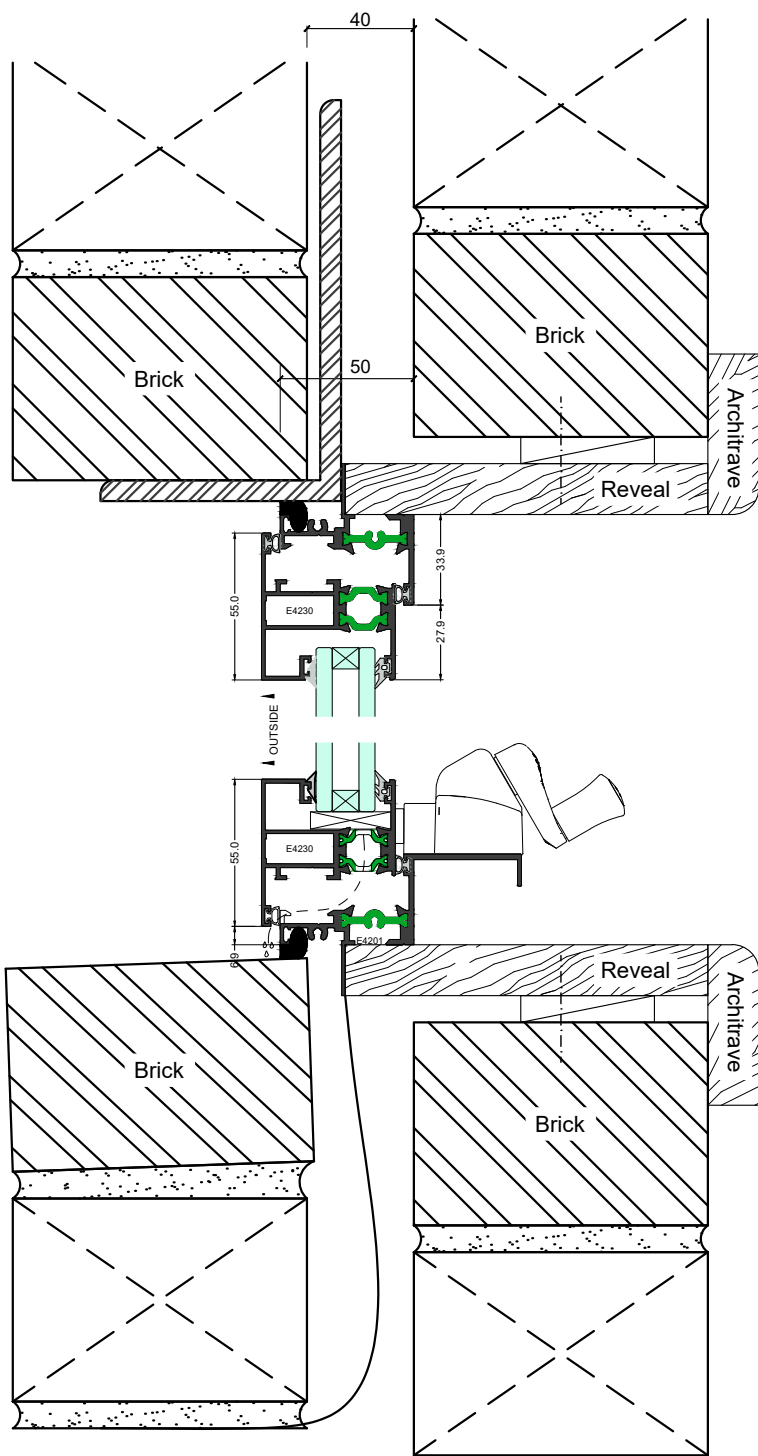
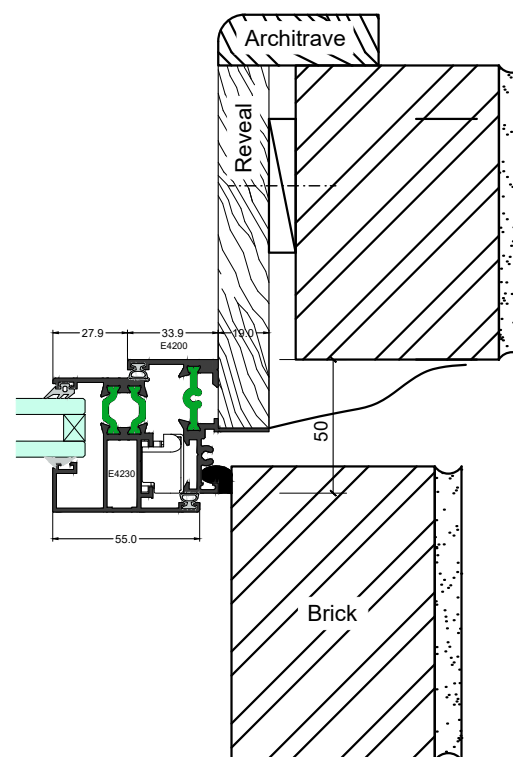
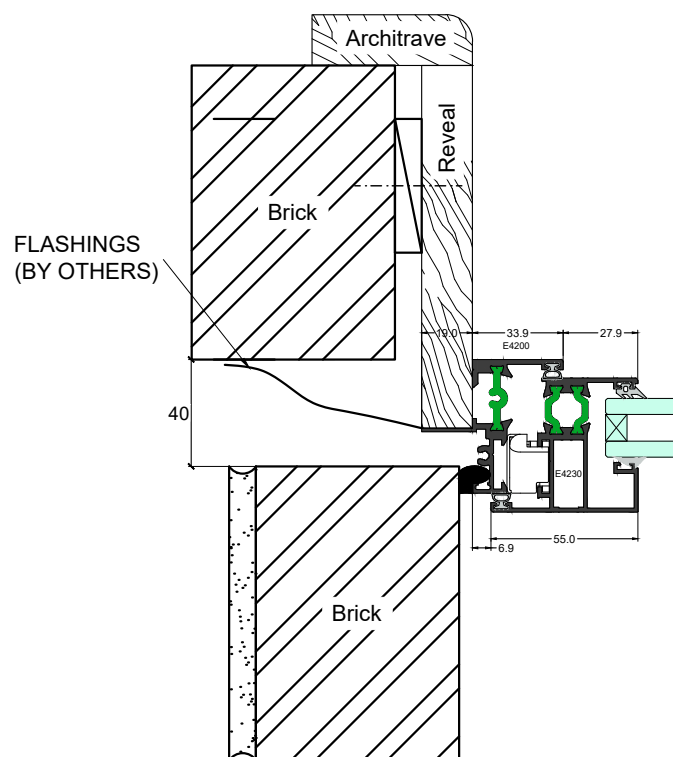
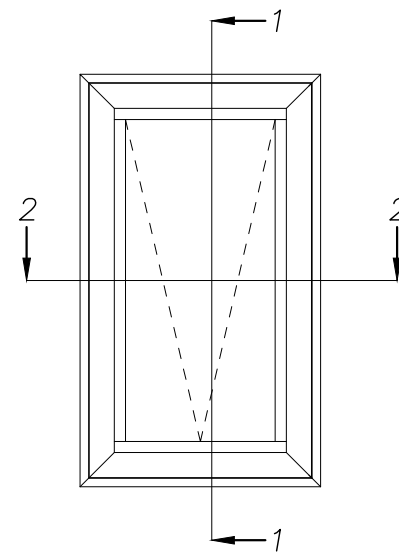


## Wall Connection Detail

-



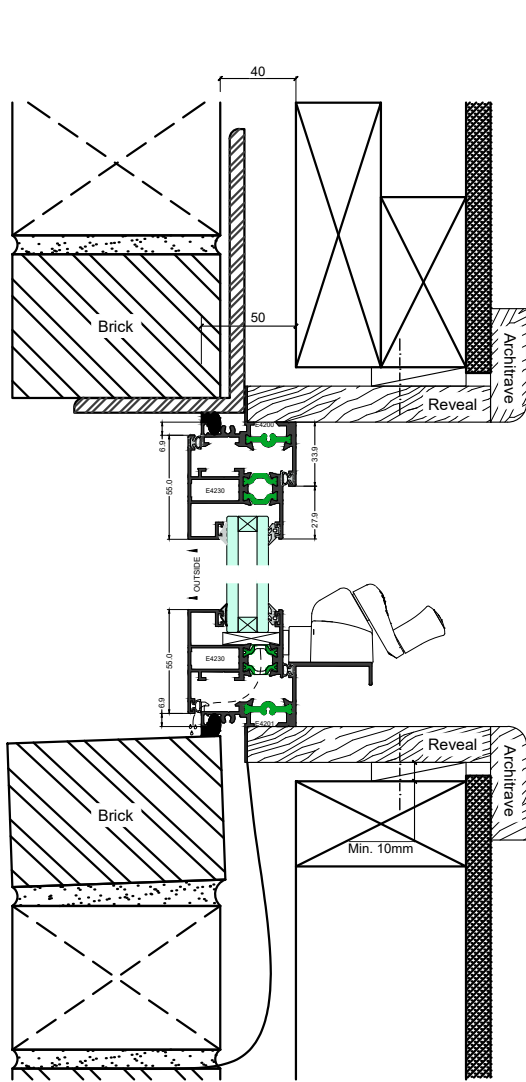
Elevation Section 1-1



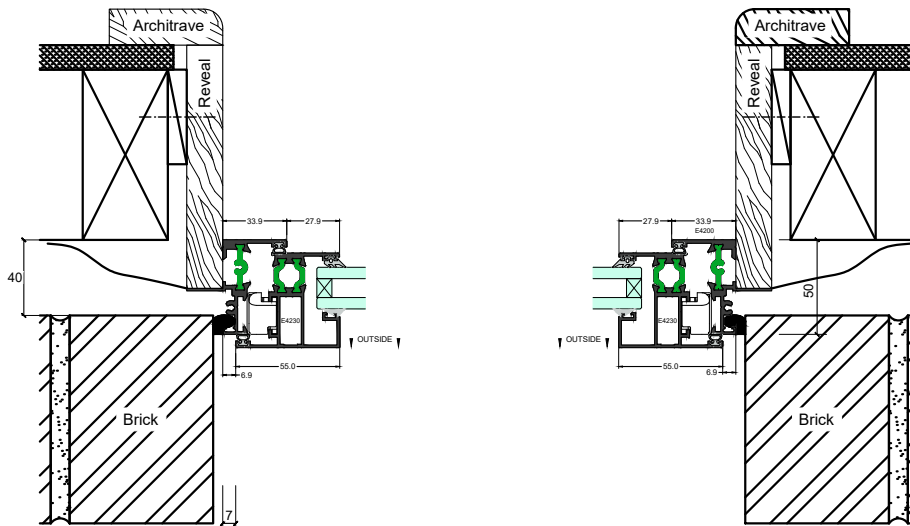
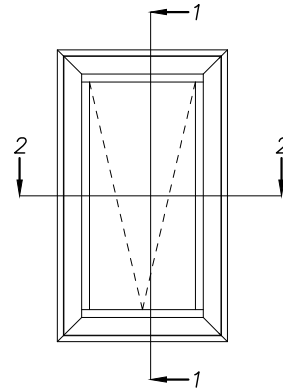
Plan Section 2-2

Wall Connection Detail

-



Elevation Section 1-1



Plan Section 2-2