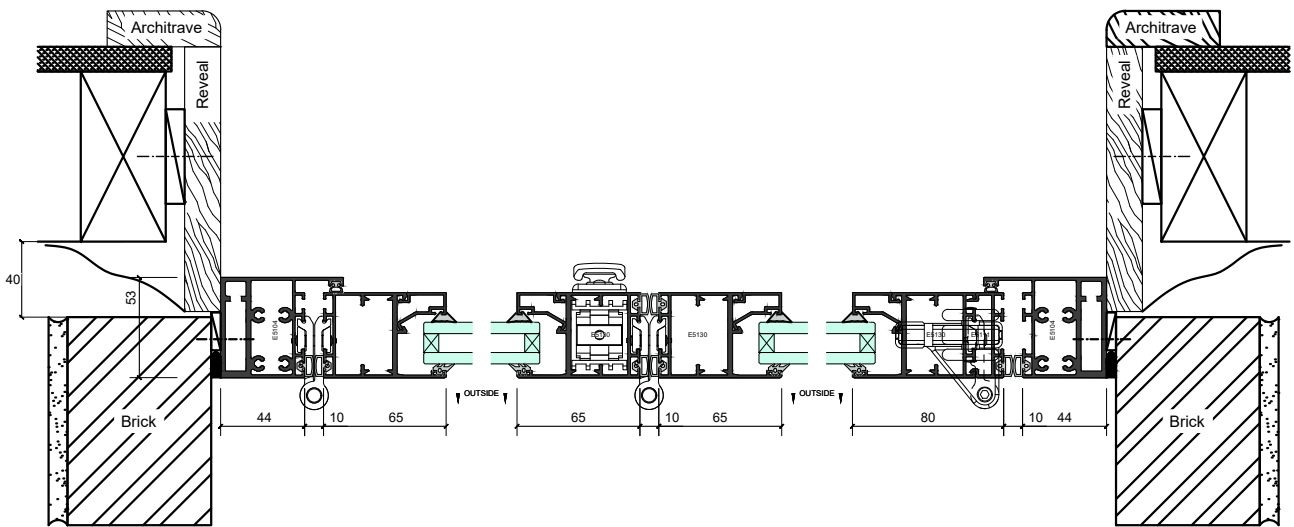


Elevation Section 1-1

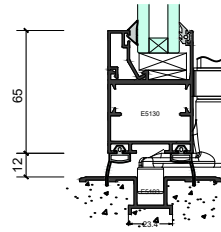
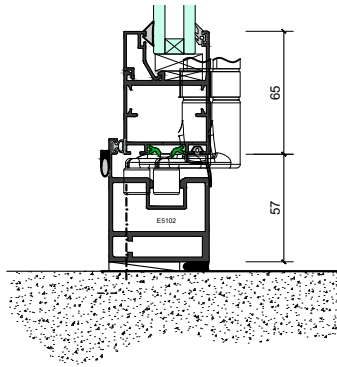
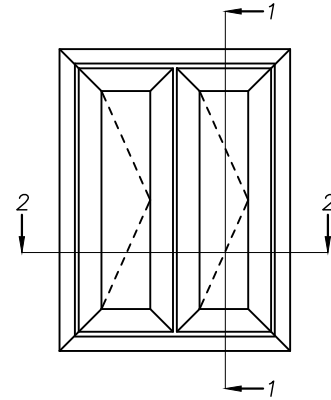
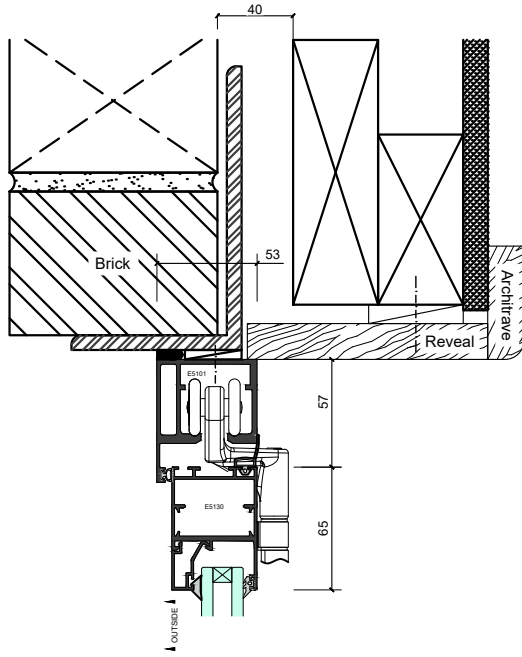
Alternative Sill



Plan Section 2-2

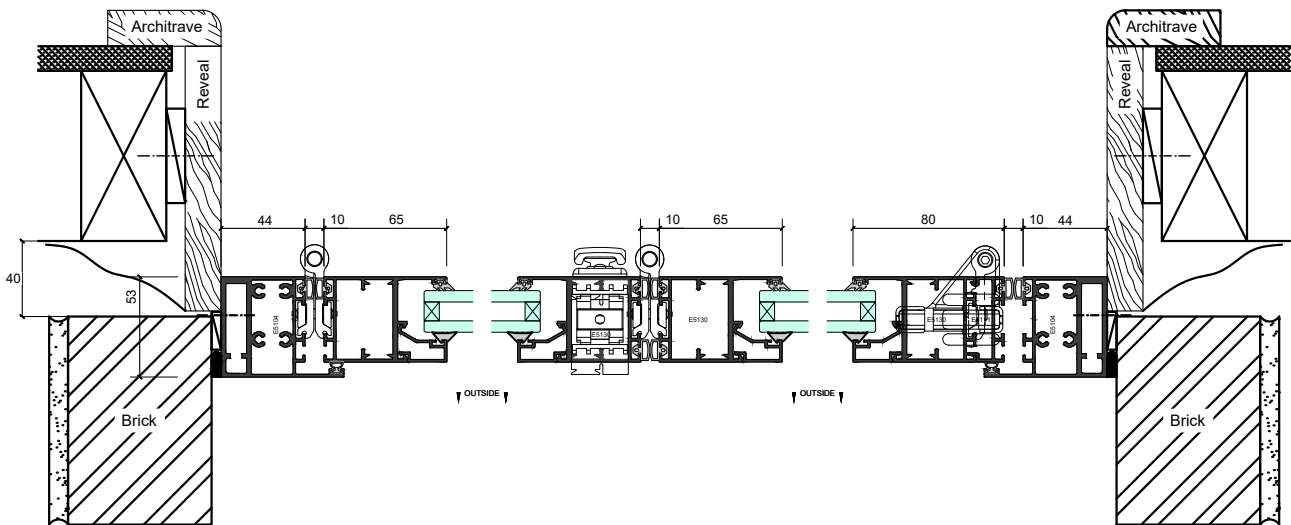
Wall Connection Detail

Inward Open



Alternative Sill

Elevation Section 1-1



Plan Section 2-2