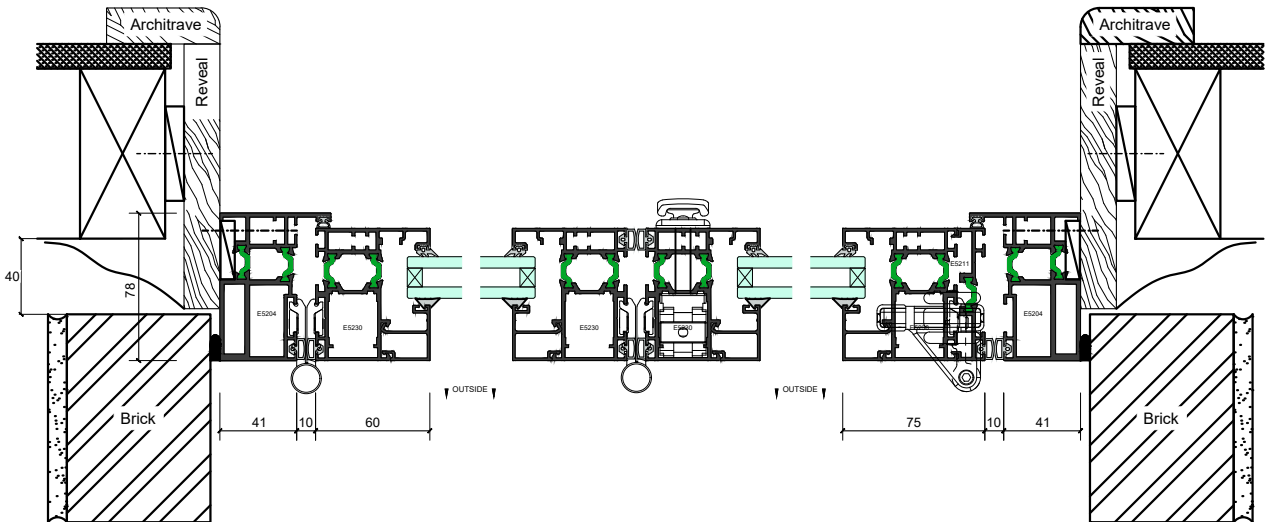
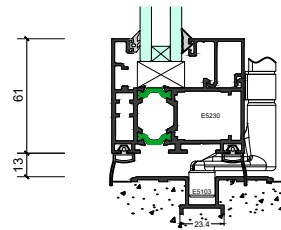
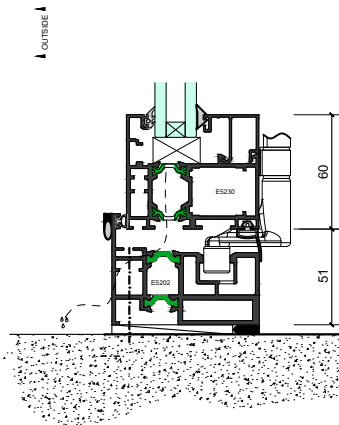
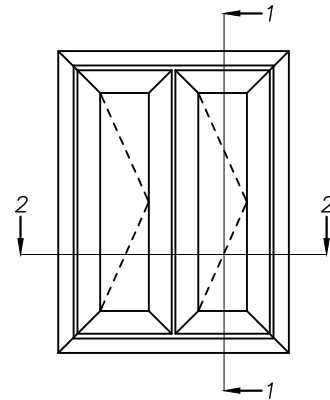
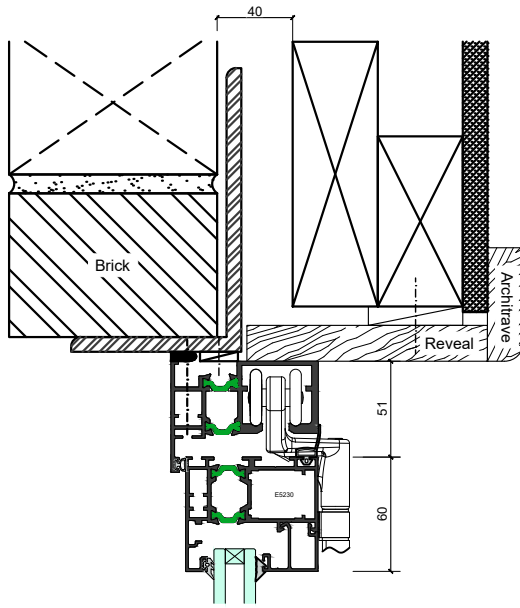


Elevation Section 1-1

Alternative Sill

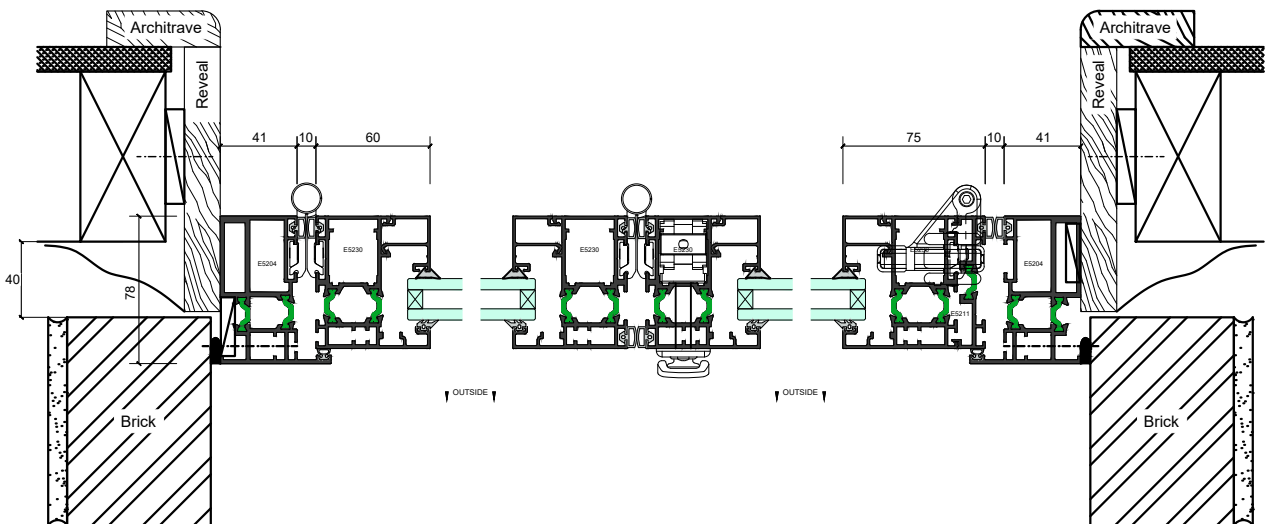


Plan Section 2-2



Elevation Section 1-1

Alternative Sill



Plan Section 2-2