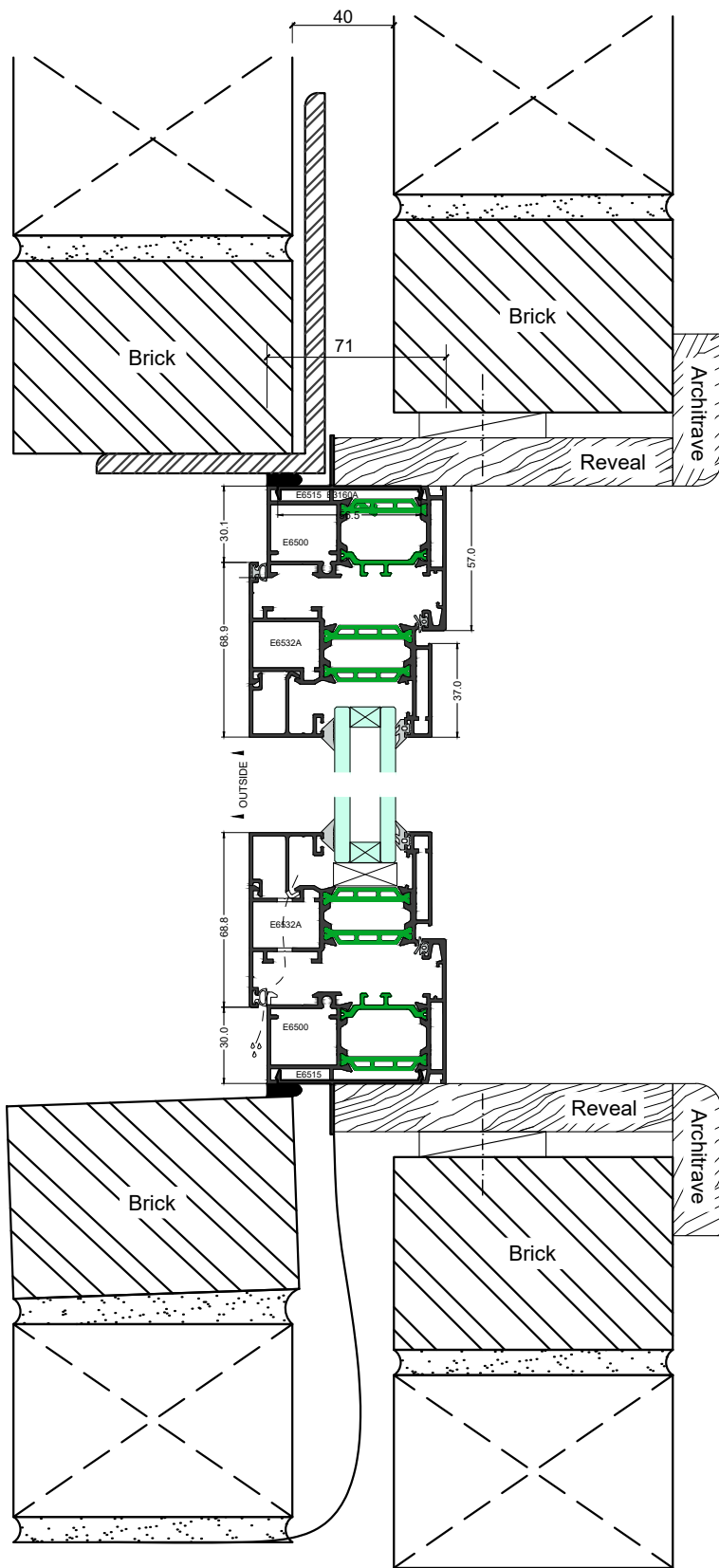


EC65TB

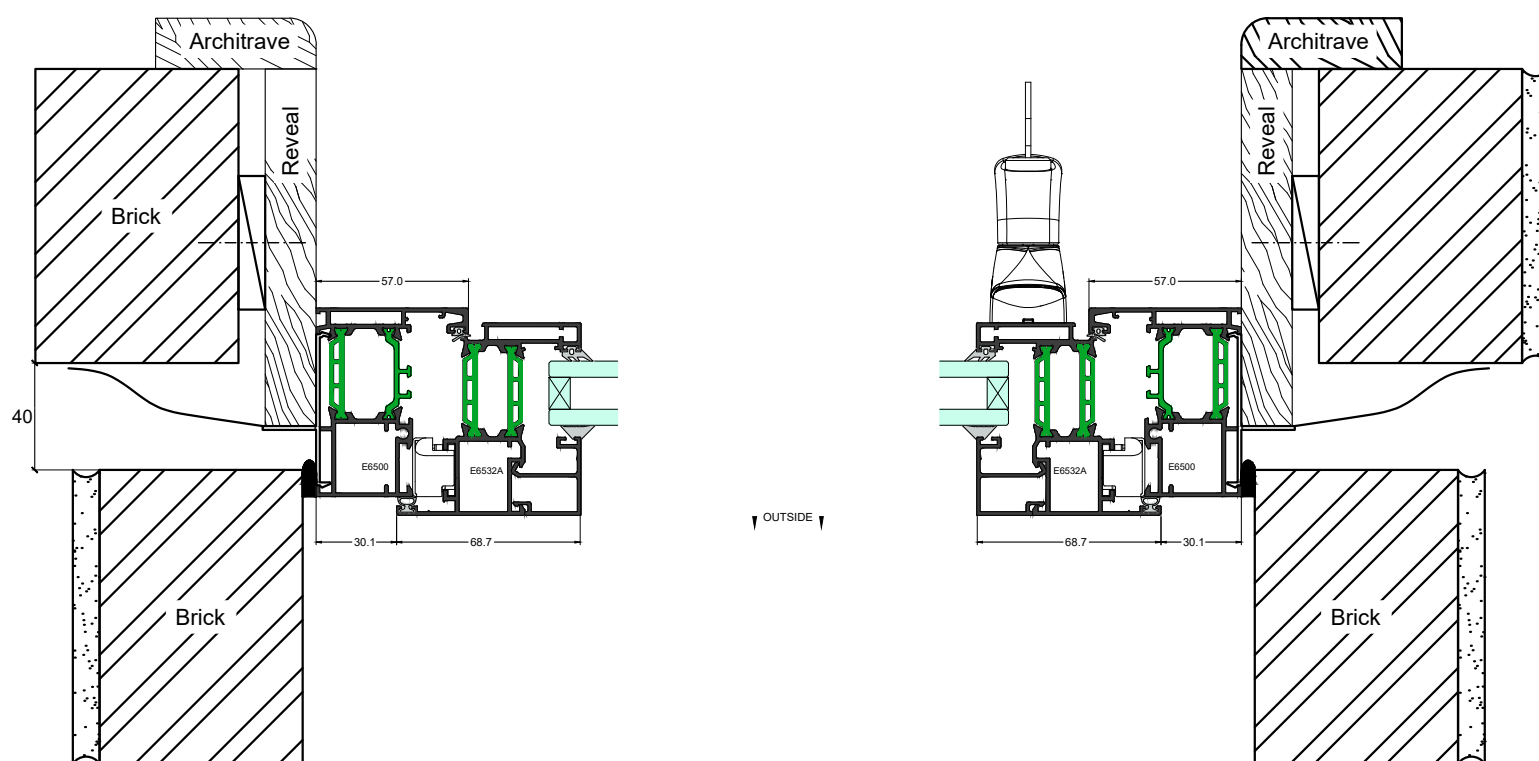
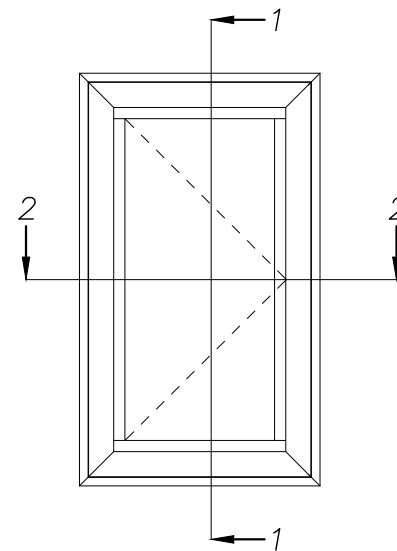
Wall Connection Detail

Casement

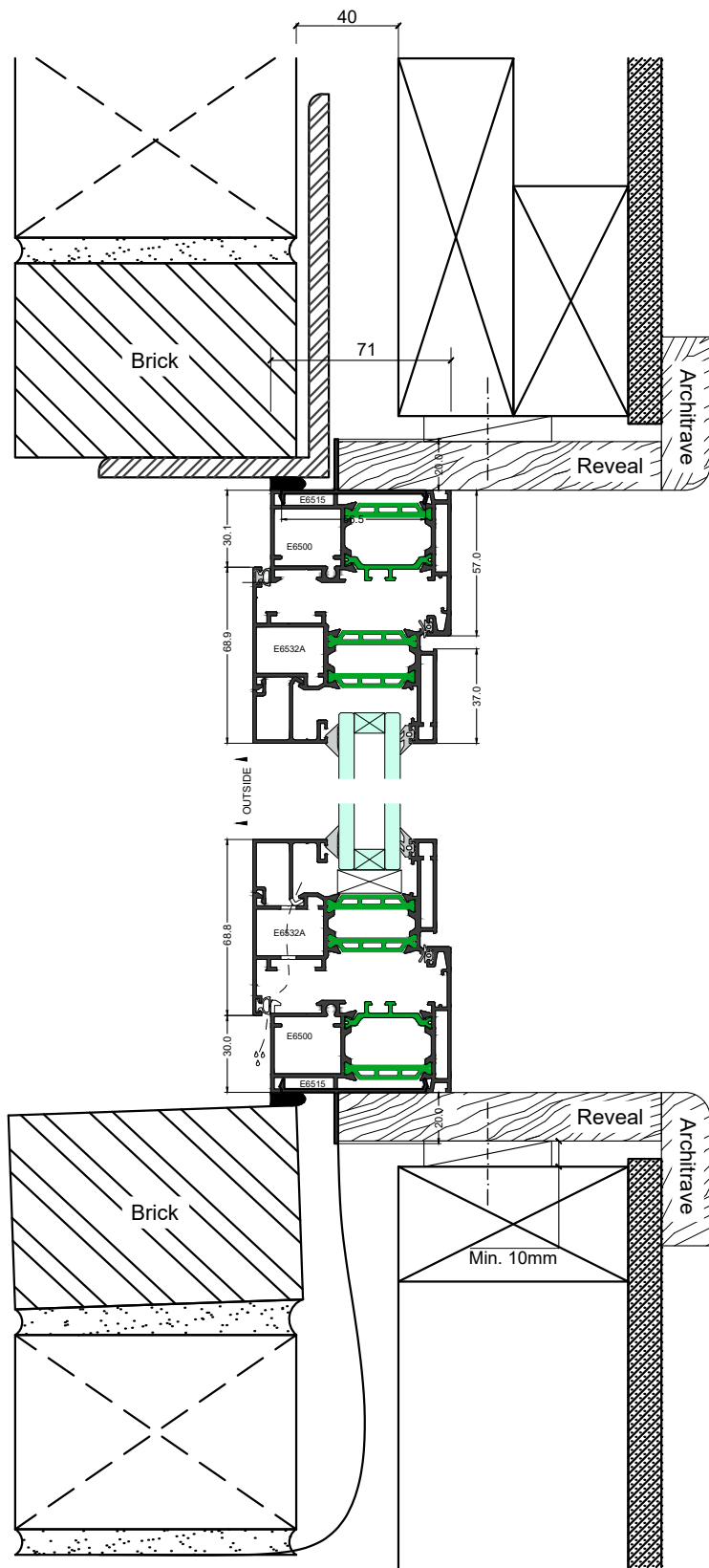
Outward open



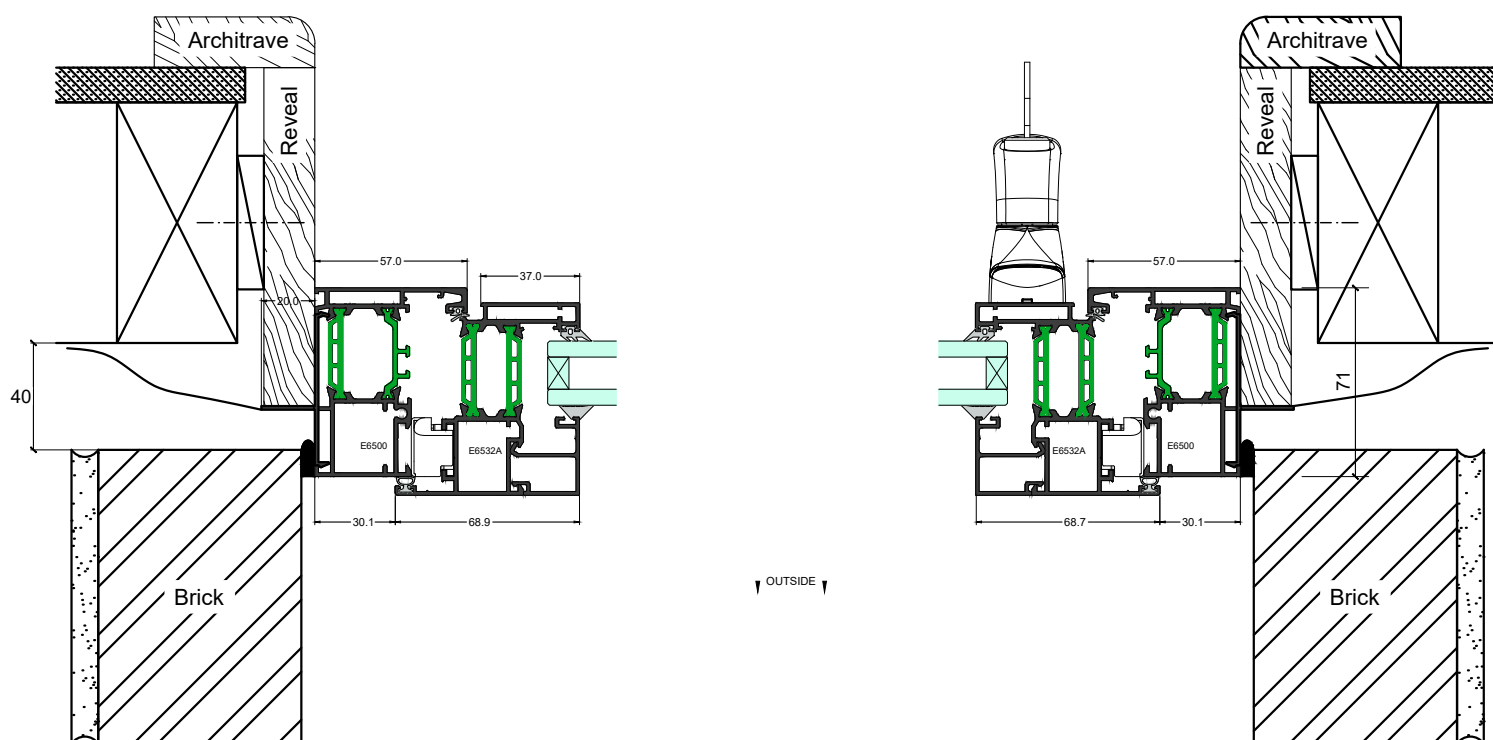
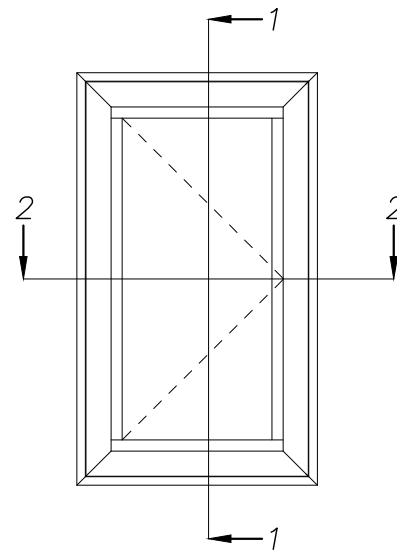
Elevation Section 1-1



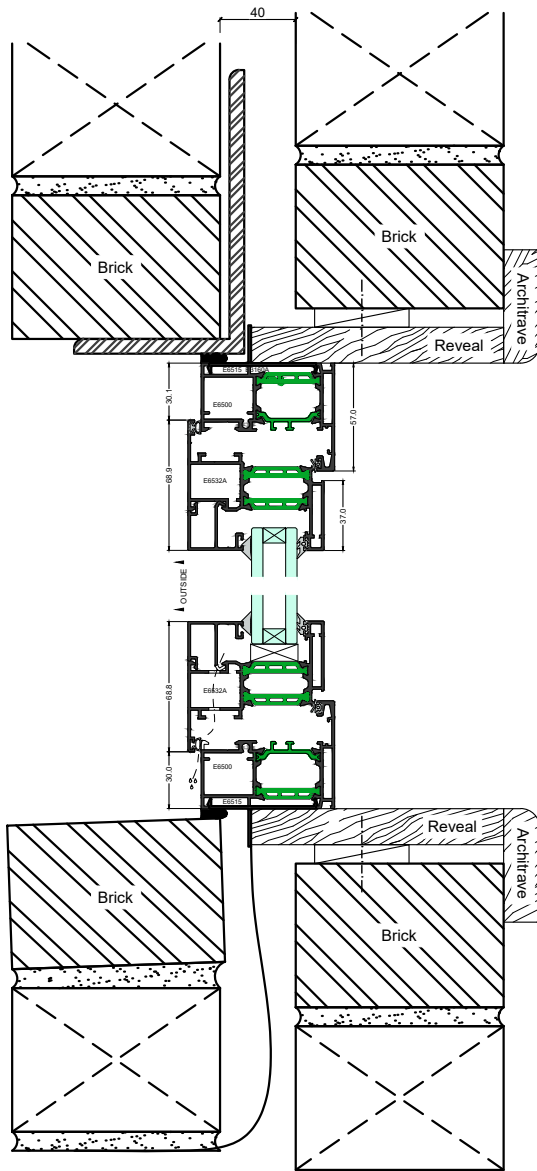
Plan Section 2-2



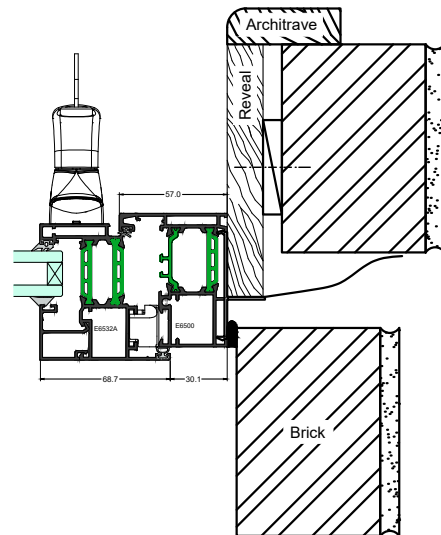
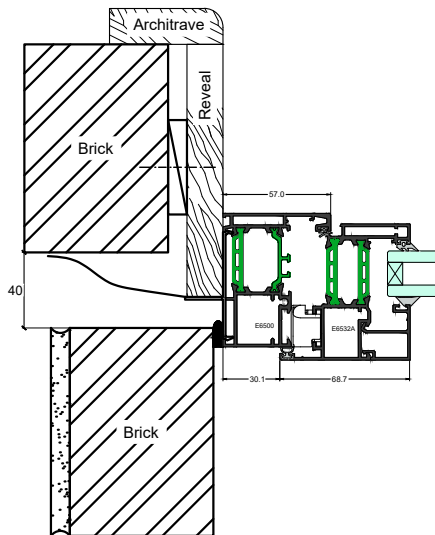
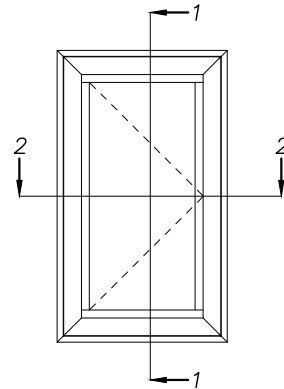
Elevation Section 1-1



Plan Section 2-2



Elevation Section 1-1



Plan Section 2-2

