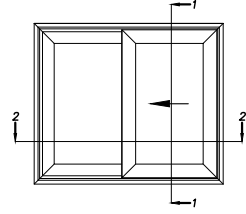
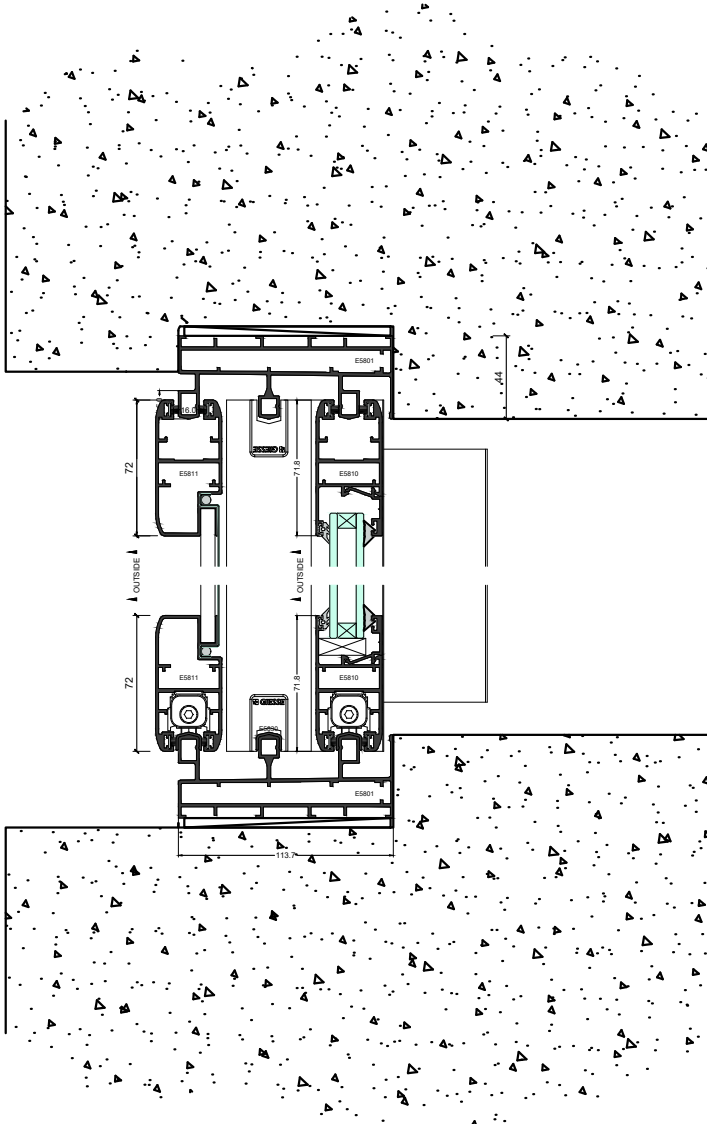
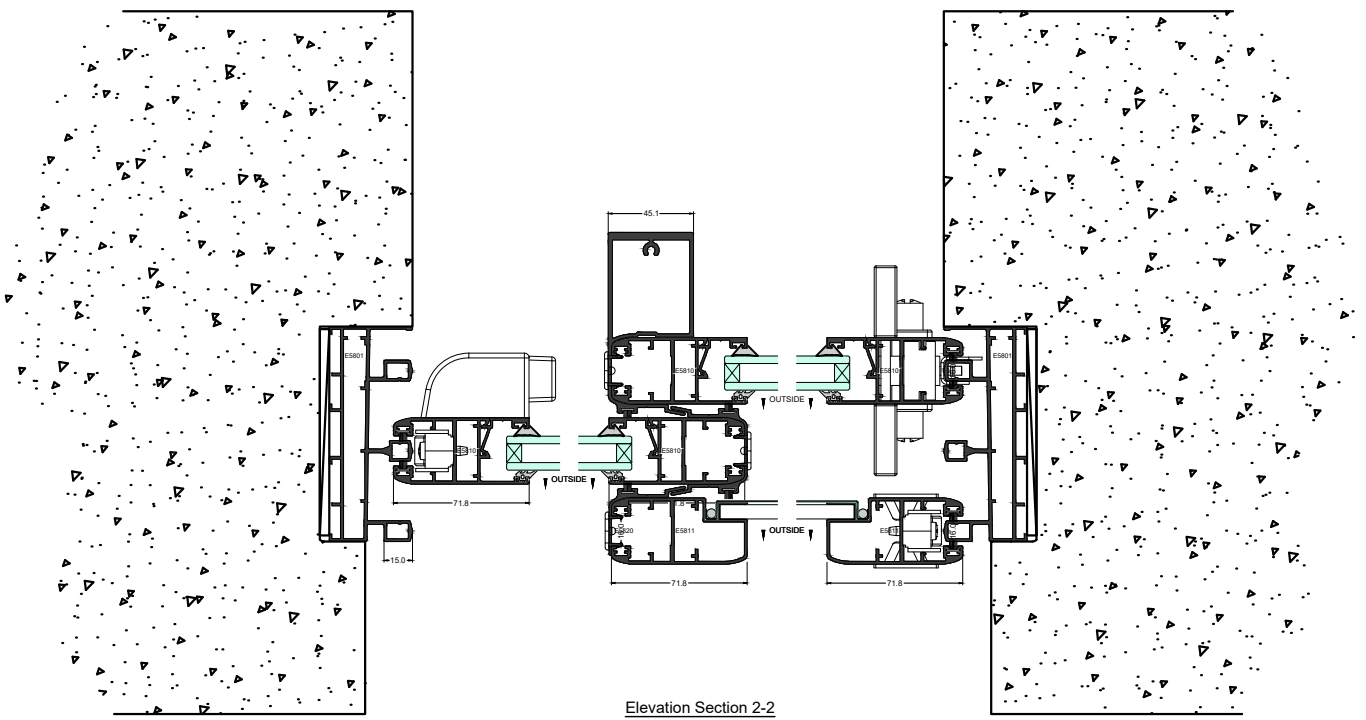


Wall Connection Detail

Fix / Slide



Elevation Section 1-1

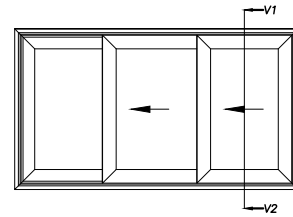


Elevation Section 2-2

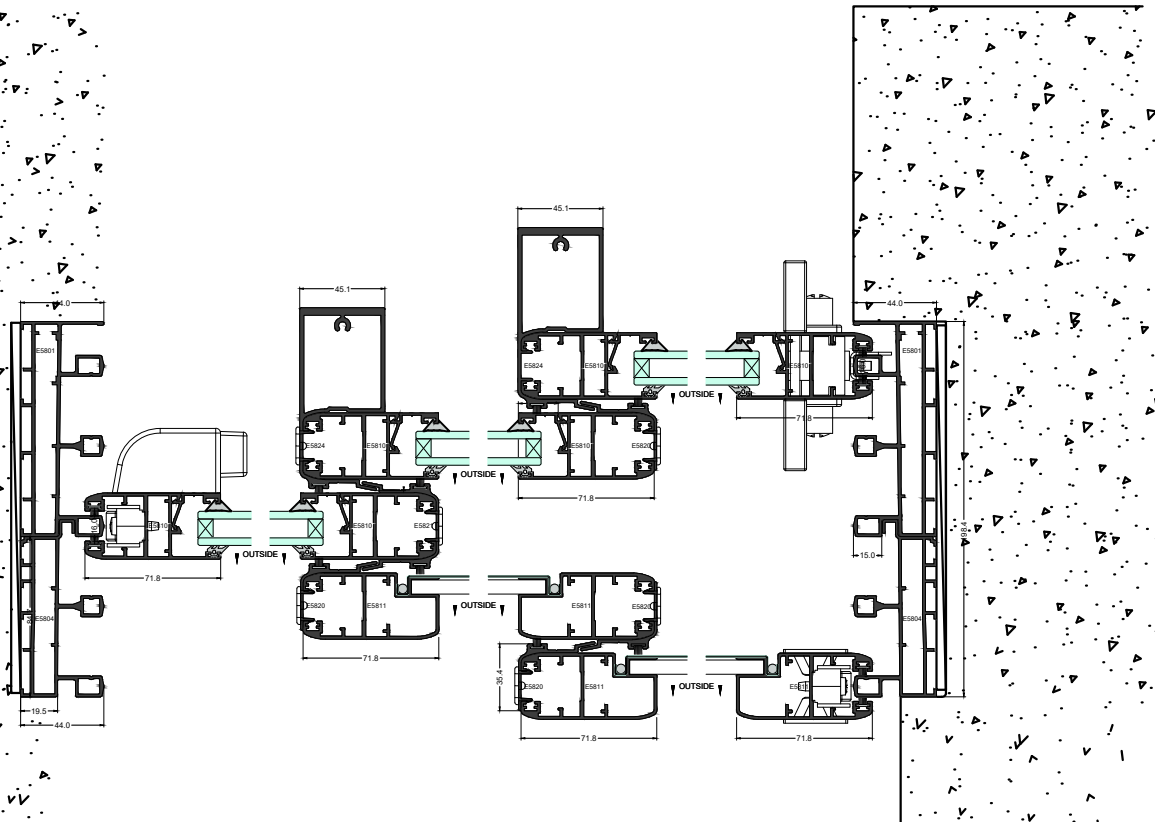


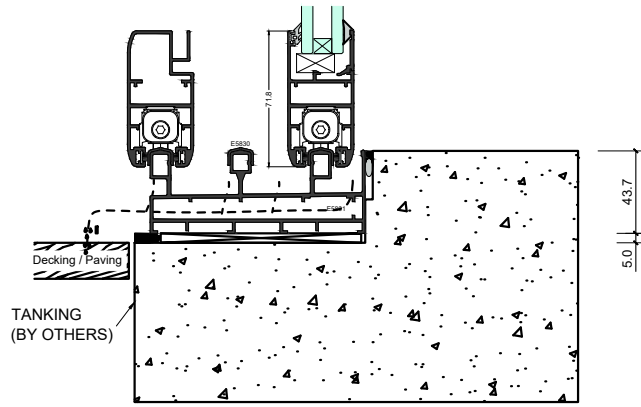
Wall Connection Detail

Fix / Slide / Slide

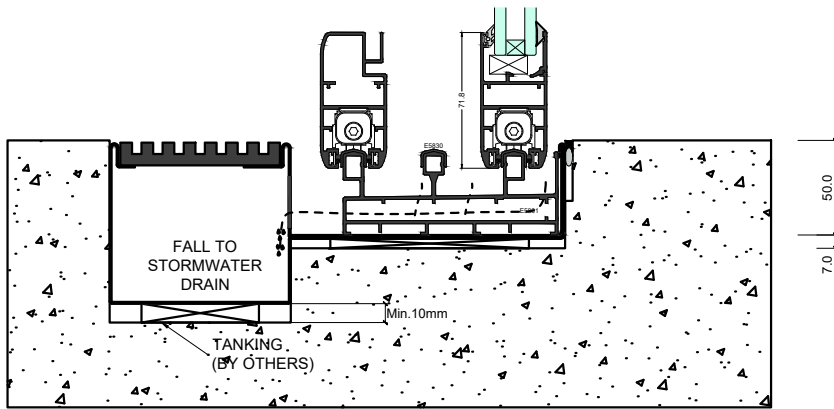


Elevation Section 7-7

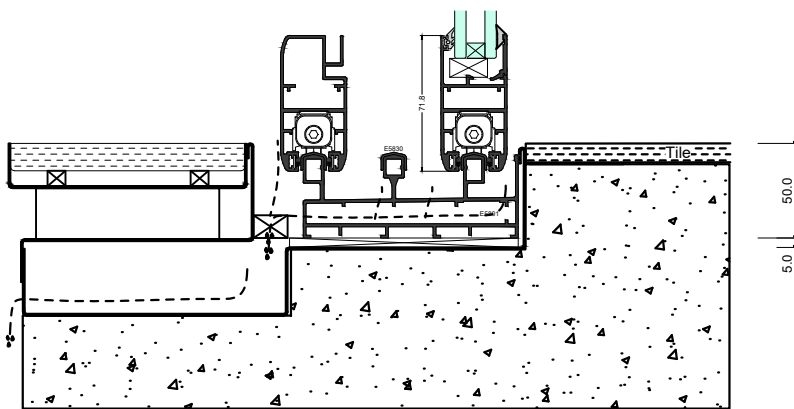




(Rebate Sill Option)



(Stainless Steel Grate Drain Option)



(Stainless Steel Slot Drain Option)