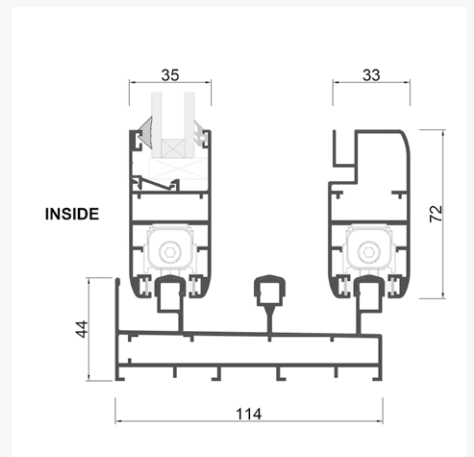
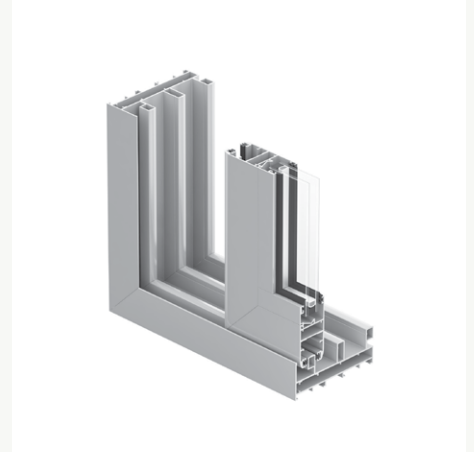


EC95

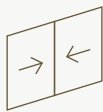
EC95 designed with flexibility in mind this solution allows greater connection between the inside living space and outside nature. It creates generous openings and allows maximum transparency and light penetration.

Energy Rating WERS

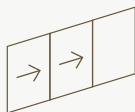
GLAZING	U	SHGC
4mm Soltech / 12mm Argon / 4mm Clear Toughened	3.5	0.36
5mm Clear Toughened / 10mm Argon / 5mm Clear Toughened	4.2	0.56
5mm Energy Tech / 10mm Argon / 5mm Clear Toughened	3.6	0.49
5mm SuperGreen / 10mm Argon / 5mm Clear Toughened	4.2	0.34
6mm Eantage Grey / 10mm Argon / 4mm Clear Toughened	3.6	0.27
6.38mm Clear ComfortPlus / 10mm Argon / 4mm Clear Toughened	3.5	0.47
6mm LightBridge / 10mm Argon / 4mm Clear Toughened	3.4	0.45



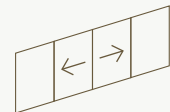
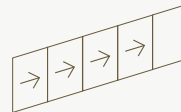
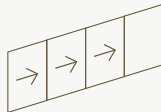
Opening Styles



SLIDING DOOR



STACKING DOOR



BI-PARTING DOOR

Max Panel Width	2000
Max Panel Height	3000
Max Panel Weight	150kg
Track Options	2 / 3 / 4 / 5

Windows for meaningful living.

15 Kelletts Road
 Rowville VIC Australia 3178
 P +61 3 9763 1089
 windows@thermeco.com.au
 thermeco.com.au

