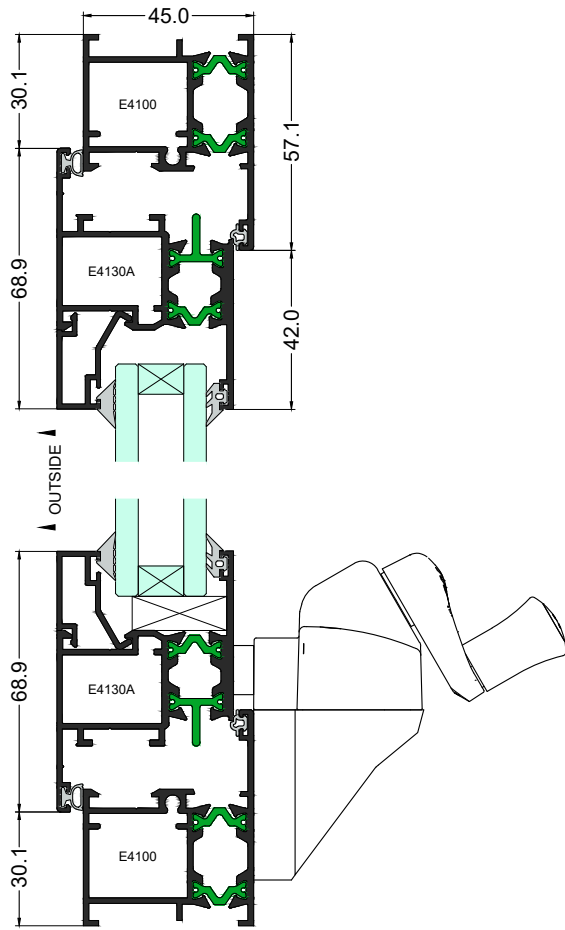
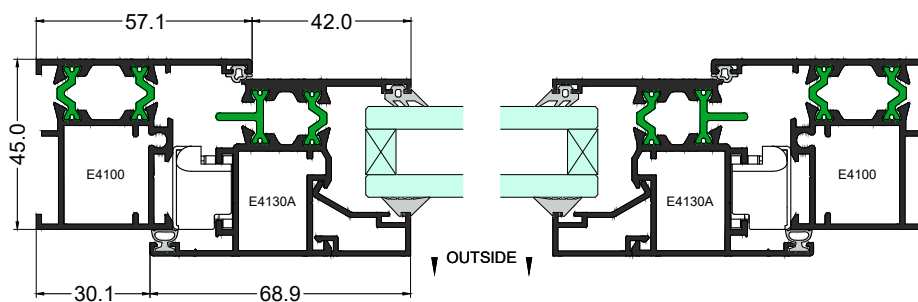
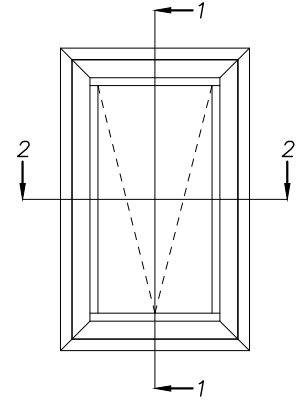


Layouts

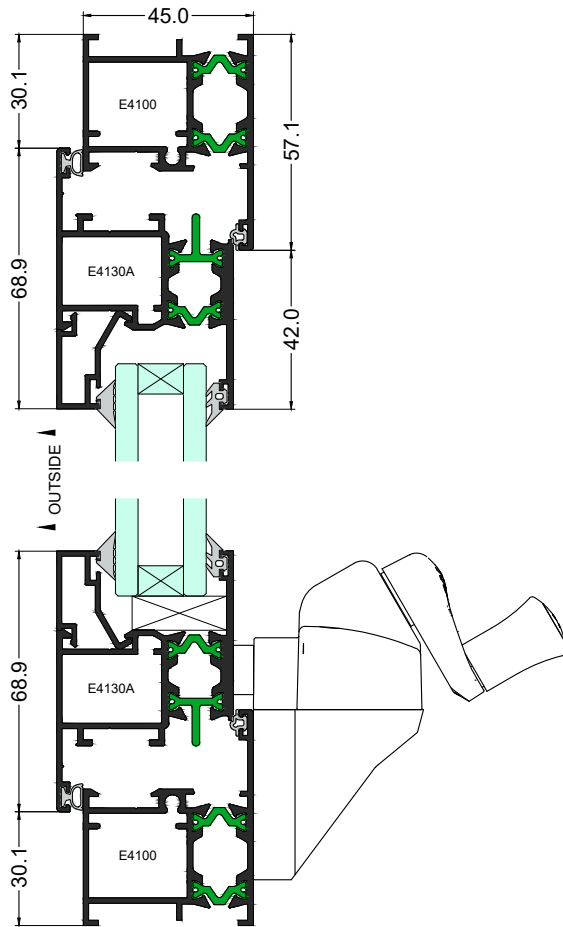


Elevation Section 1-1

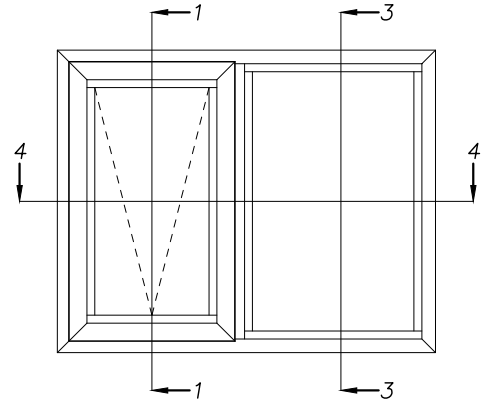


Plan Section 2-2

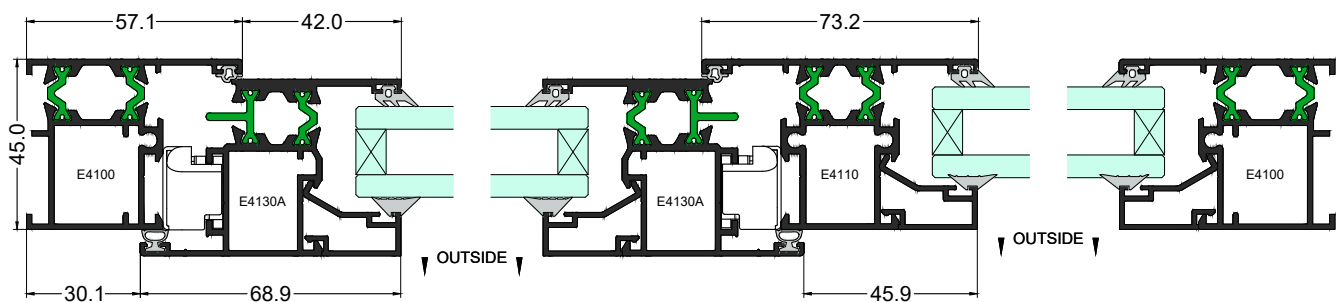
Layouts



Elevation Section 1-1

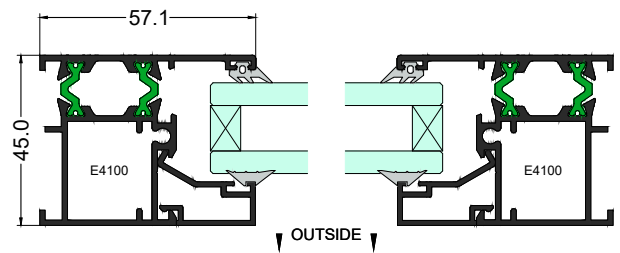
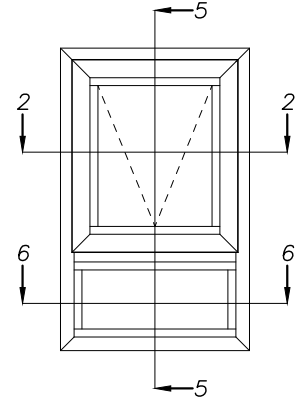
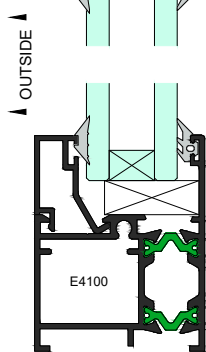
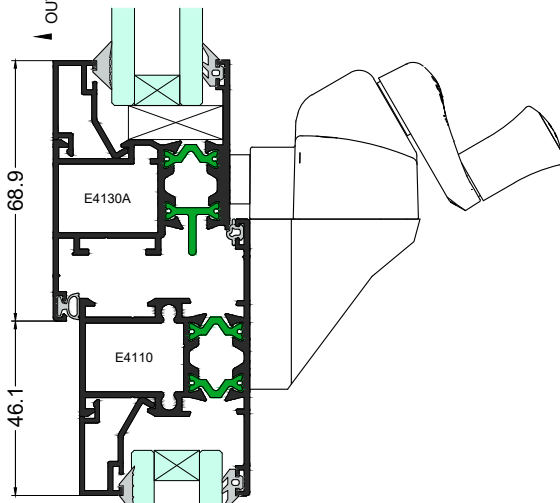
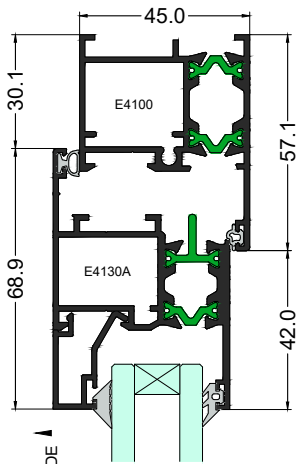


Elevation Section 3-3



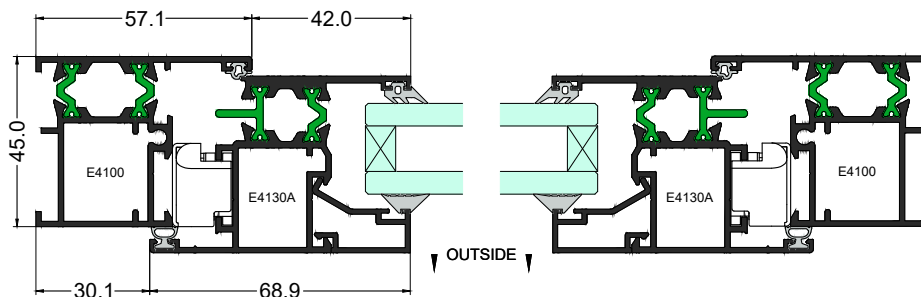
Plan Section 4-4

Layouts



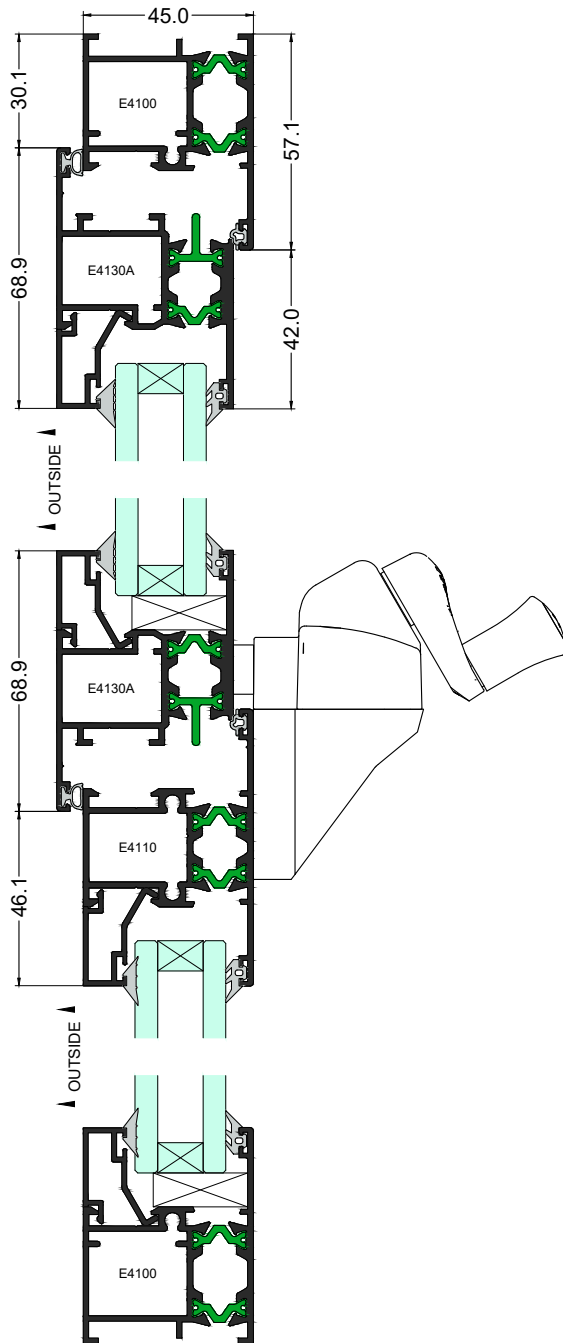
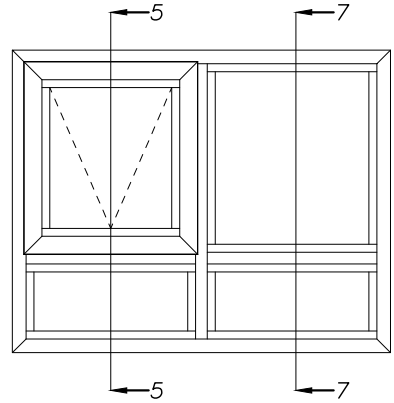
Plan Section 6-6

Elevation Section 5-5

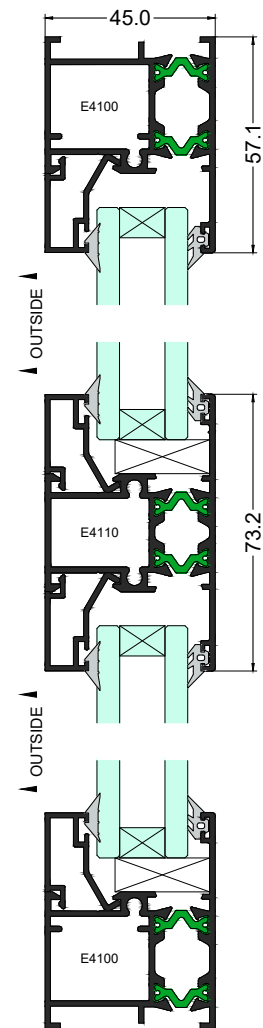


Plan Section 2-2

Layouts

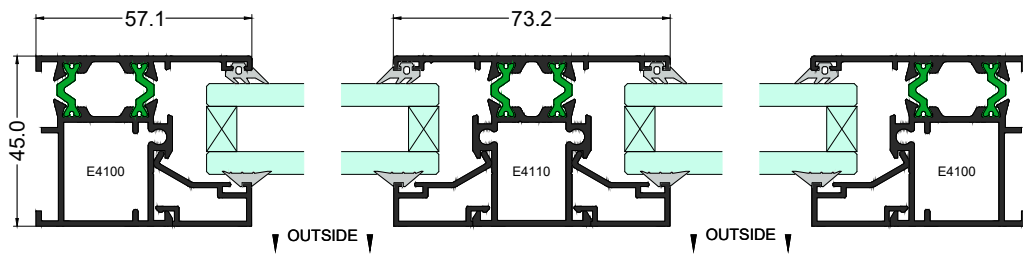
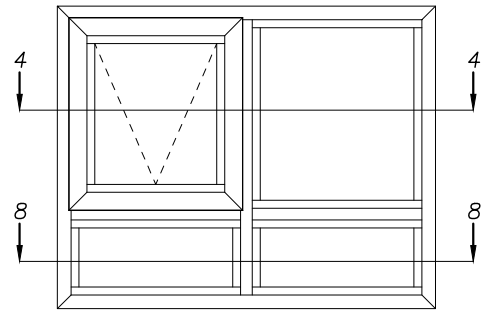


Elevation Section 5-5

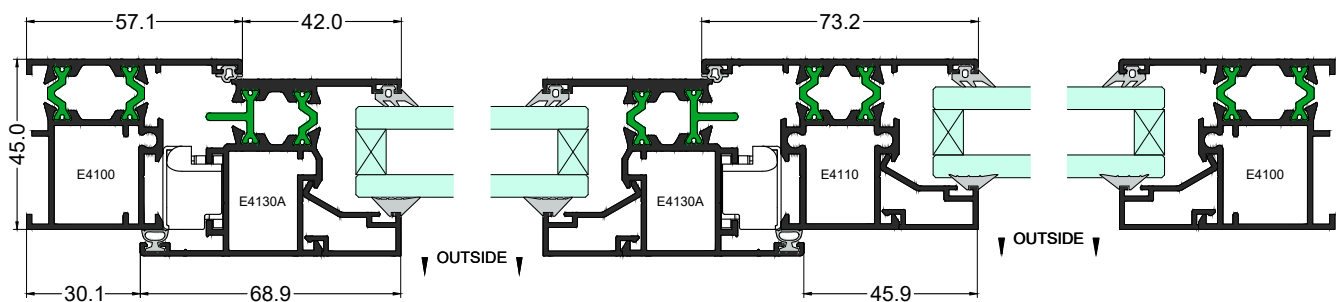


Elevation Section 7-7

Layouts

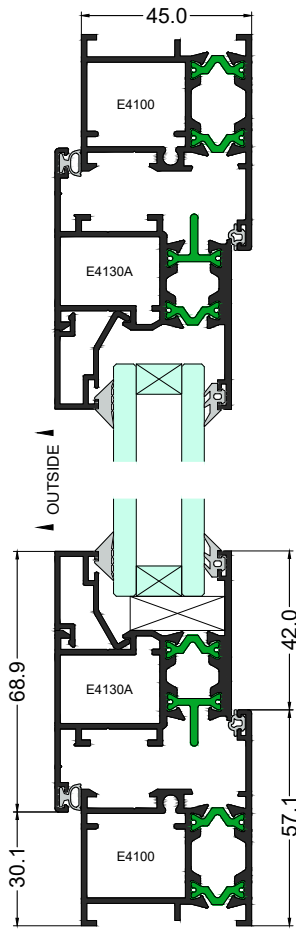


Plan Section 8-8

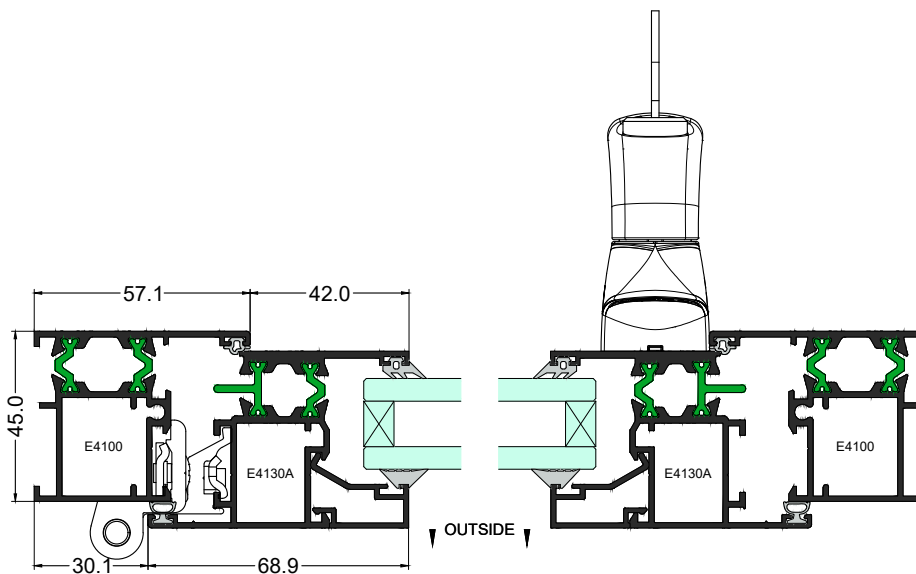
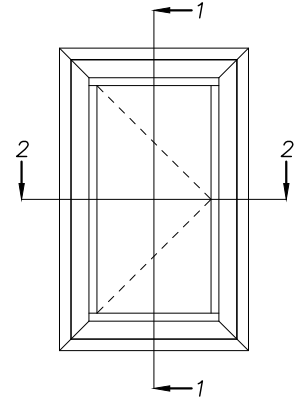


Plan Section 4-4

Layouts

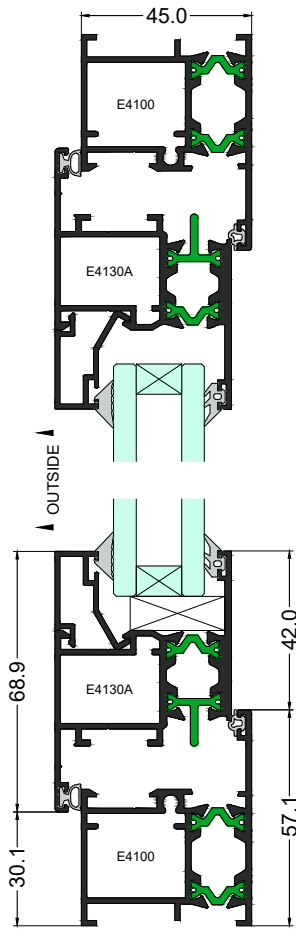


Elevation Section 1-1

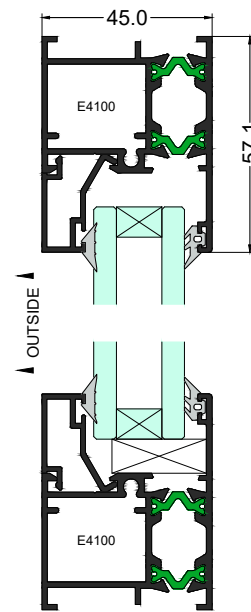
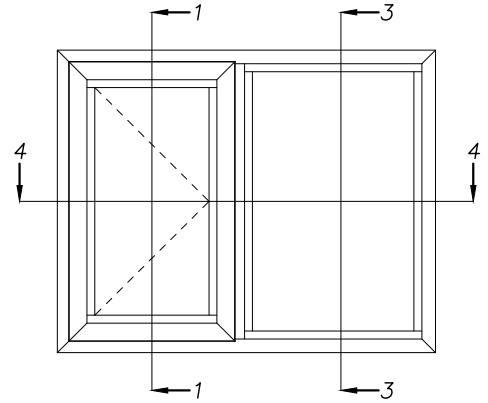


Plan Section 2-2

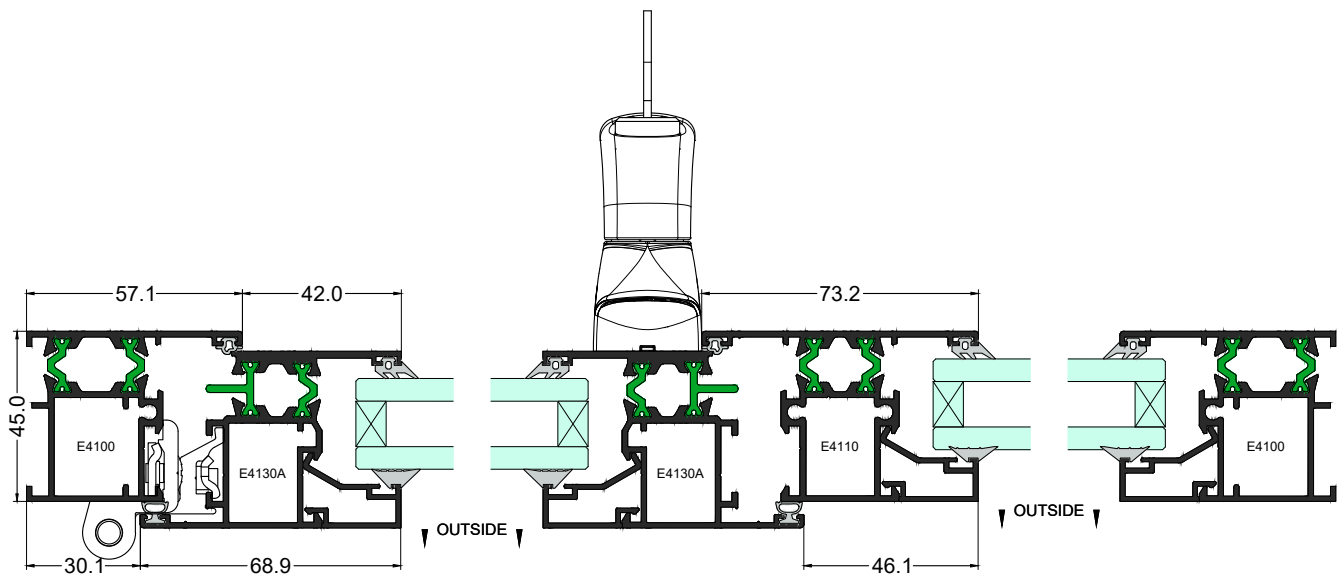
Layouts



Elevation Section 1-1

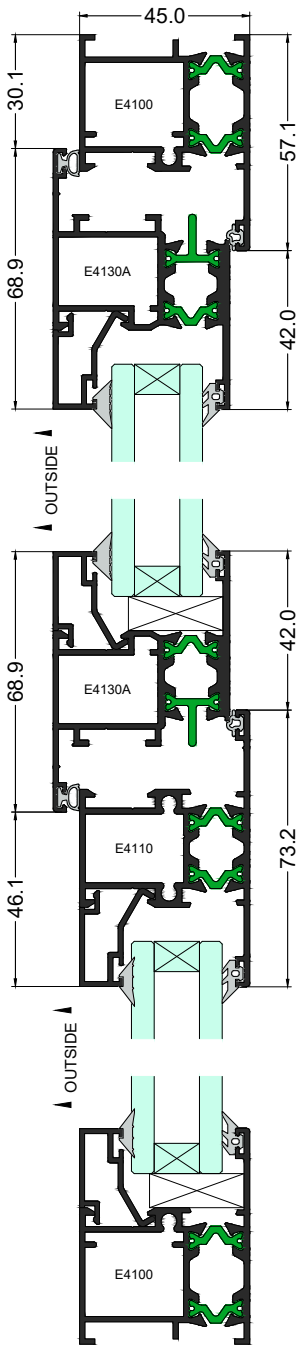


Elevation Section 3-3

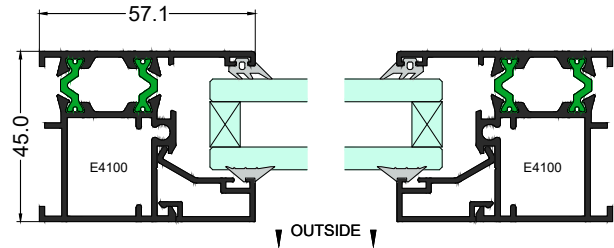
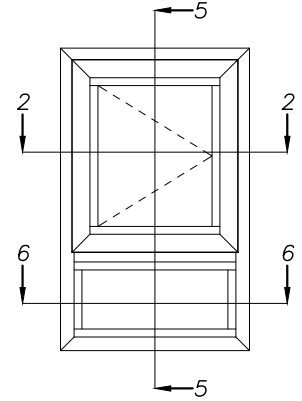


Plan Section 4-4

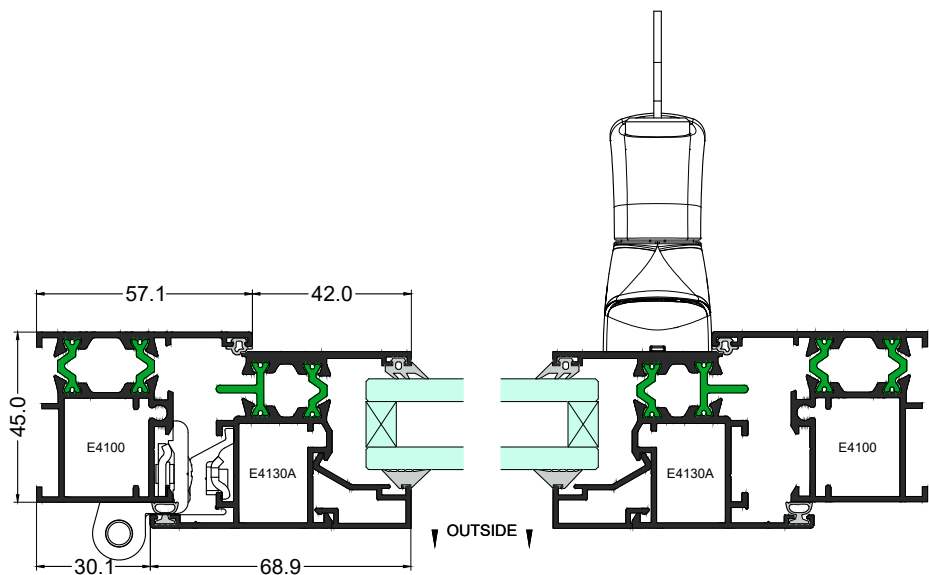
Layouts



Elevation Section 5-5

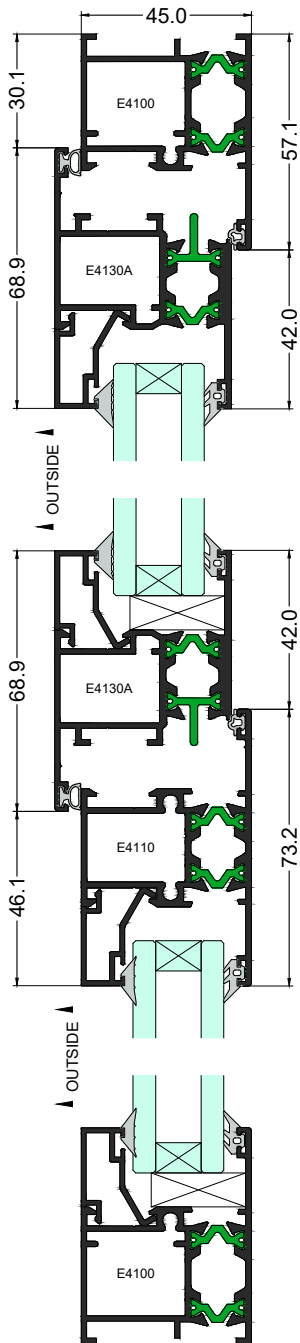
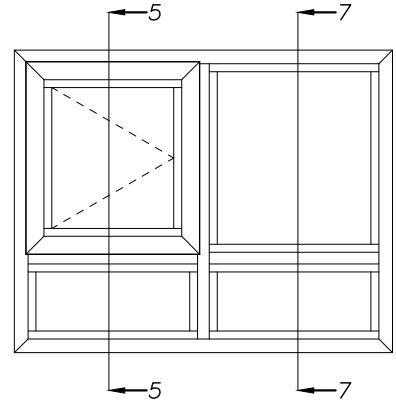


Plan Section 6-6

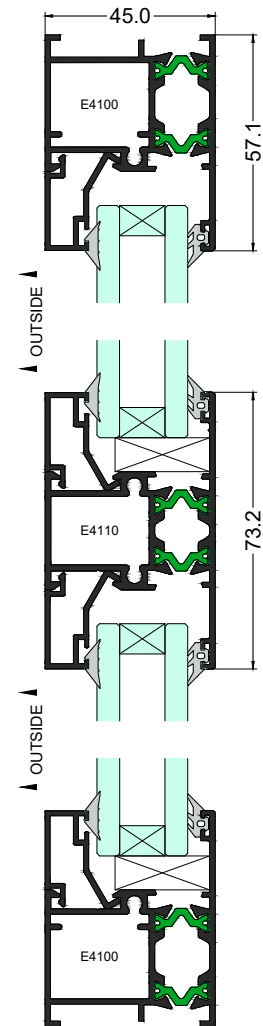


Plan Section 2-2

Layouts

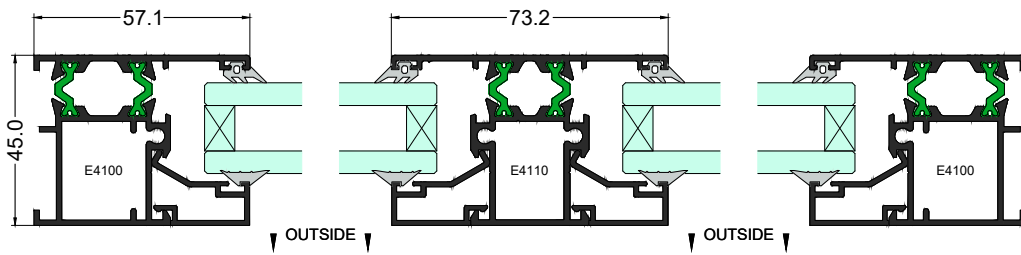
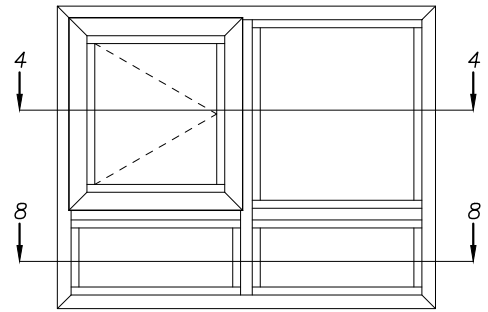


Elevation Section 5-5

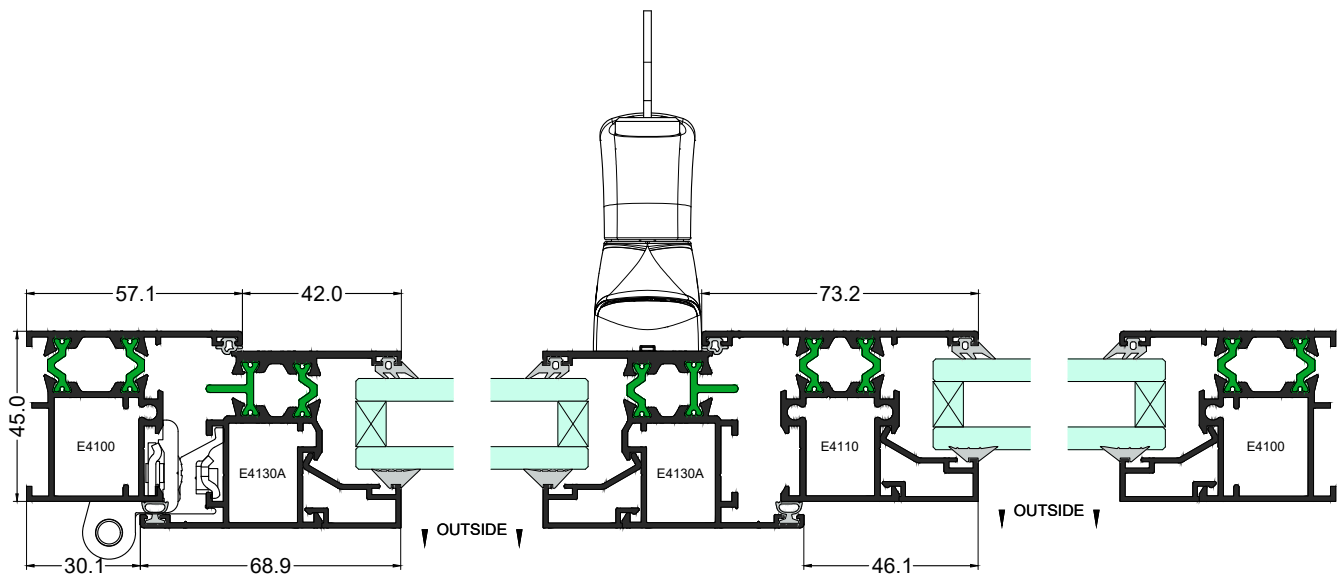


Elevation Section 7-7

Layouts

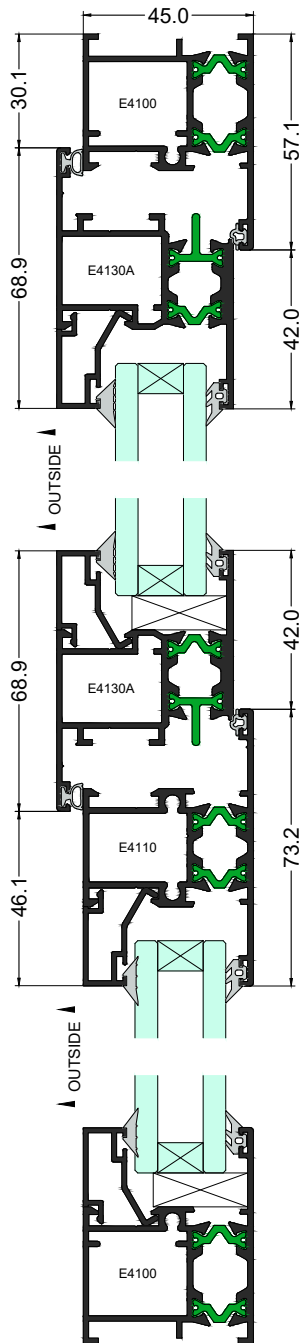
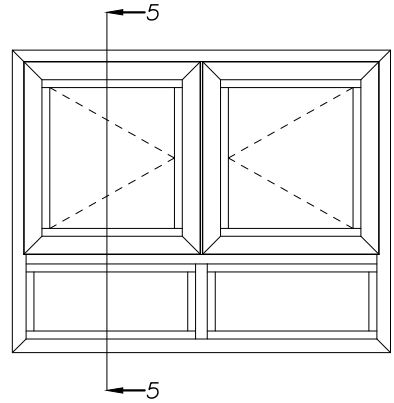


Plan Section 8-8



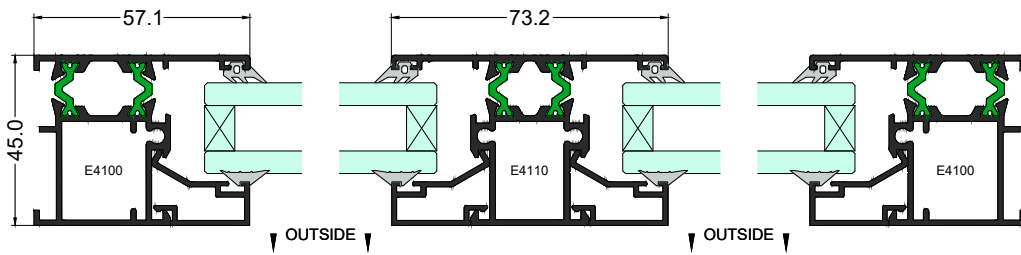
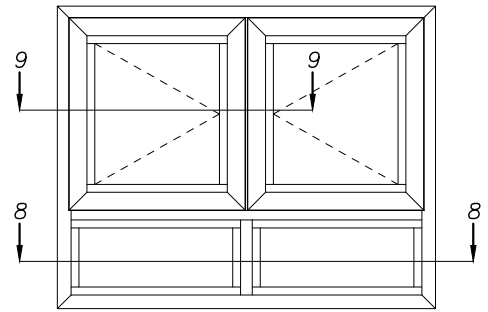
Plan Section 4-4

Layouts

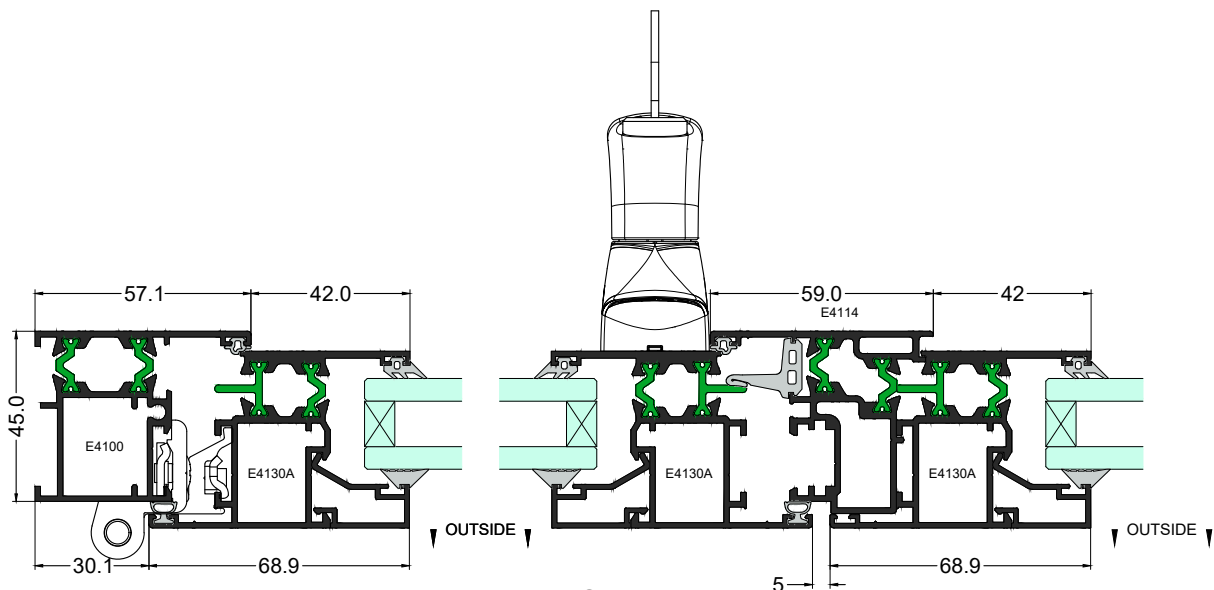


Elevation Section 5-5

Layouts



Plan Section 8-8

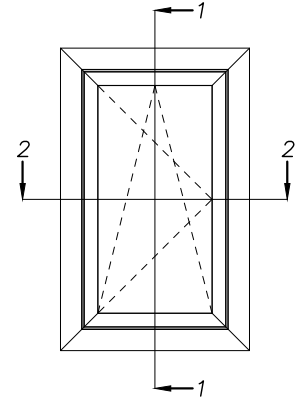
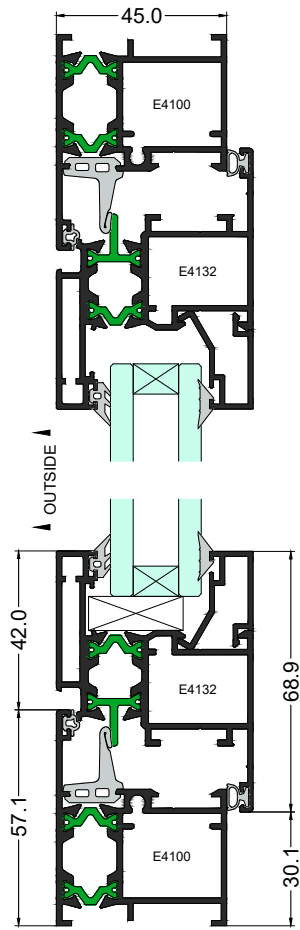


Plan Section 9-9

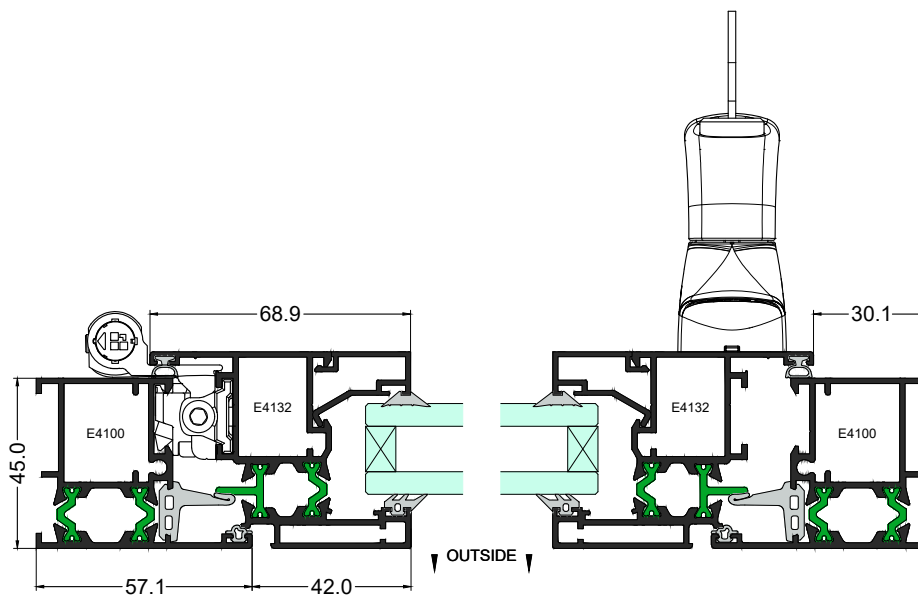
EC45TB

TILT & TURN

Layouts

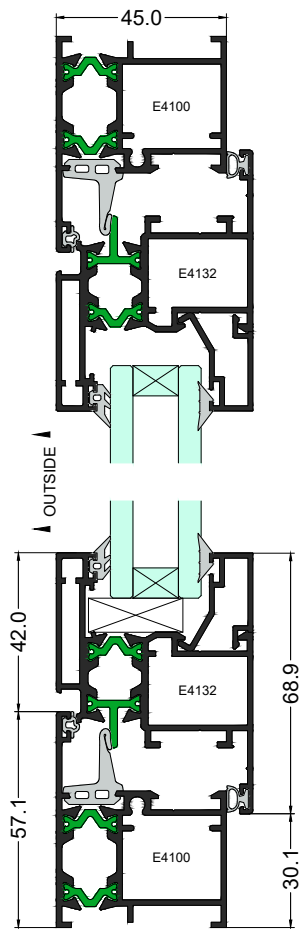


Elevation Section 1-1

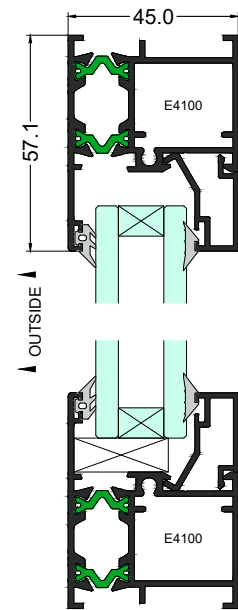
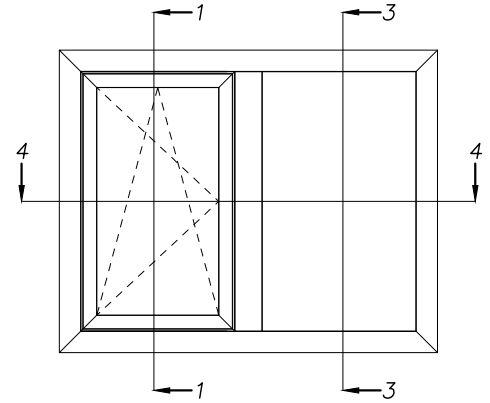


Plan Section 2-2

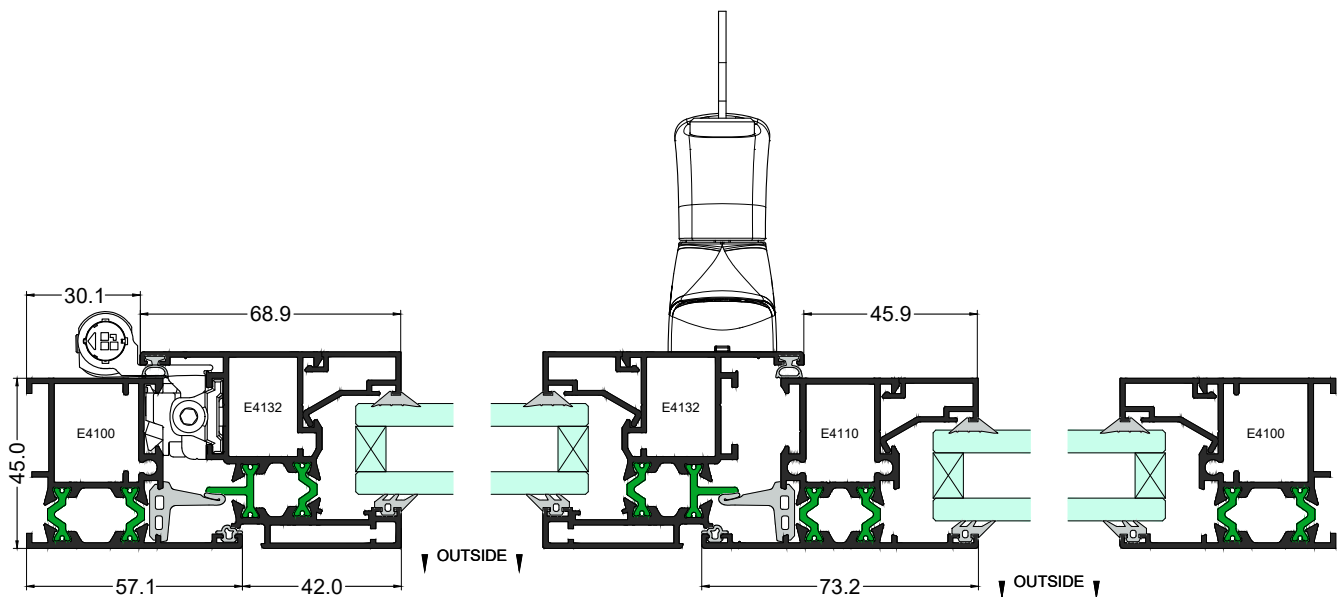
Layouts



Elevation Section 1-1

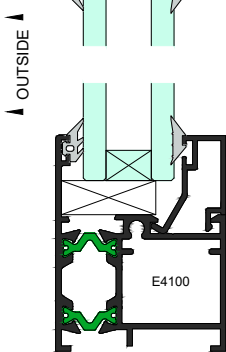
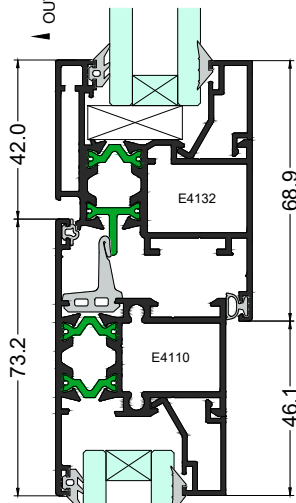
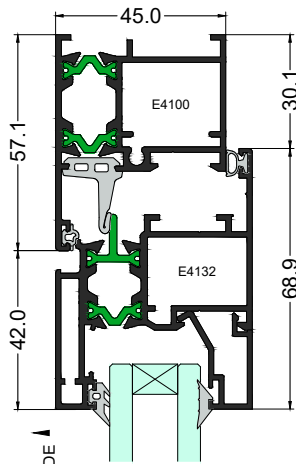


Elevation Section 3-3

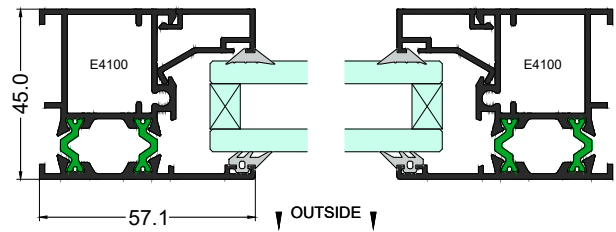
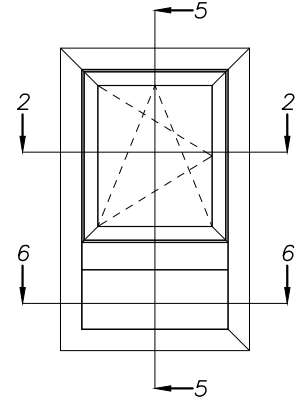


Plan Section 4-4

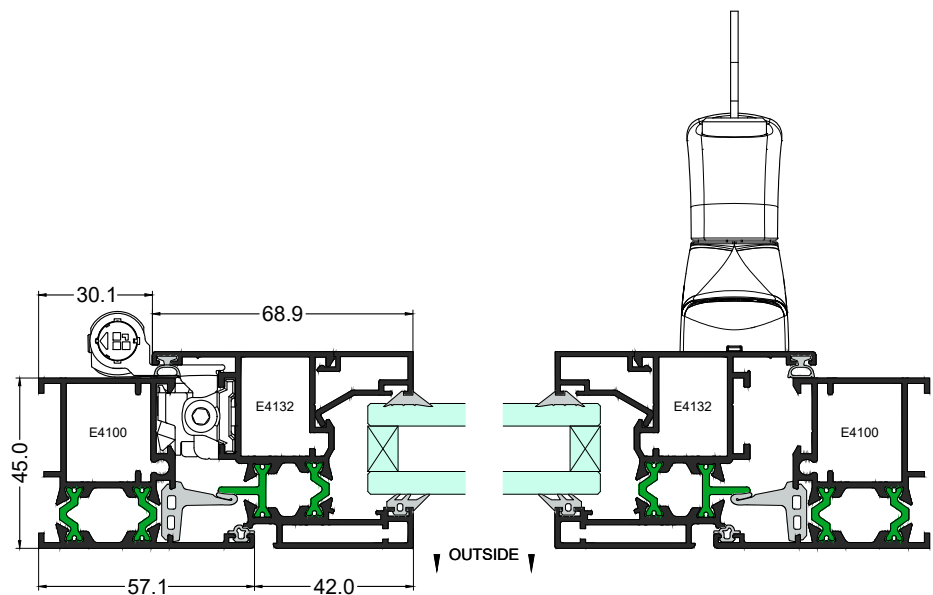
Layouts



Elevation Section 5-5

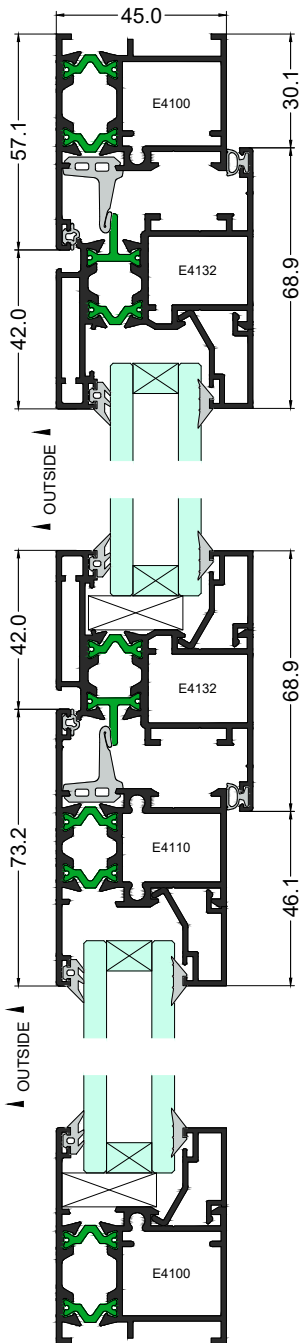
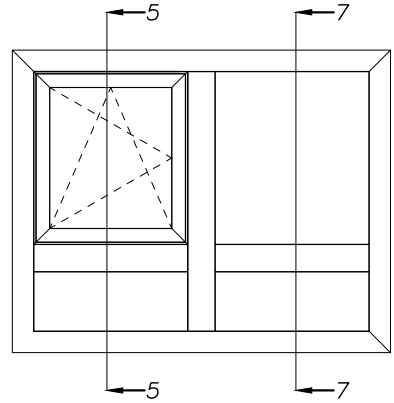


Plan Section 6-6

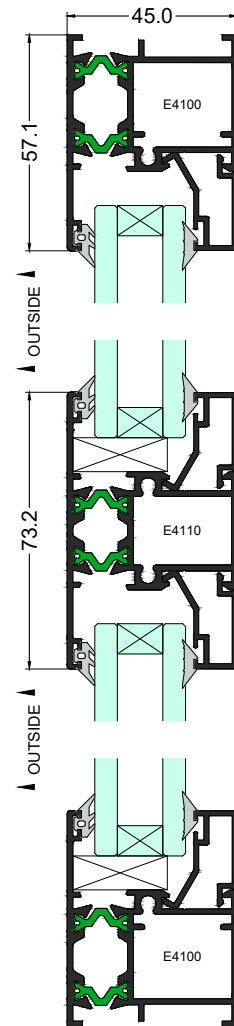


Plan Section 2-2

Layouts

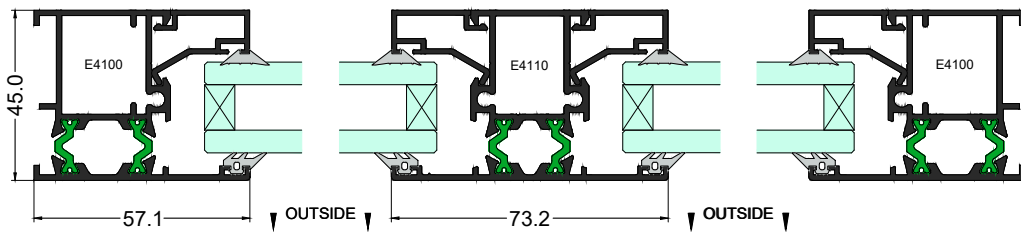
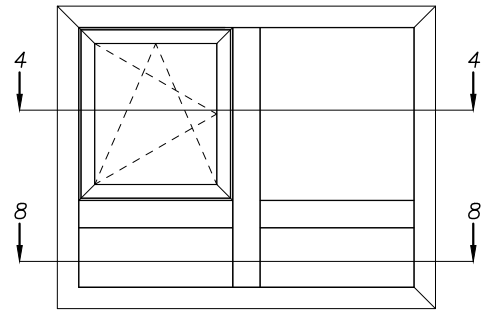


Elevation Section 5-5

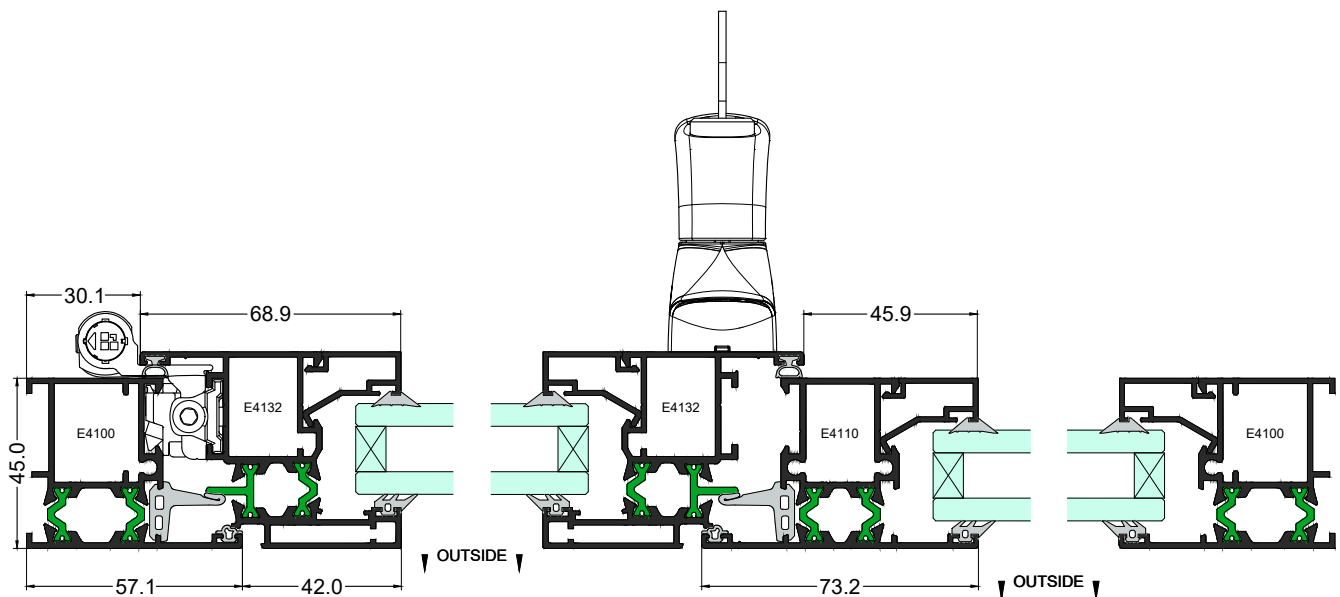


Elevation Section 7-7

Layouts

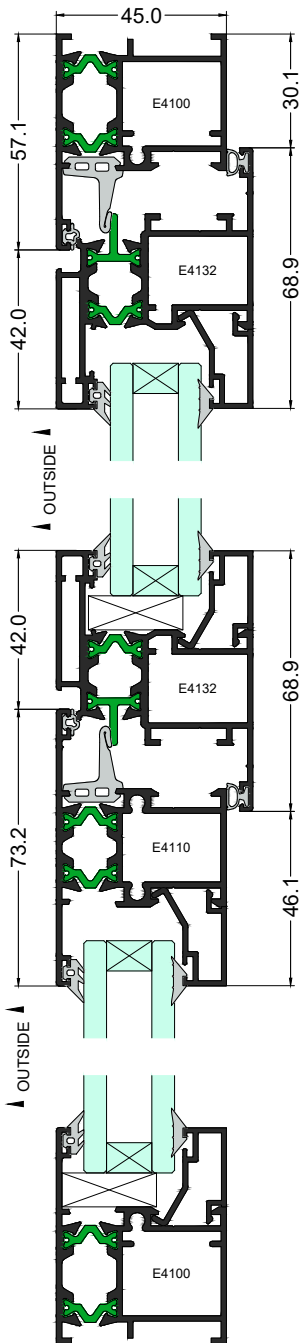
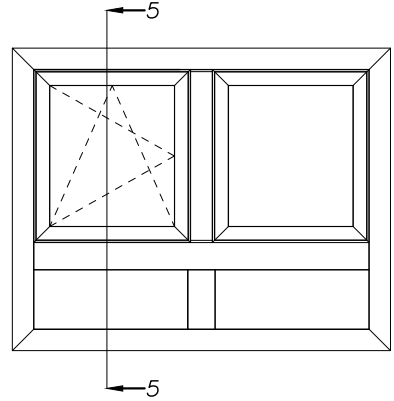


Plan Section 8-8



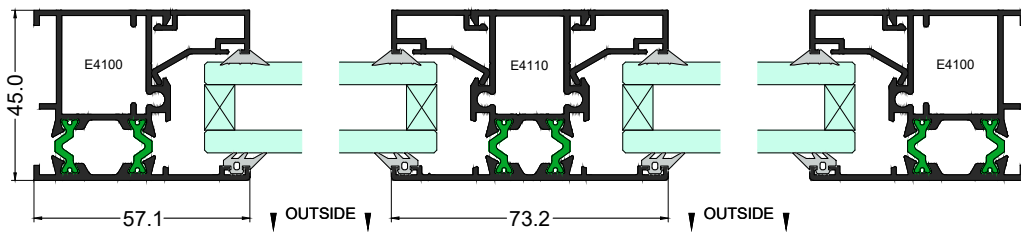
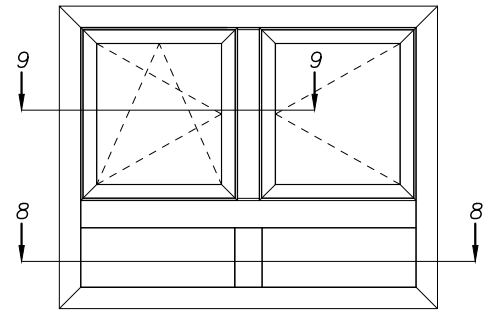
Plan Section 4-4

Layouts

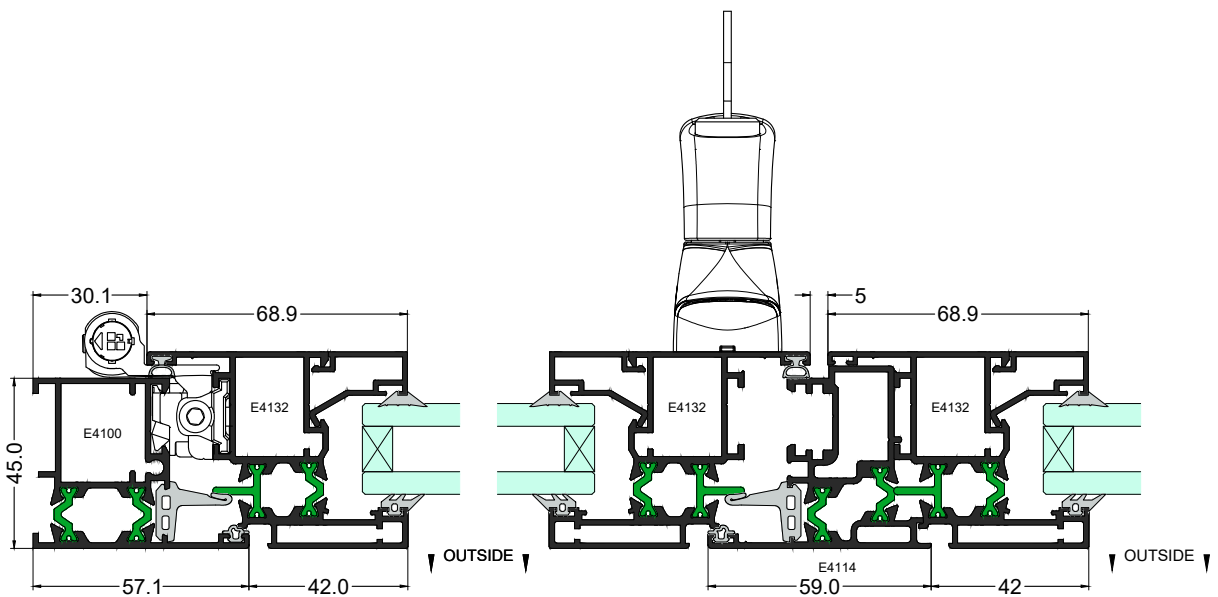


Elevation Section 5-5

Layouts



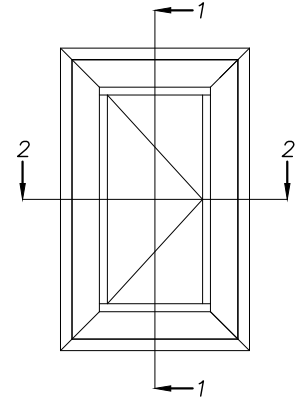
Plan Section 8-8



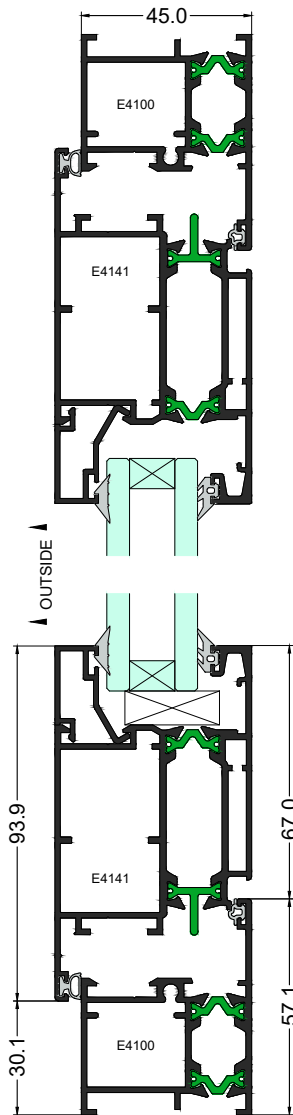
Plan Section 9-9

Layouts

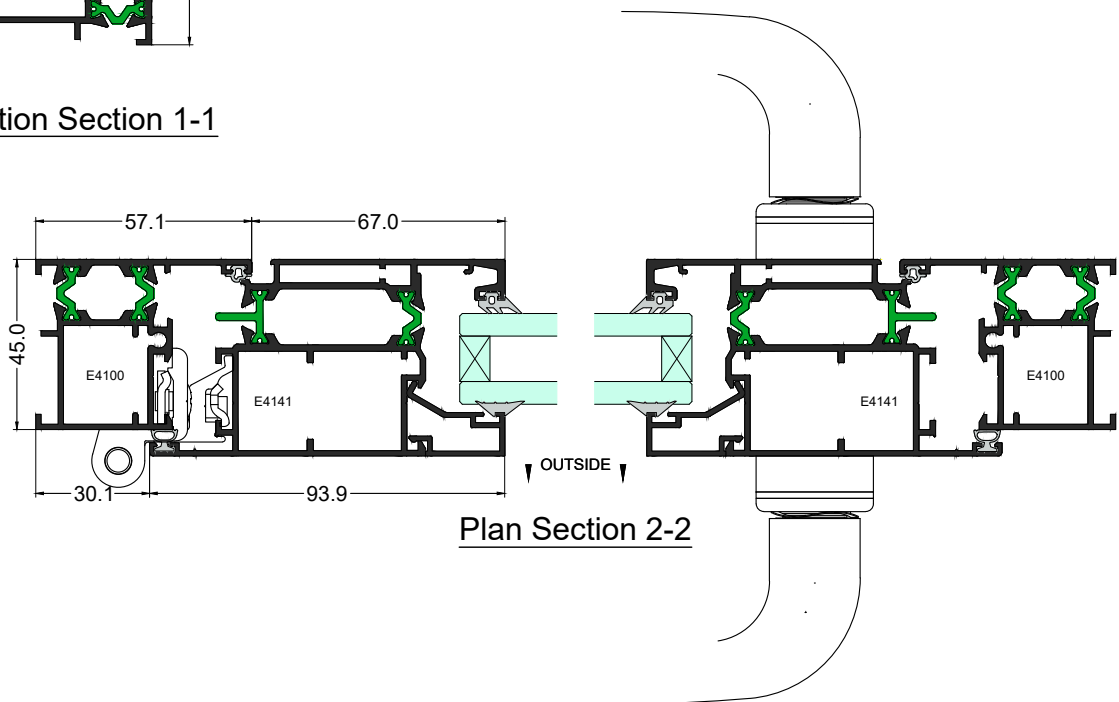
(OPEN OUT)



OUTWARD OPEN



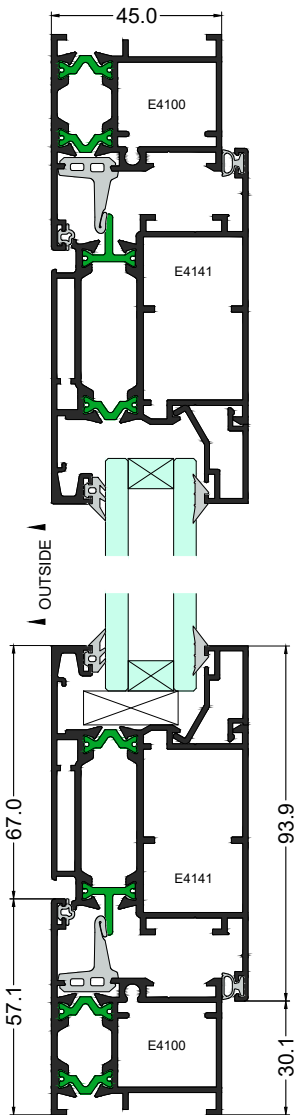
Elevation Section 1-1



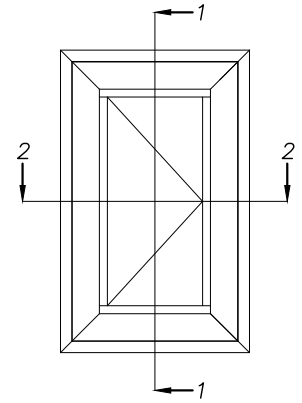
Plan Section 2-2

Layouts

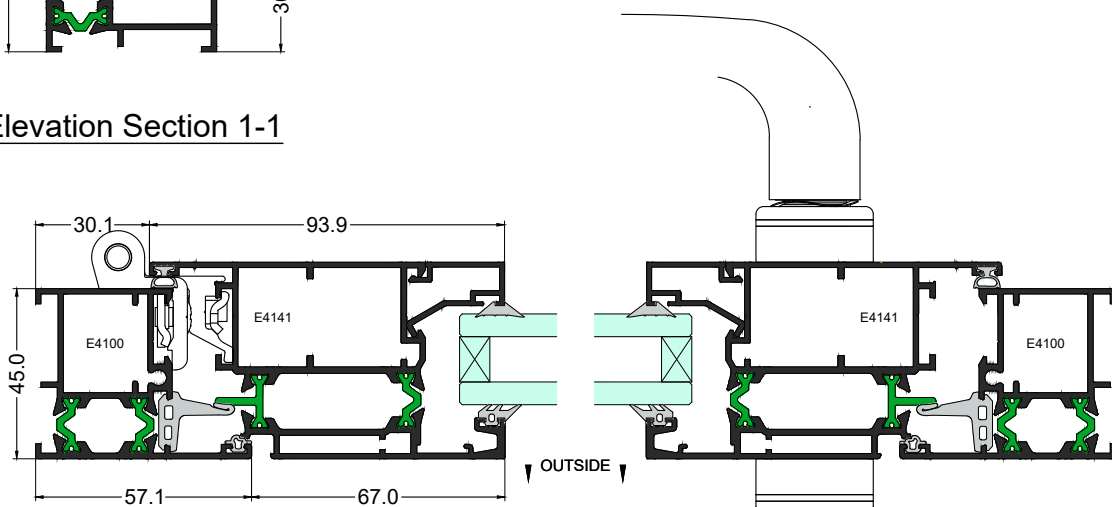
(OPEN IN)



Elevation Section 1-1



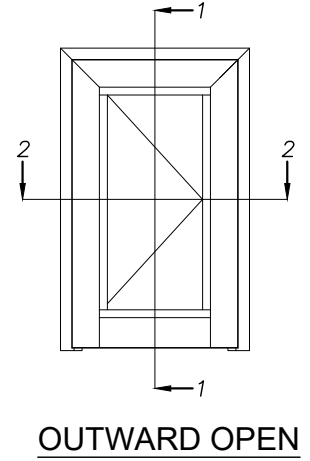
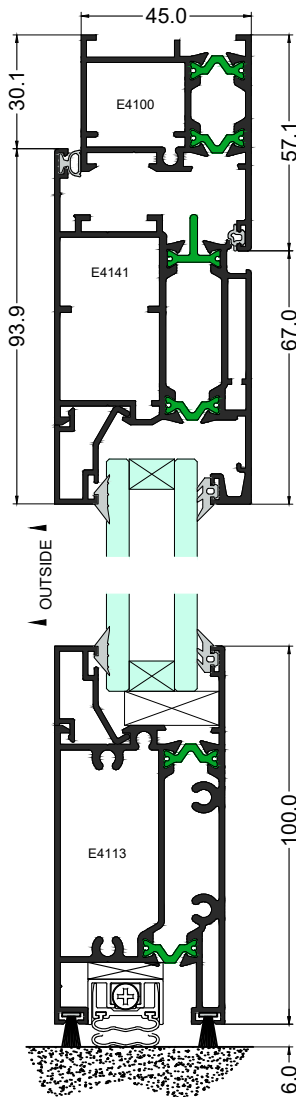
INWARD OPEN



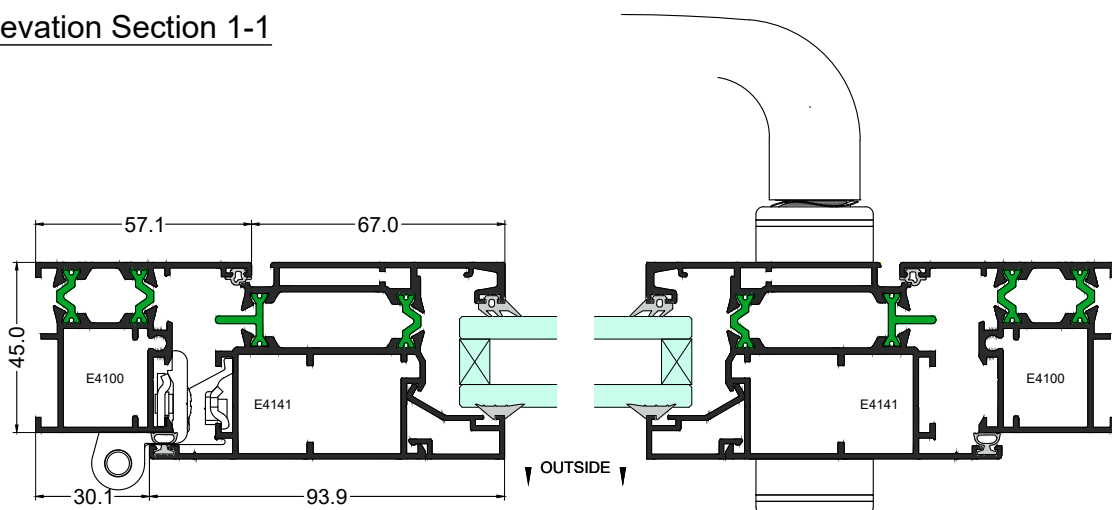
Plan Section 2-2

Layouts

(OPEN OUT)



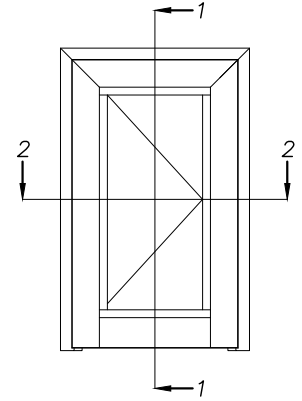
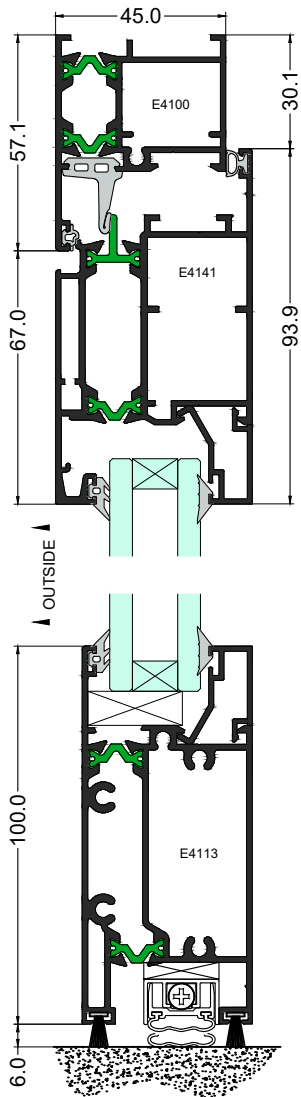
Elevation Section 1-1



Plan Section 2-2

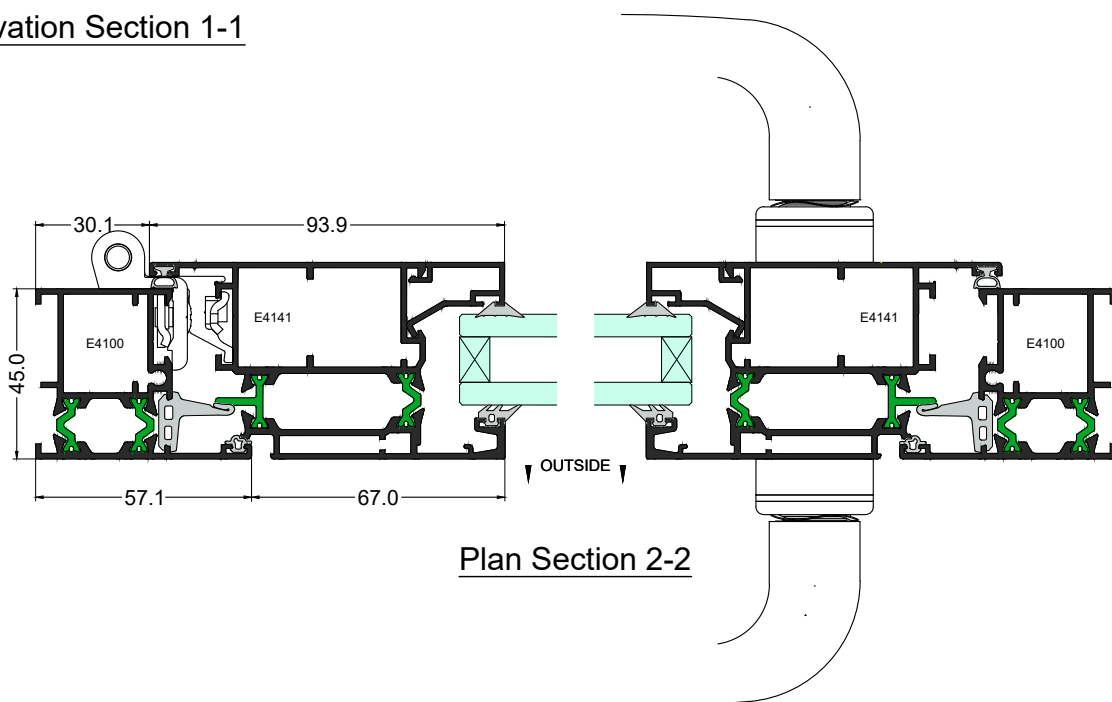
Layouts

(OPEN IN)



INWARD OPEN

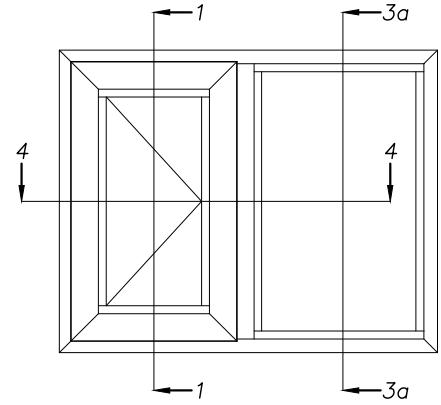
Elevation Section 1-1



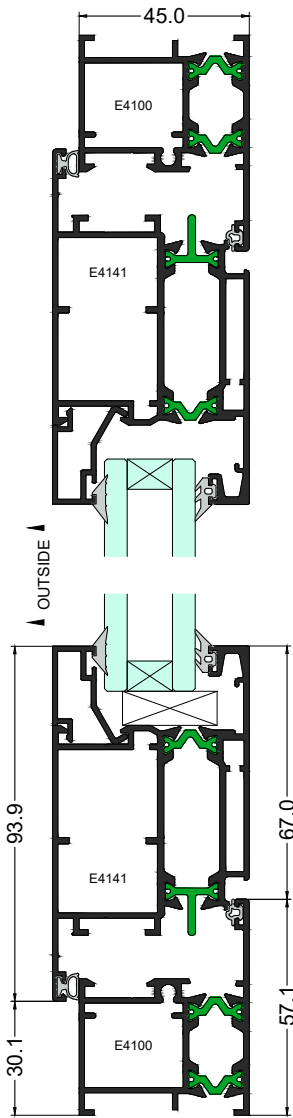
Plan Section 2-2

Layouts

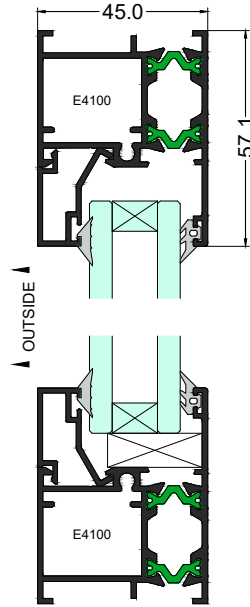
(OPEN OUT)



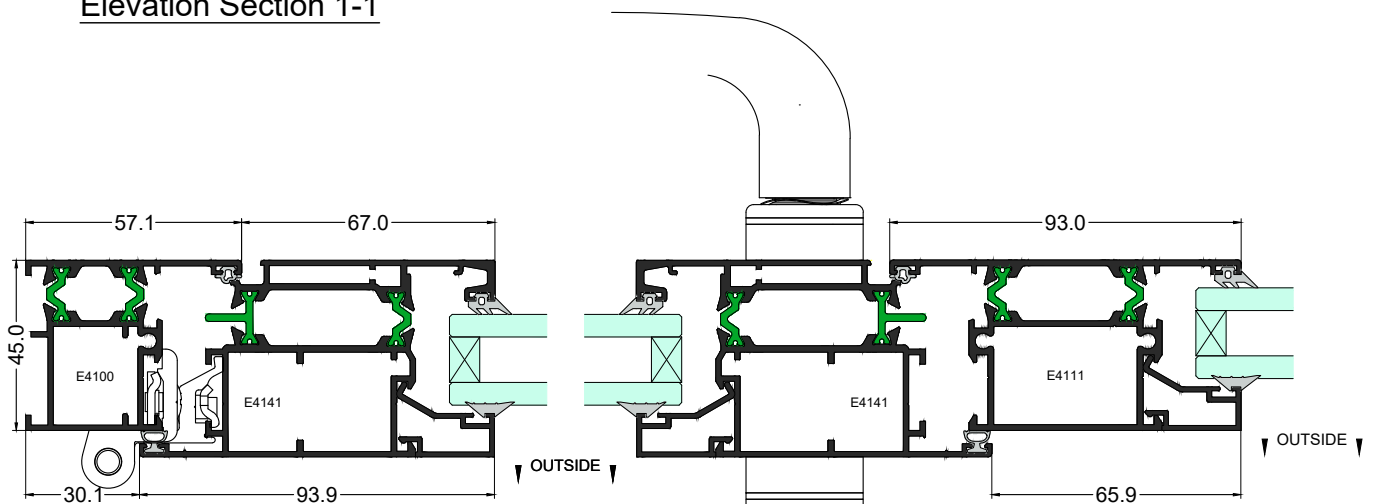
OUTWARD OPEN



Elevation Section 1-1



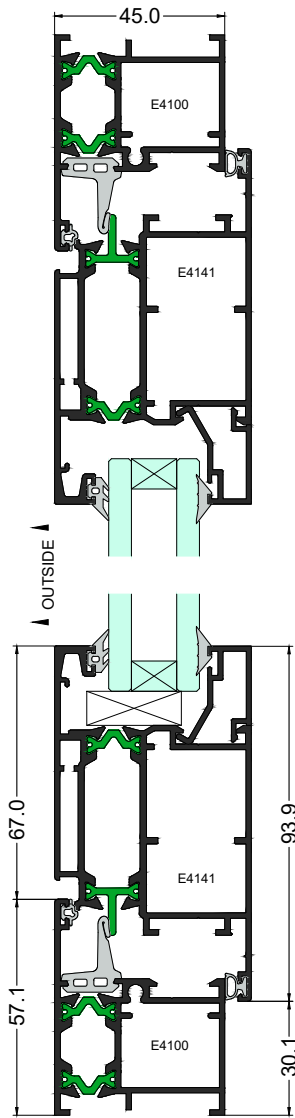
Elevation Section 3a-3a



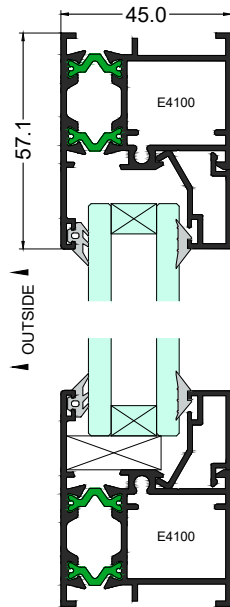
Plan Section 4-4

Layouts

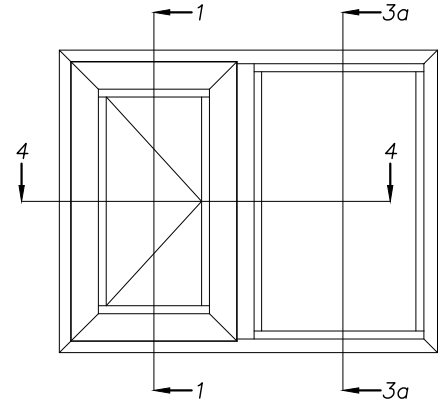
(OPEN IN)



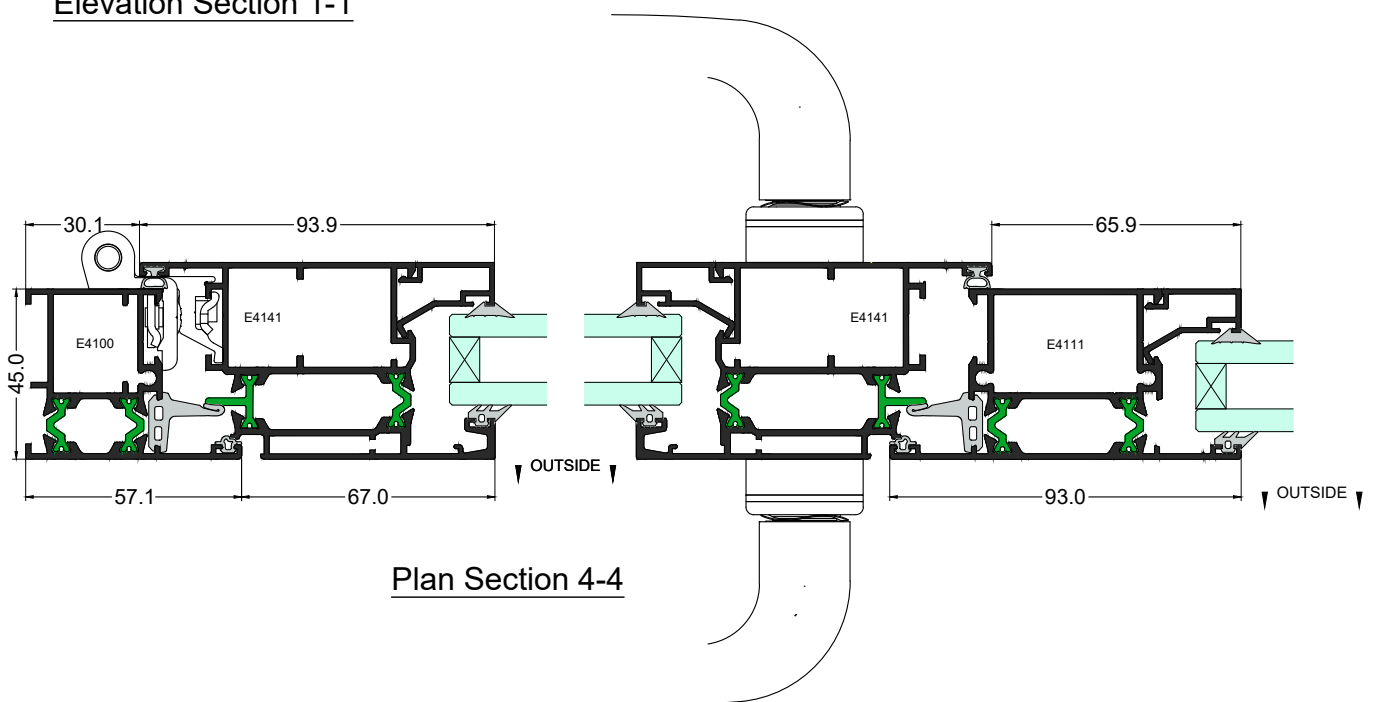
Elevation Section 1-1



Elevation Section 3a-3a



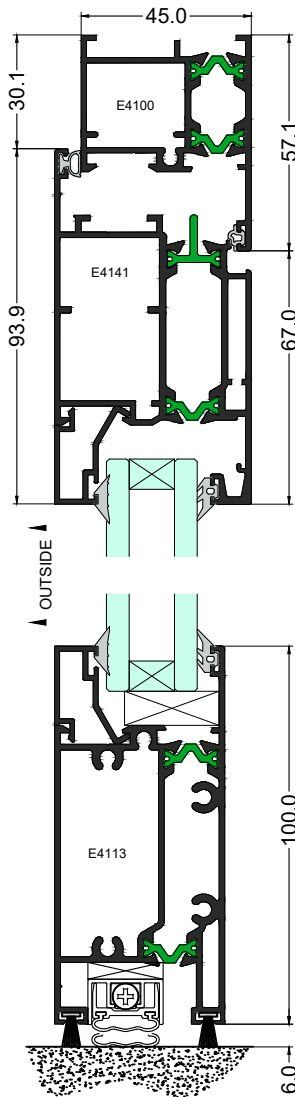
INWARD OPEN



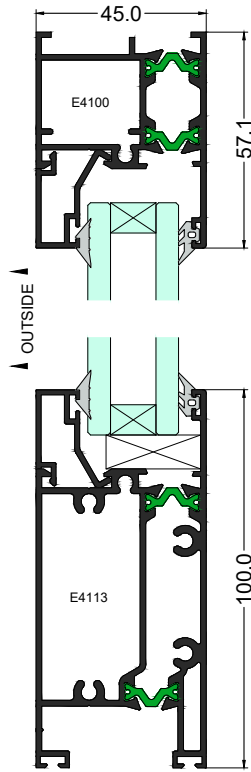
Plan Section 4-4

Layouts

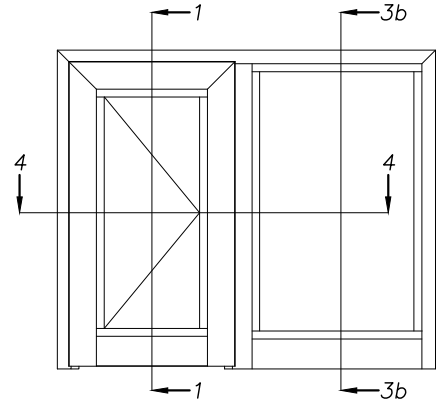
(OPEN OUT)



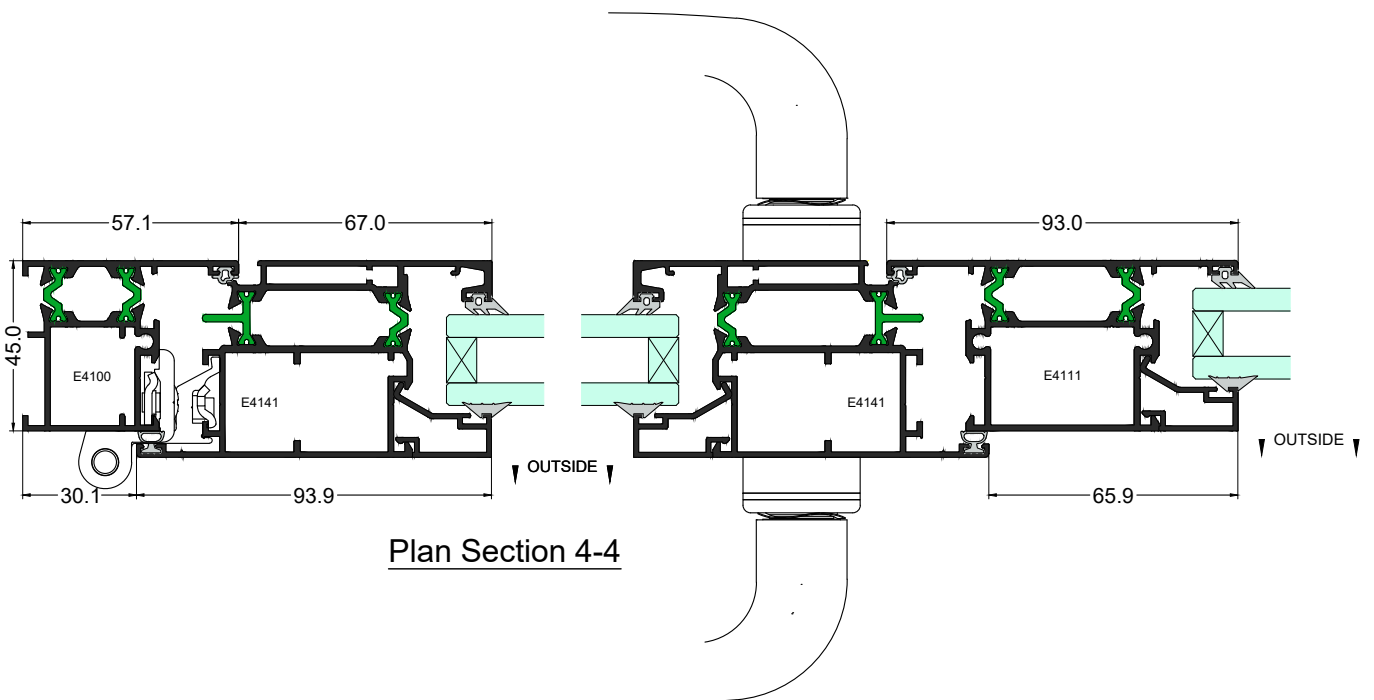
Elevation Section 1-1



Elevation Section 3b-3b



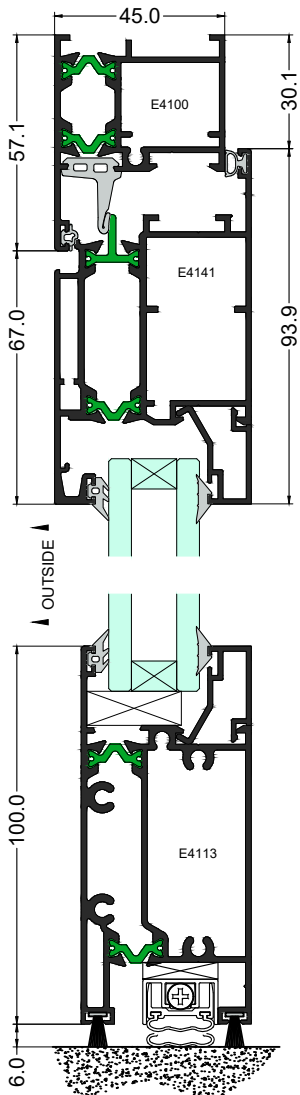
OUTWARD OPEN



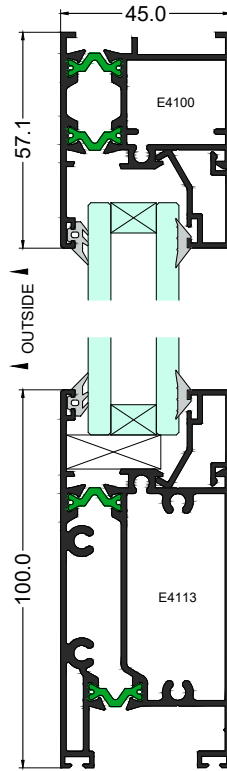
Plan Section 4-4

Layouts

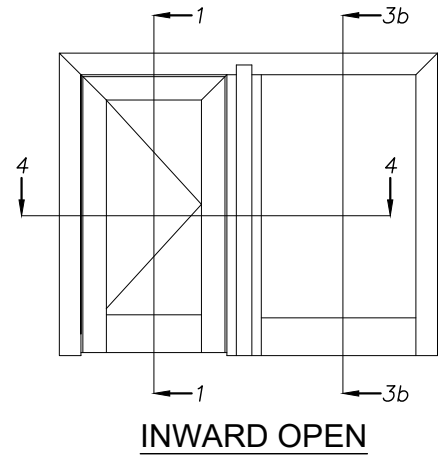
(OPEN IN)



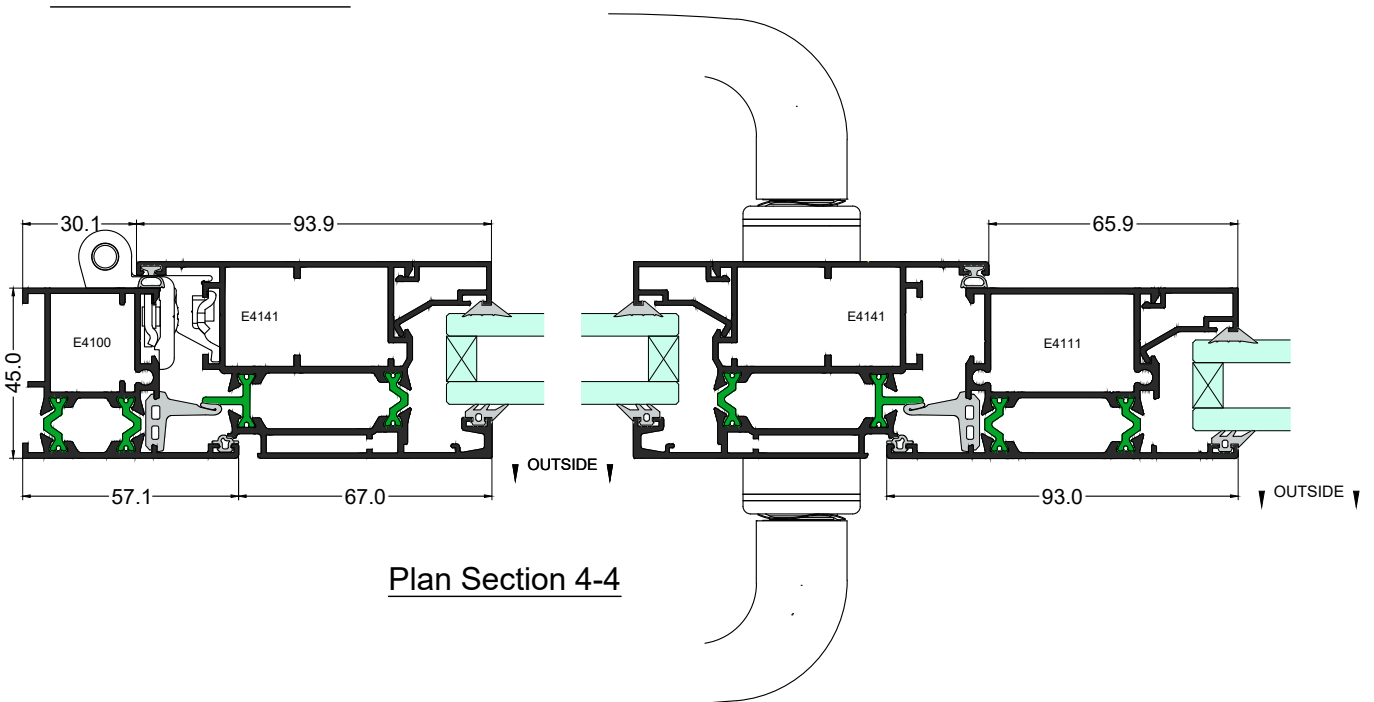
Elevation Section 1-1



Elevation Section 3b-3b



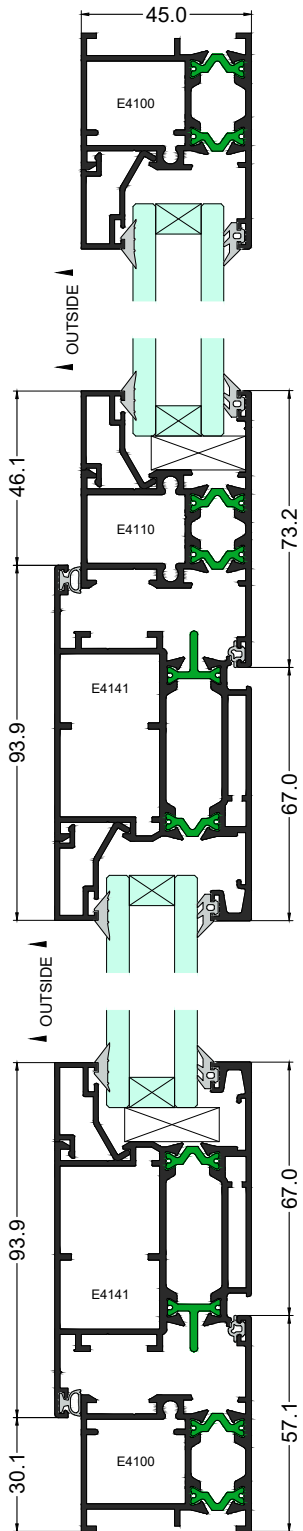
INWARD OPEN



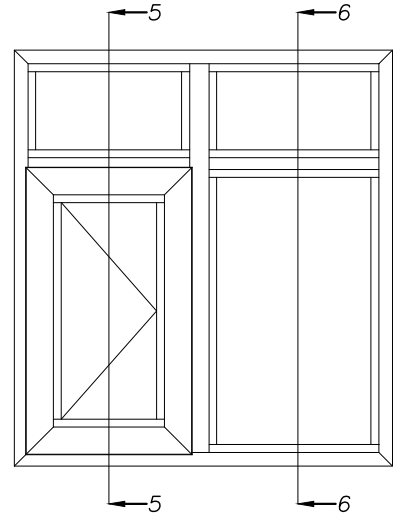
Plan Section 4-4

Layouts

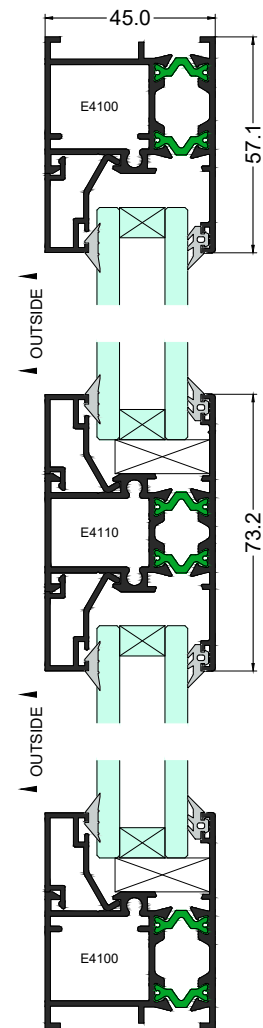
(OPEN OUT)



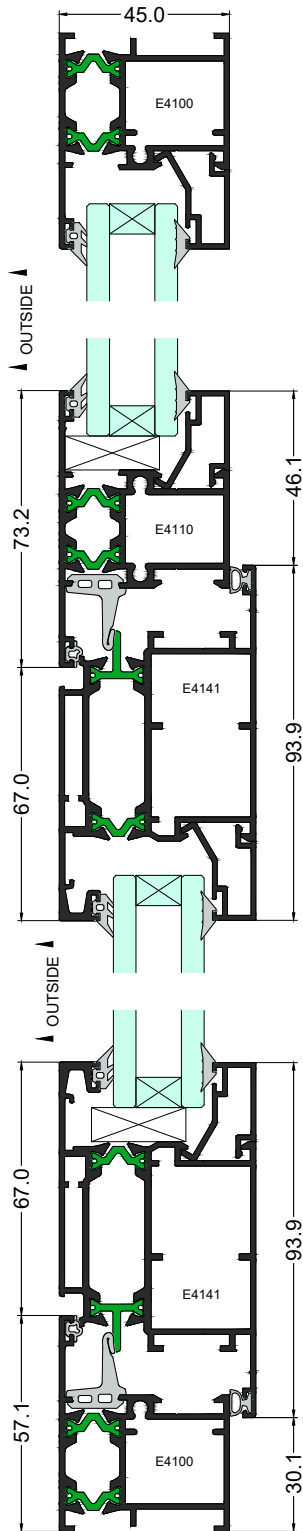
Elevation Section 5-5



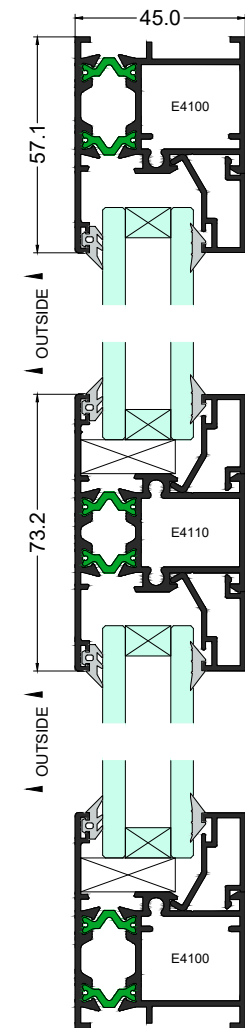
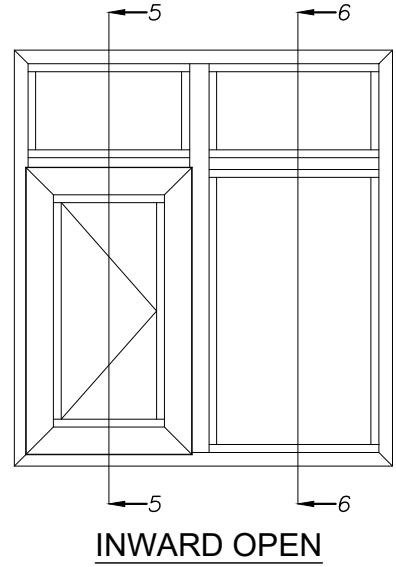
OUTWARD OPEN



Elevation Section 6-6



Elevation Section 5-5



Elevation Section 6-6

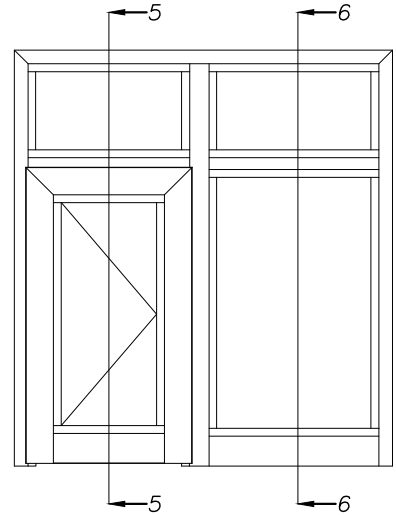
EC45TB

HINGED DOOR

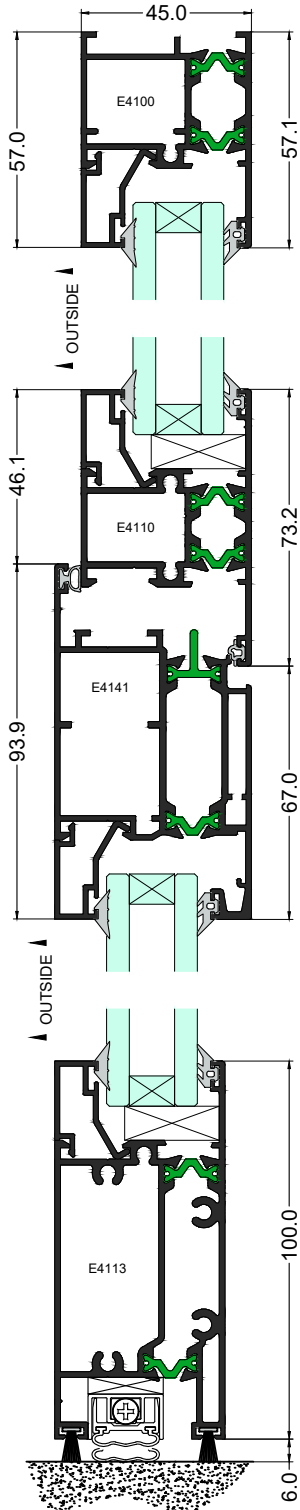
THERMECO™

Layouts

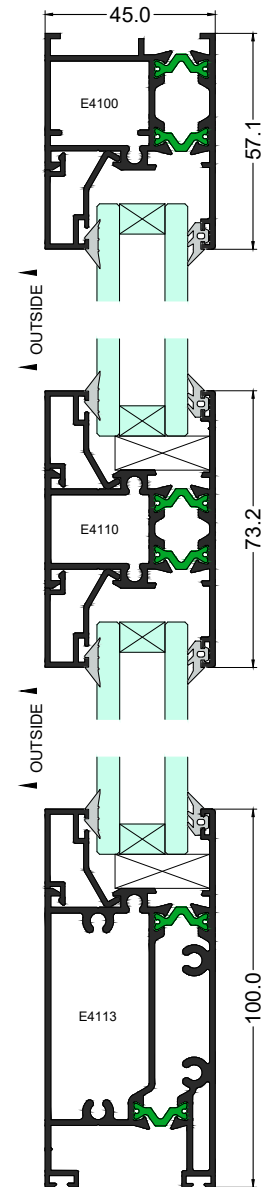
(OPEN OUT)



OUTWARD OPEN



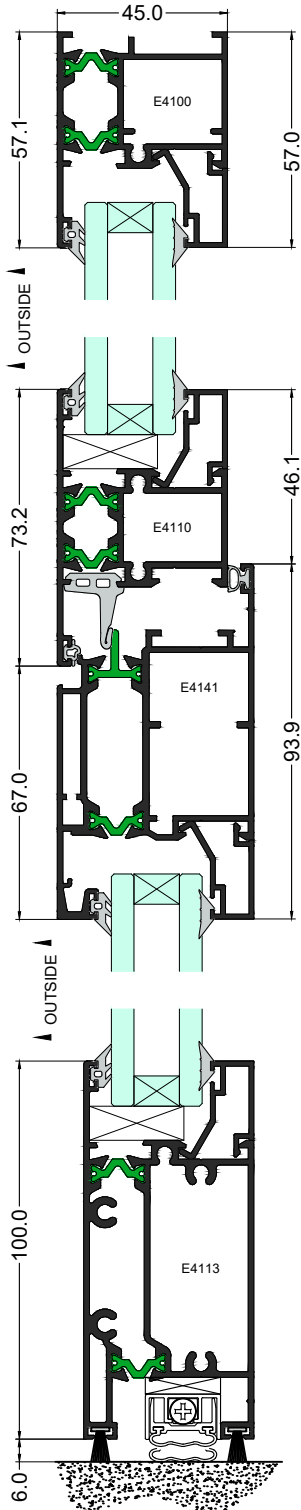
Elevation Section 5-5



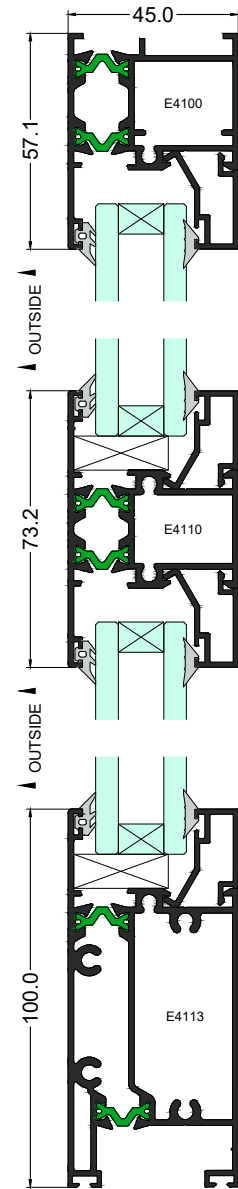
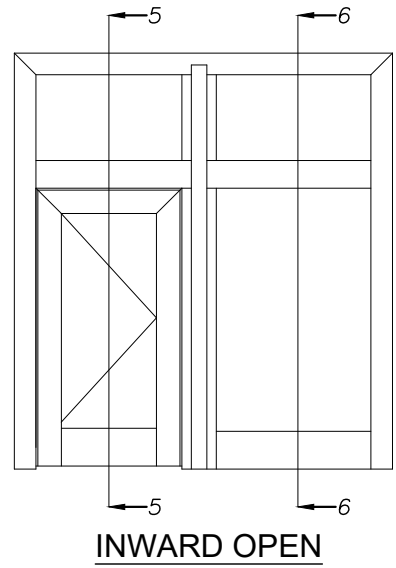
Elevation Section 6-6

Layouts

(OPEN IN)



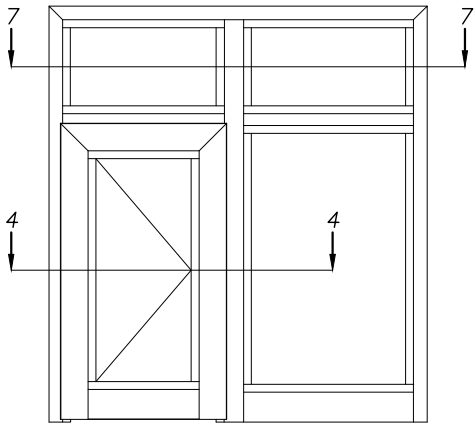
Elevation Section 5-5



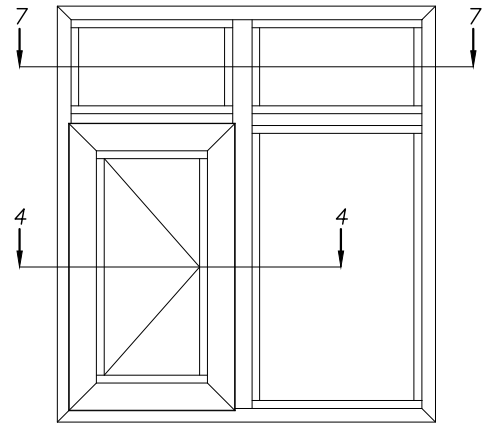
Elevation Section 6-6

Layouts

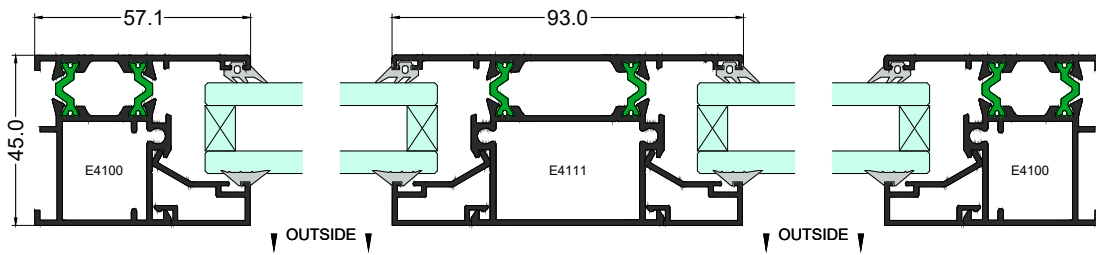
(OPEN OUT)



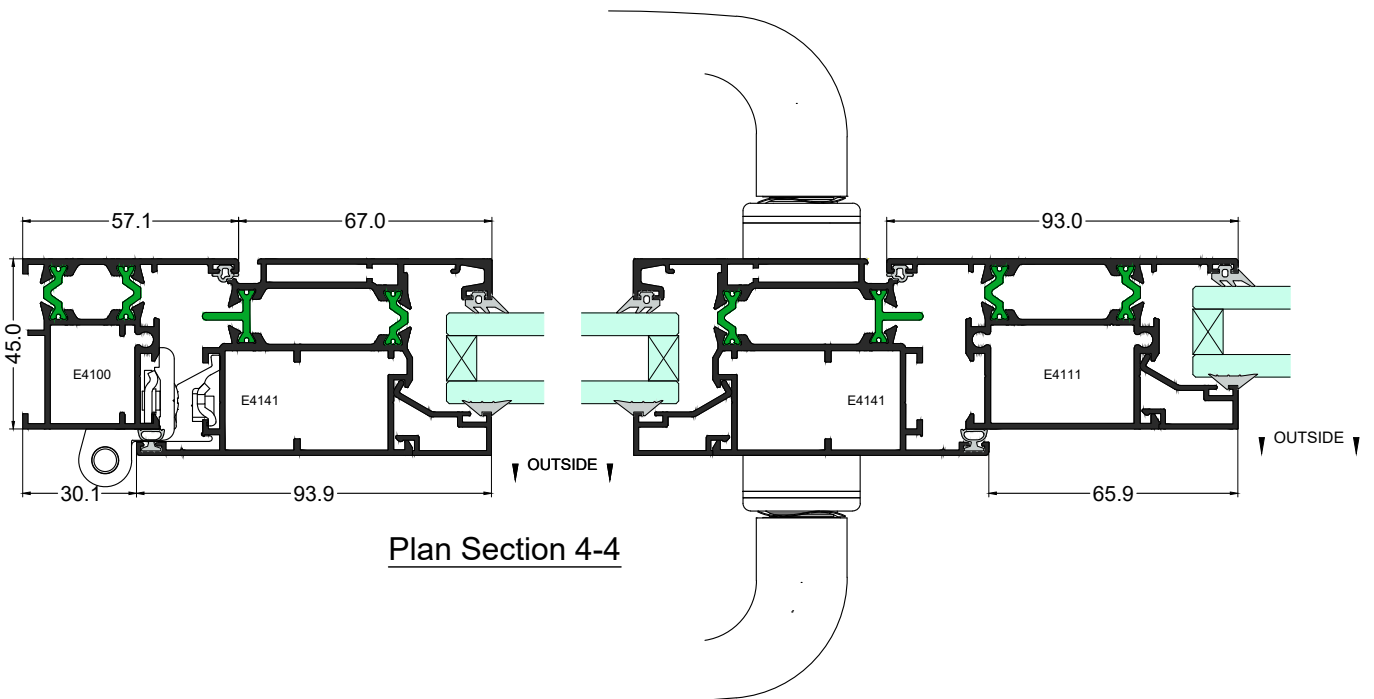
OUTWARD OPEN



OUTWARD OPEN



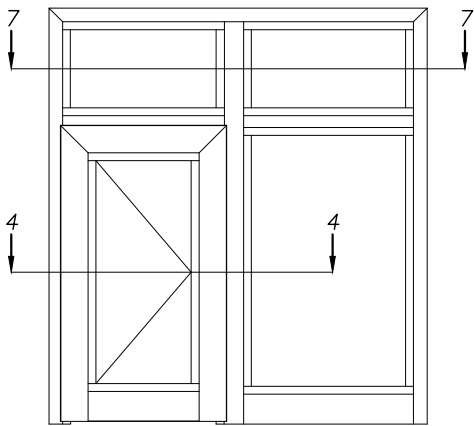
Plan Section 7-7



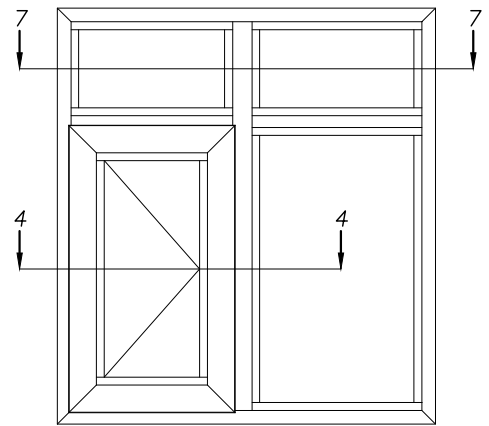
Plan Section 4-4

Layouts

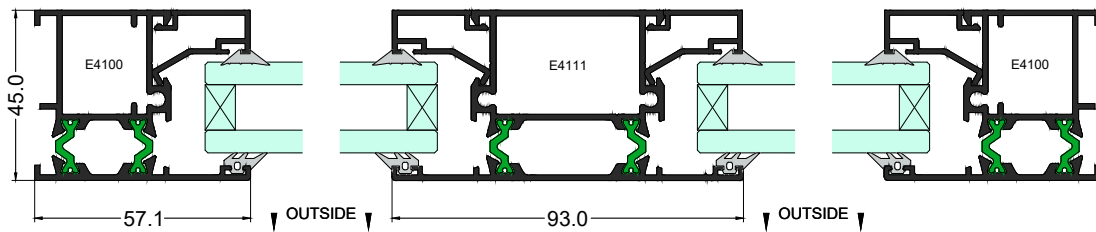
(OPEN IN)



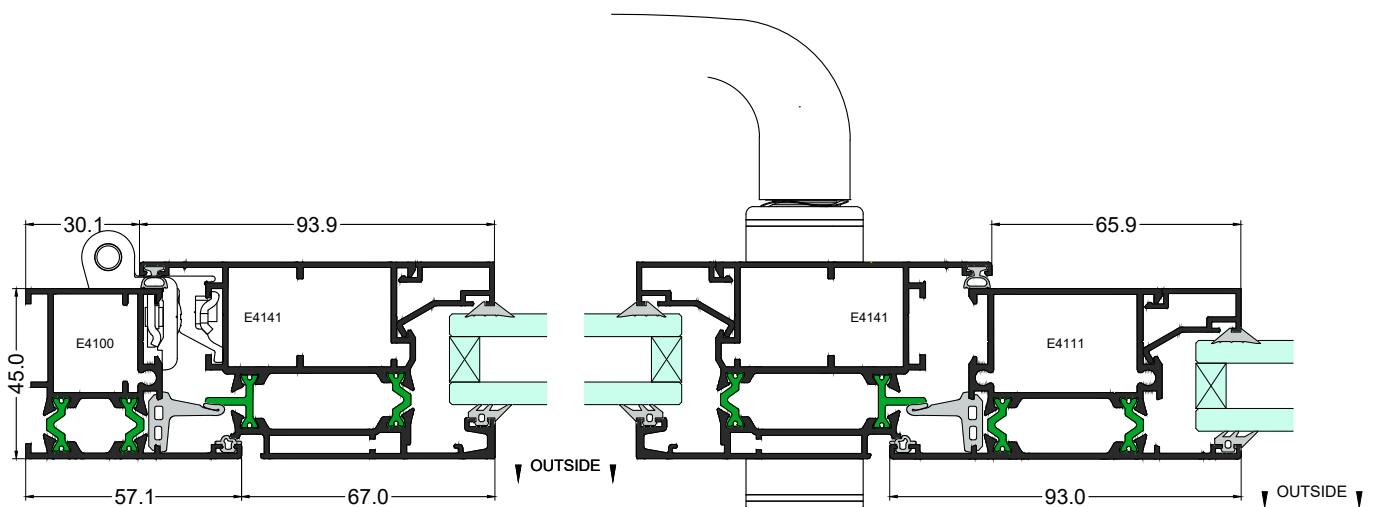
INWARD OPEN



INWARD OPEN



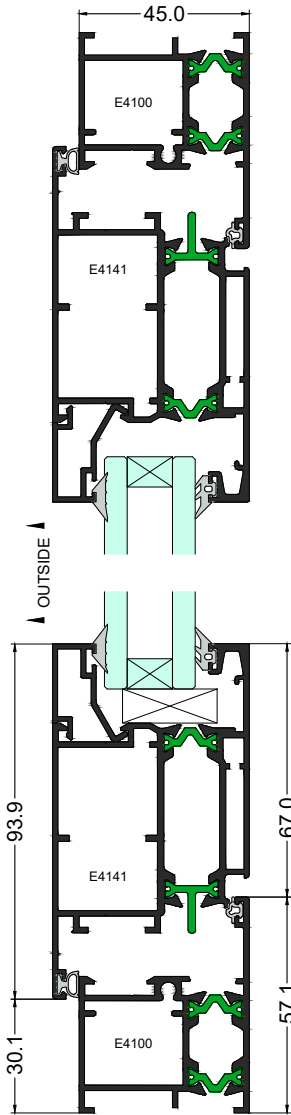
Plan Section 7-7



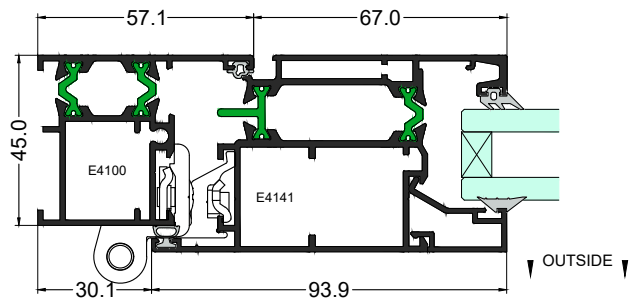
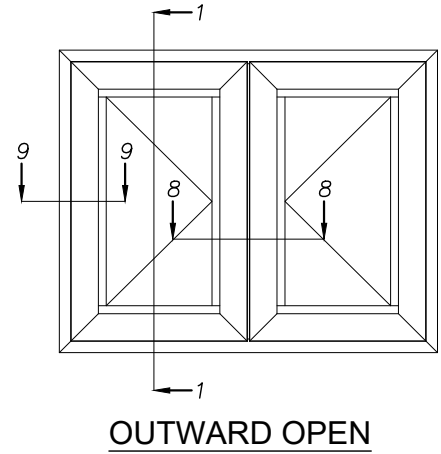
Plan Section 4-4

Layouts

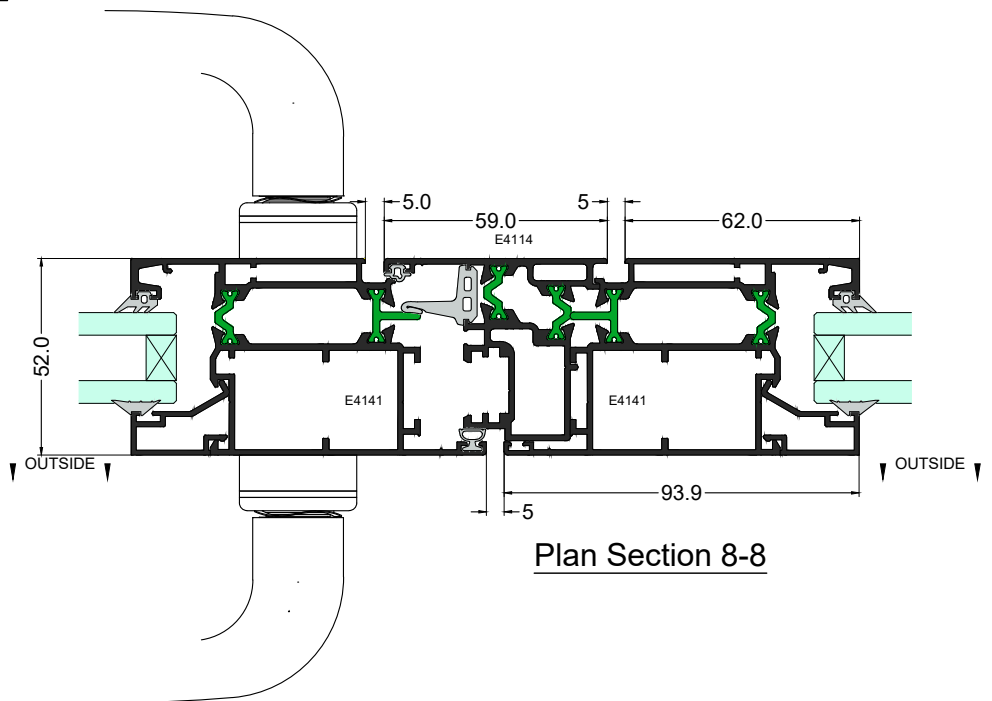
(OPEN OUT)



Elevation Section 1-1



Plan Section 9-9



Plan Section 8-8

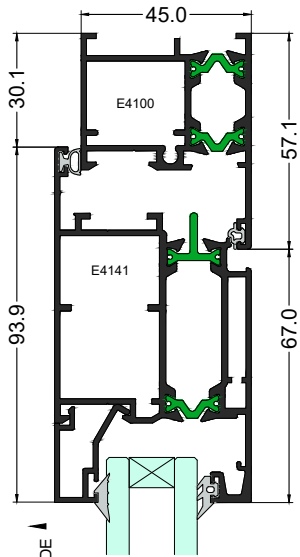
EC45TB

HINGED DOOR

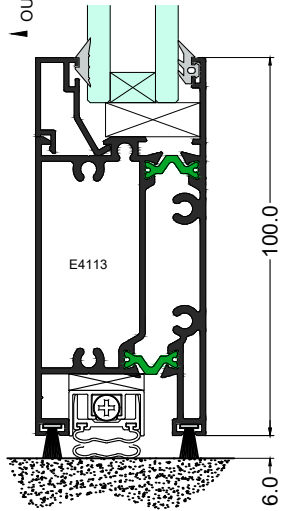
THERMECO™

Layouts

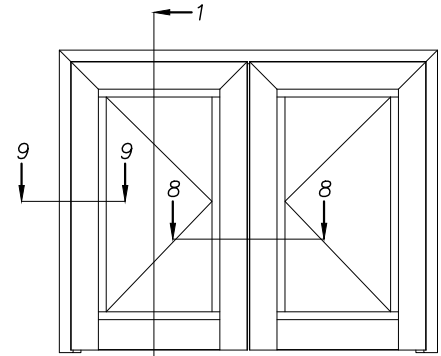
(OPEN OUT)



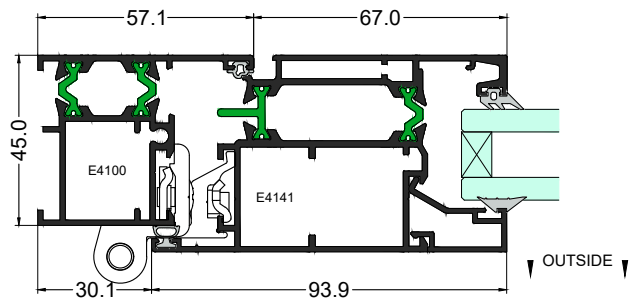
↑ OUTSIDE ↑



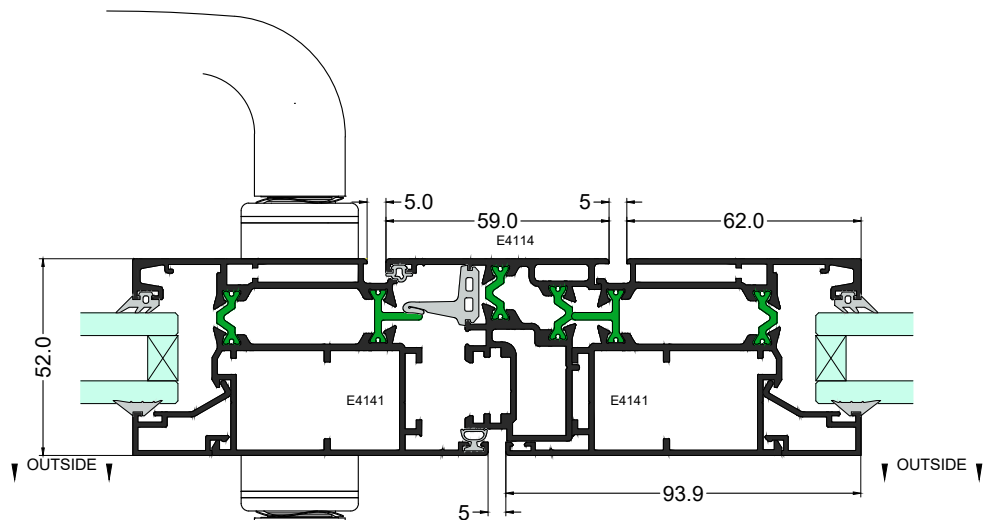
Elevation Section 1-1



OUTWARD OPEN



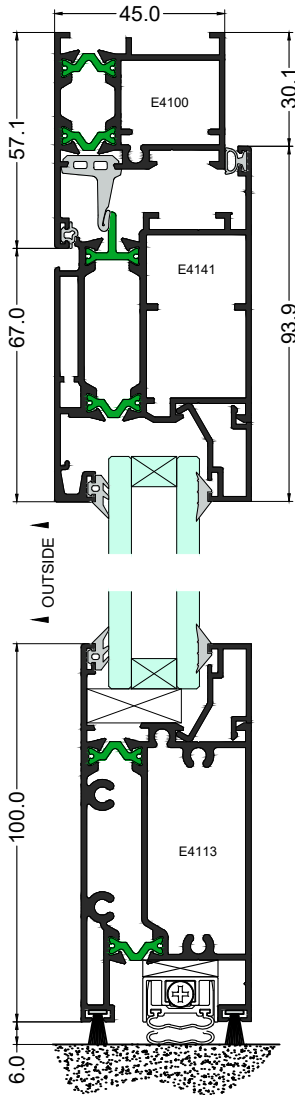
Plan Section 9-9



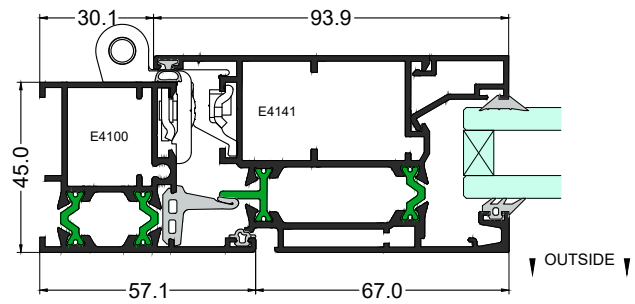
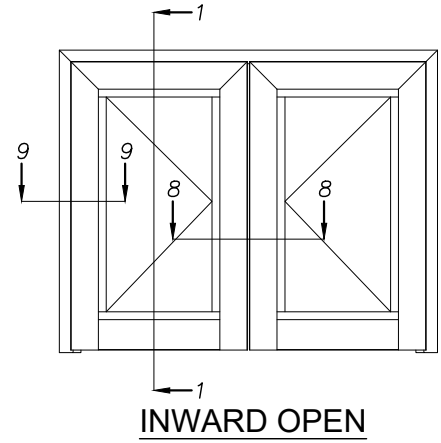
Plan Section 8-8

Layouts

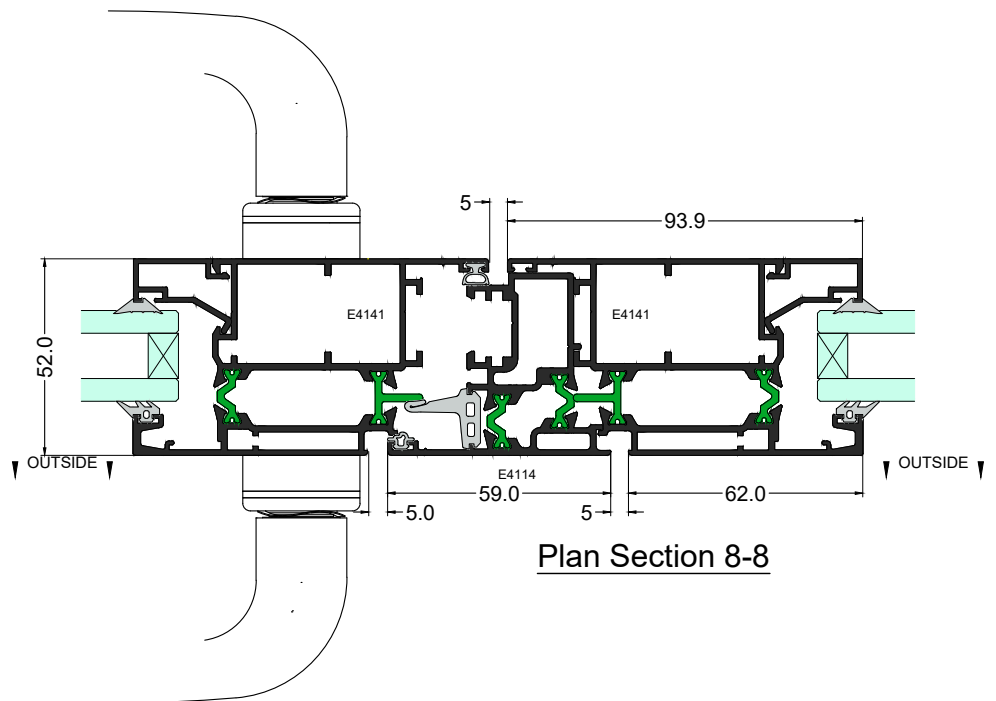
(OPEN IN)



Elevation Section 1-1

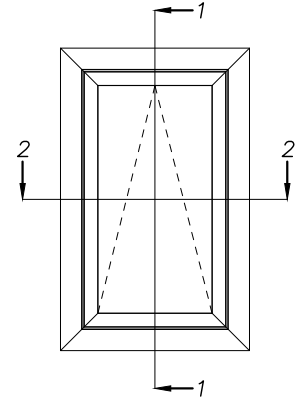
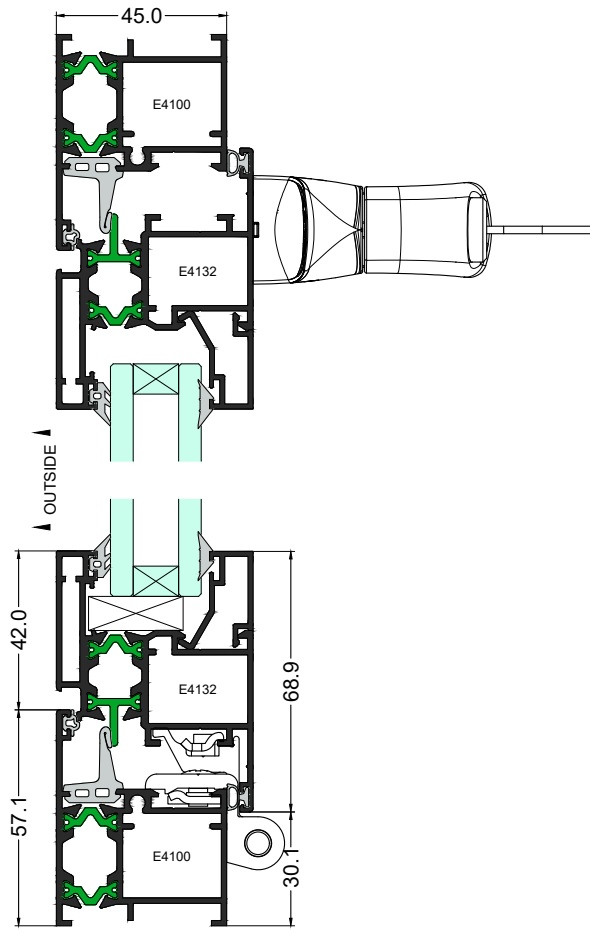


Plan Section 9-9

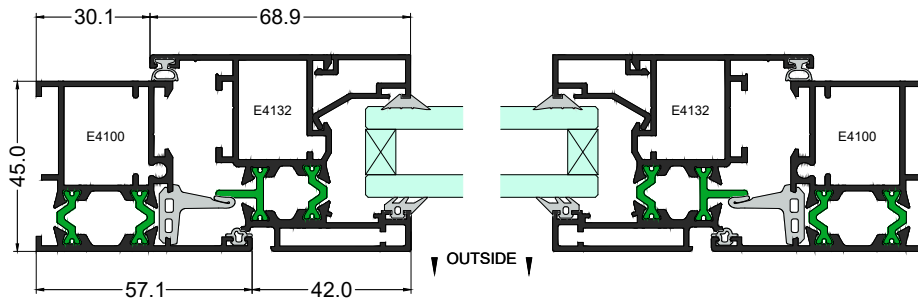


Plan Section 8-8

Layouts

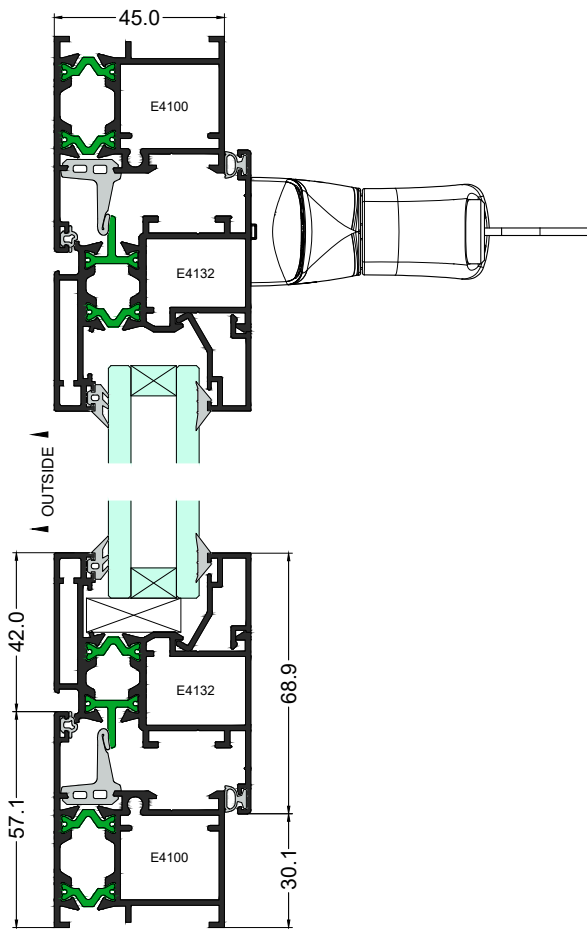


Elevation Section 1-1

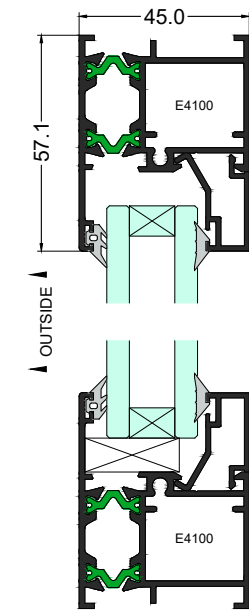
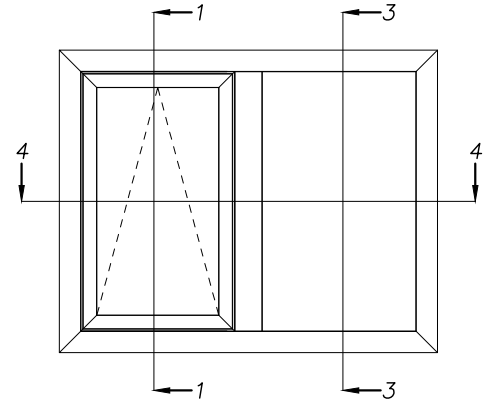


Plan Section 2-2

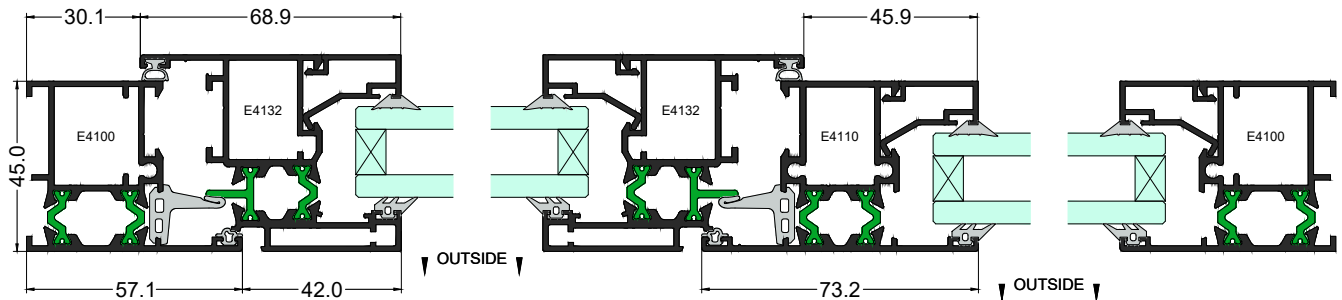
Layouts



Elevation Section 1-1

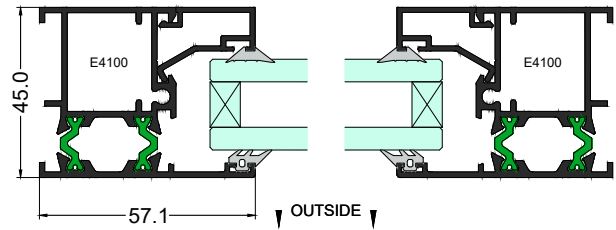
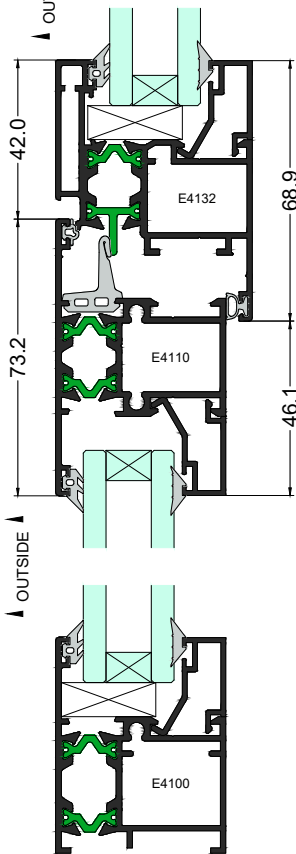
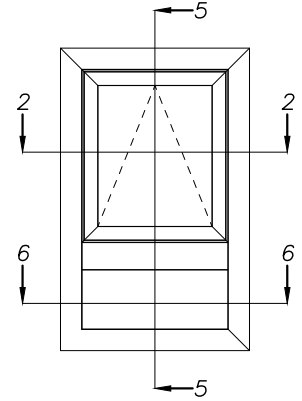
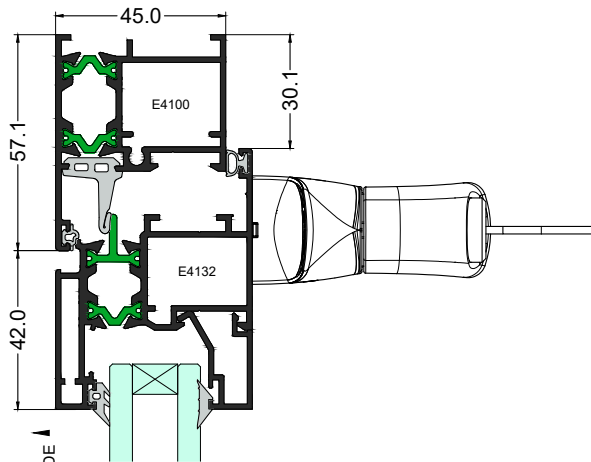


Elevation Section 3-3



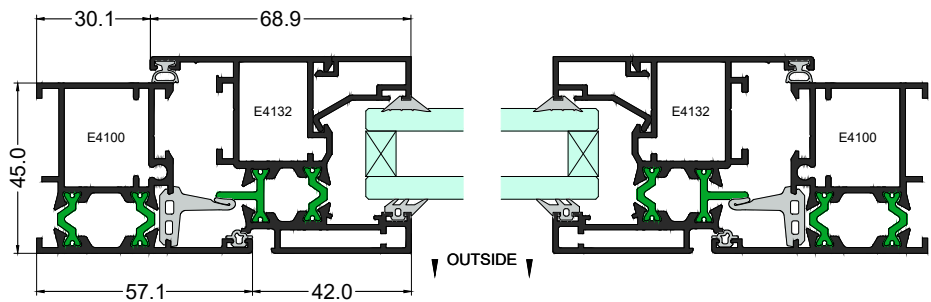
Plan Section 4-4

Layouts



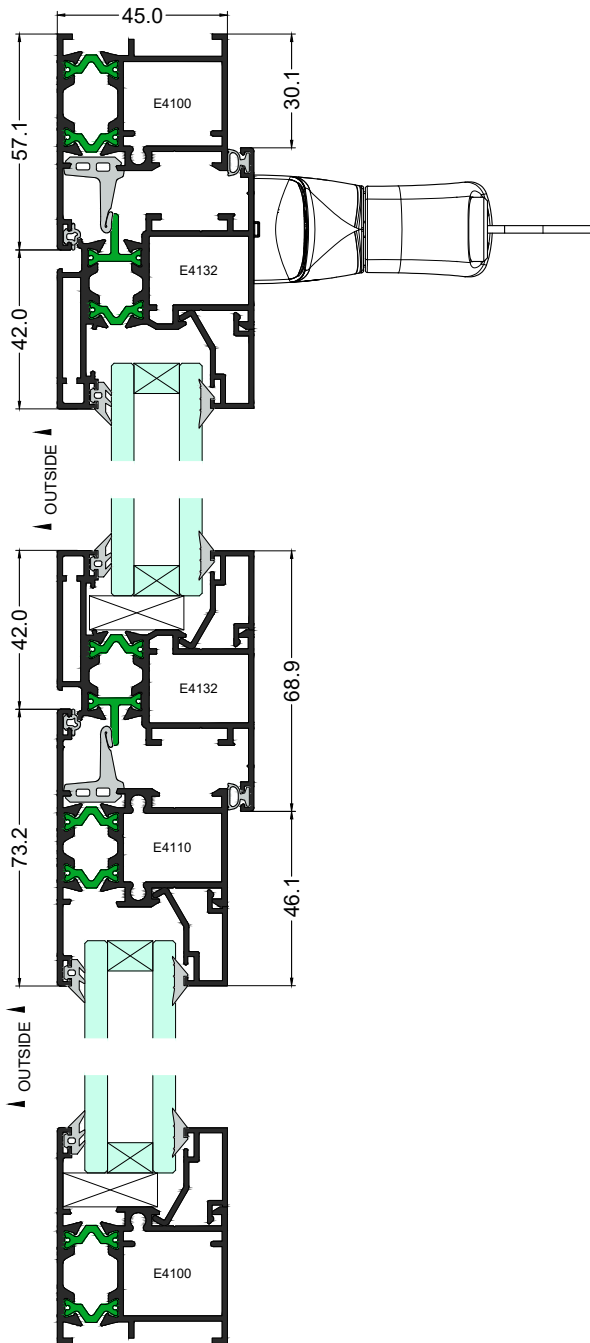
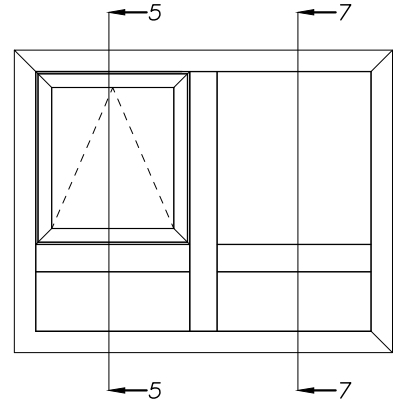
Plan Section 6-6

Elevation Section 5-5

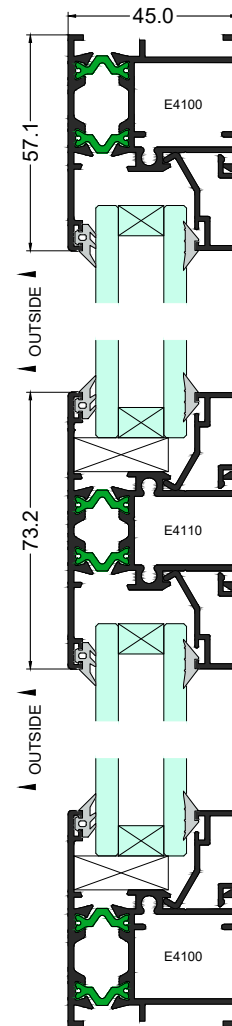


Plan Section 2-2

Layouts

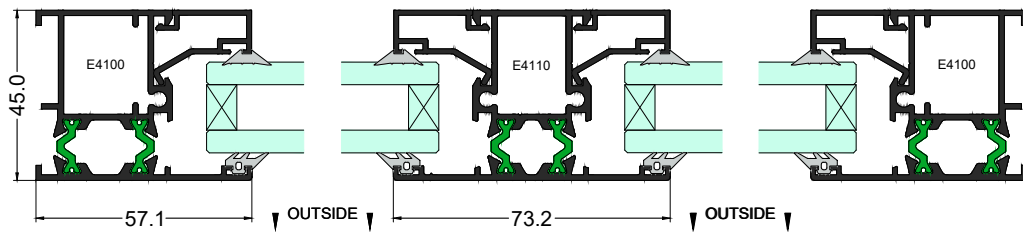
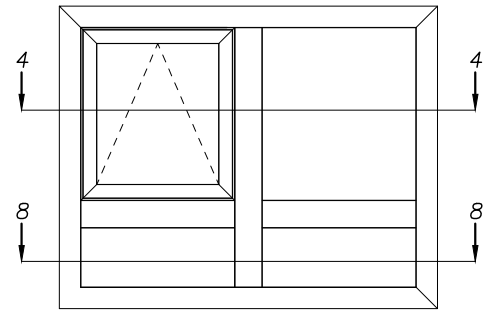


Elevation Section 5-5

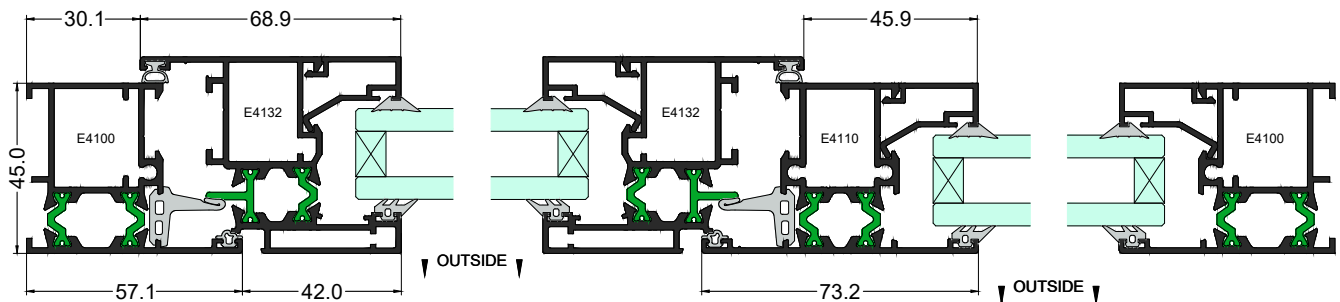


Elevation Section 7-7

Layouts

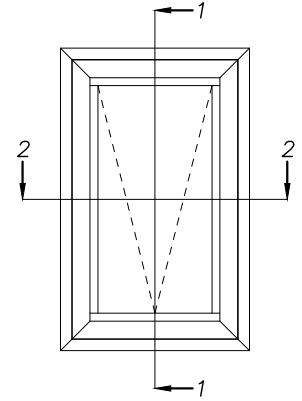
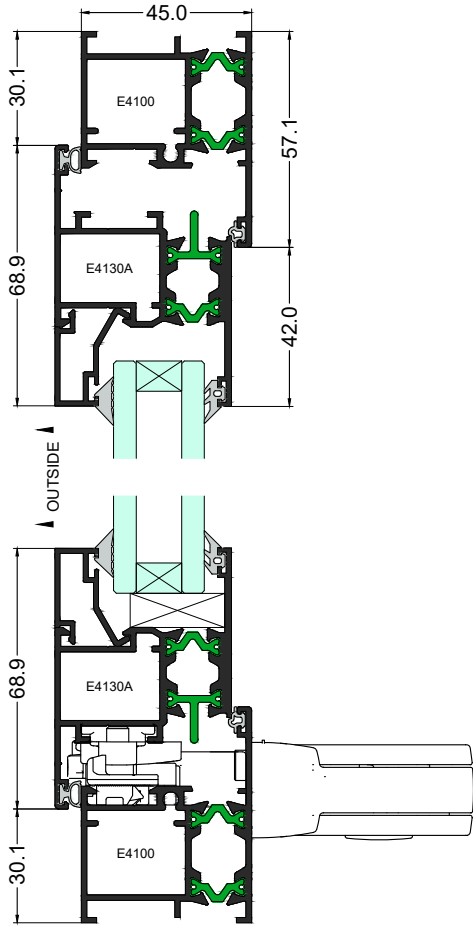


Plan Section 8-8

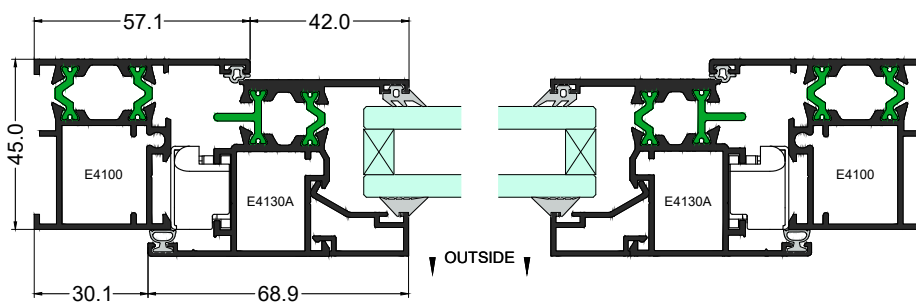


Plan Section 4-4

Layouts

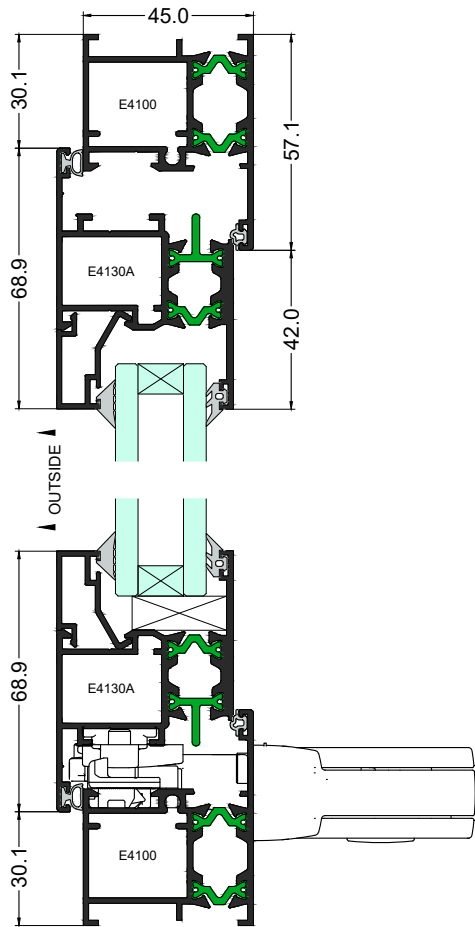


Elevation Section 1-1

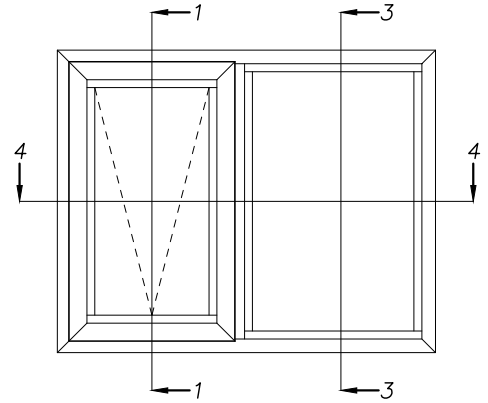


Plan Section 2-2

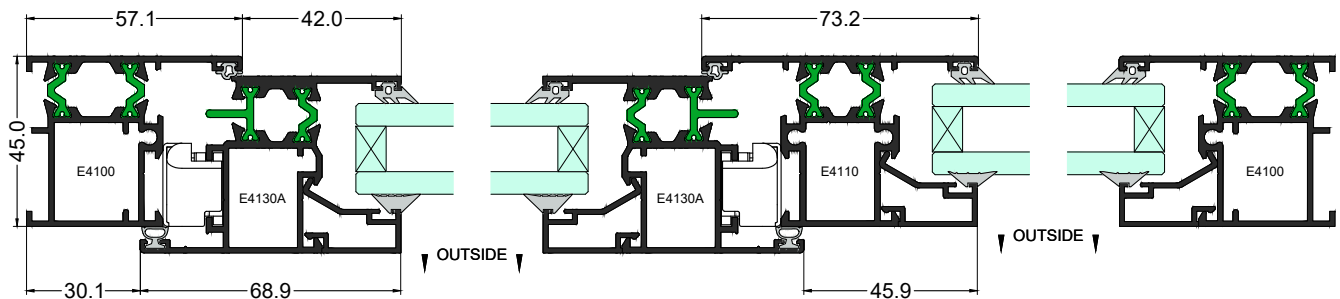
Layouts



Elevation Section 1-1

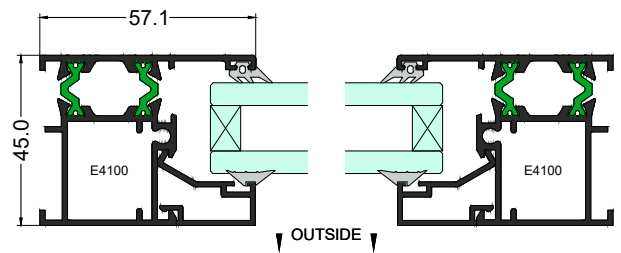
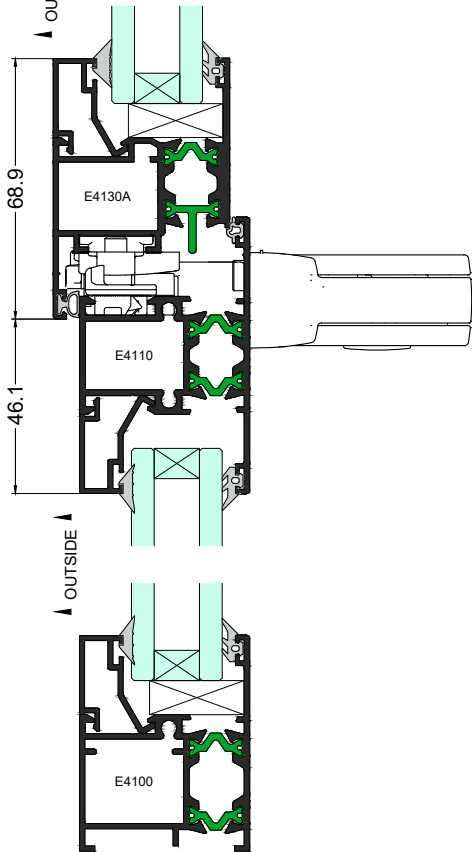
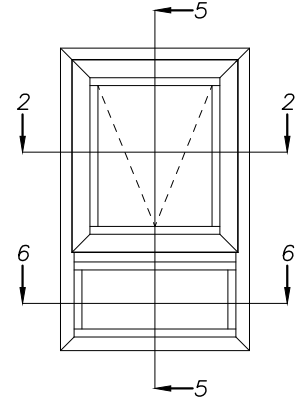
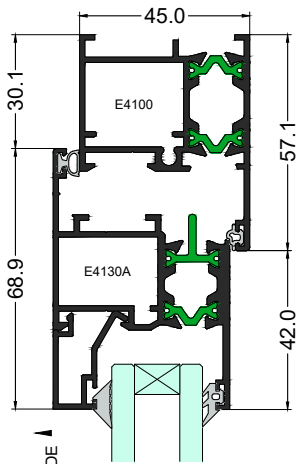


Elevation Section 3-3



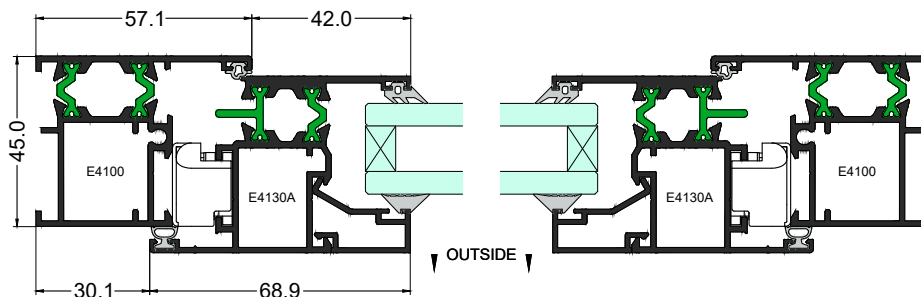
Plan Section 4-4

Layouts



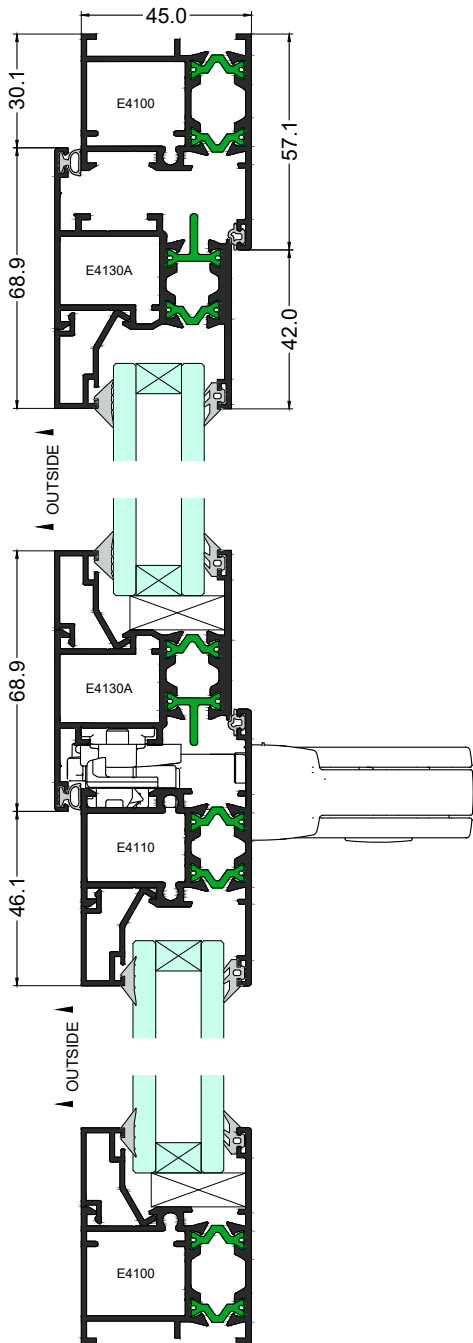
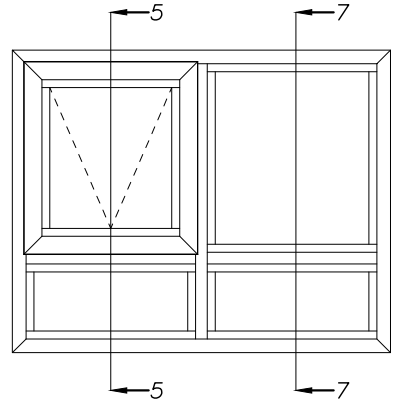
Plan Section 6-6

Elevation Section 5-5

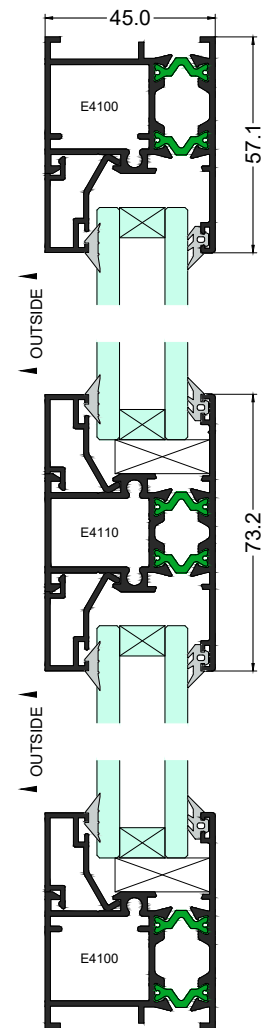


Plan Section 2-2

Layouts

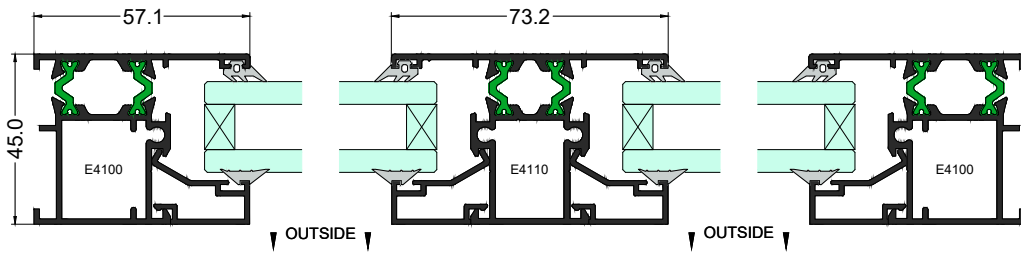
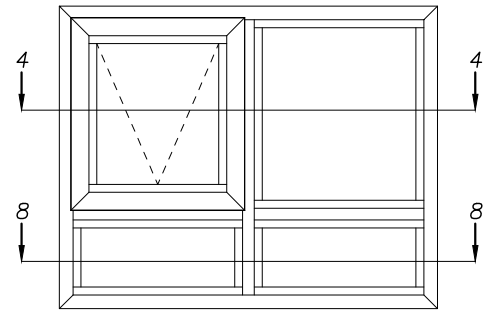


Elevation Section 5-5

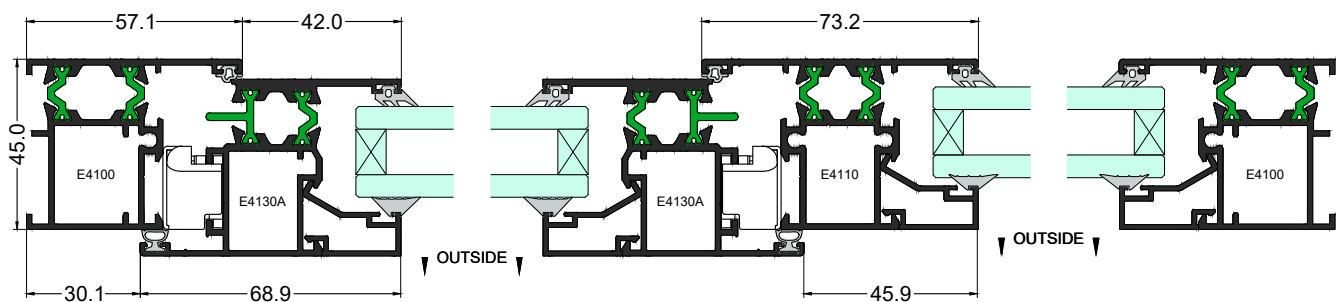


Elevation Section 7-7

Layouts

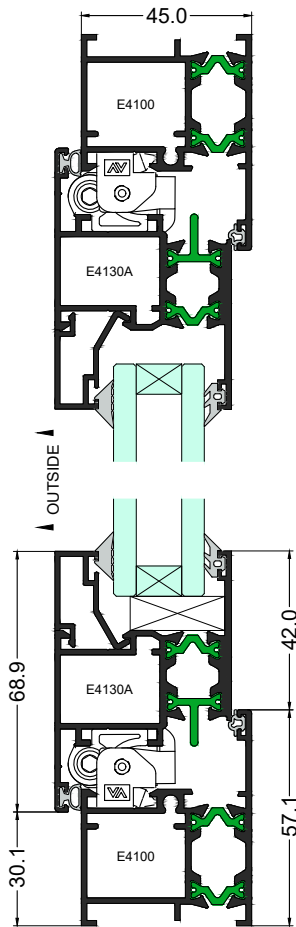


Plan Section 8-8

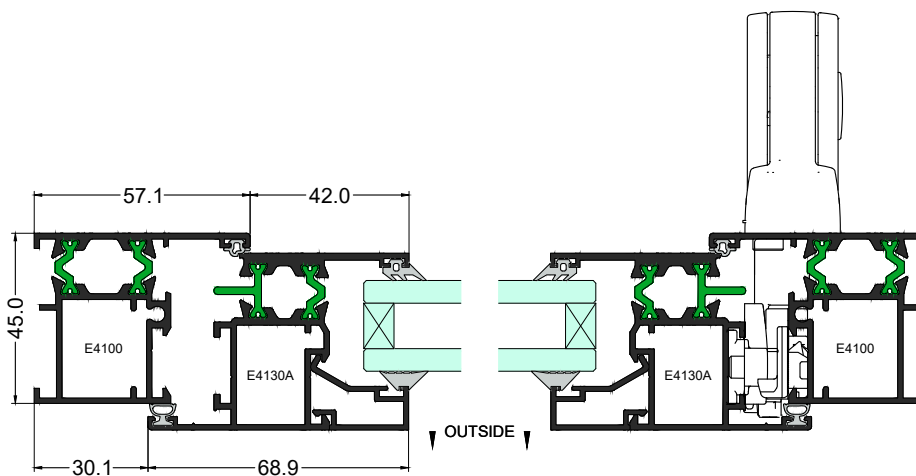
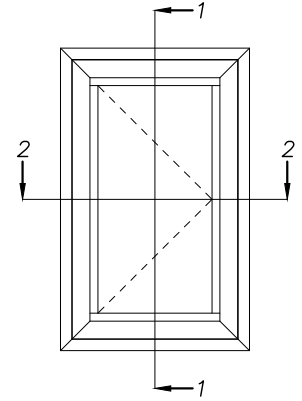


Plan Section 4-4

Layouts

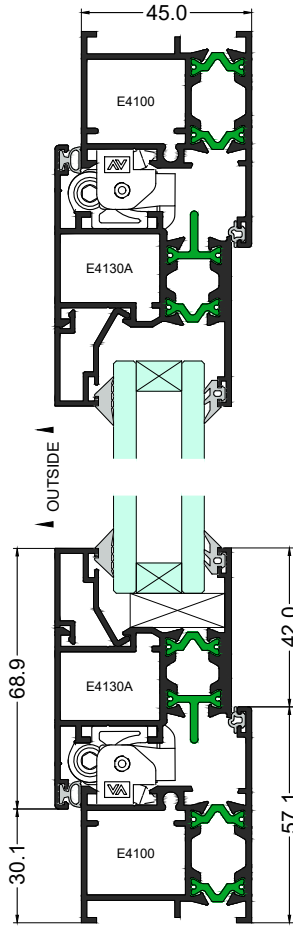


Elevation Section 1-1

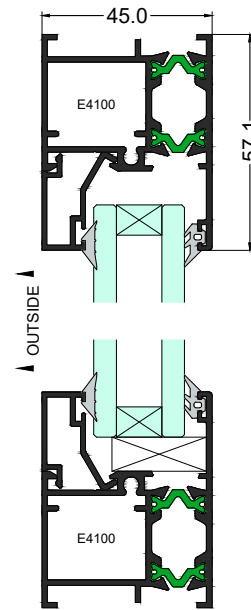
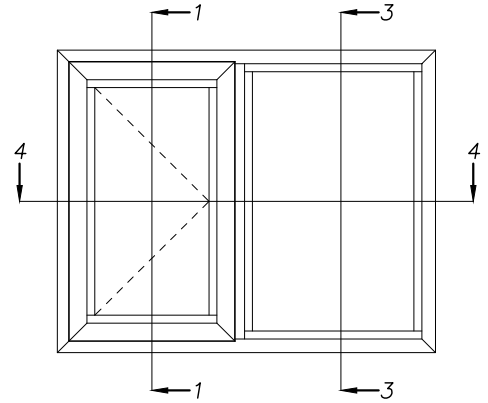


Plan Section 2-2

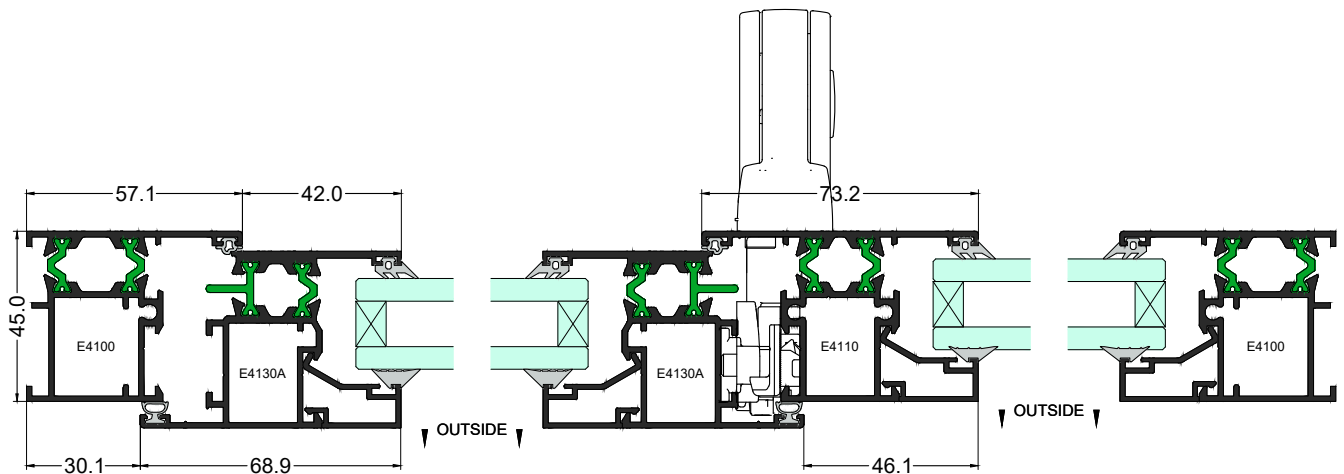
Layouts



Elevation Section 1-1

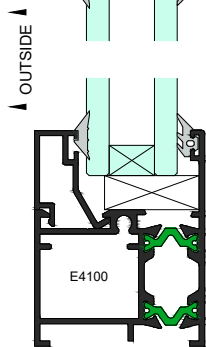
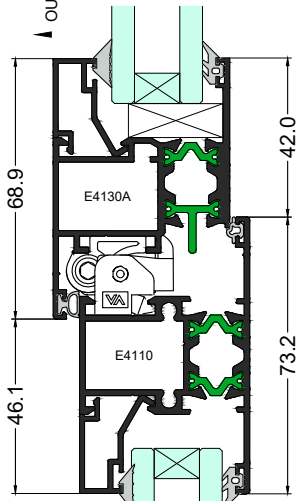
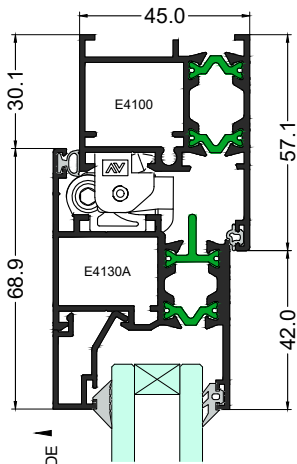


Elevation Section 3-3

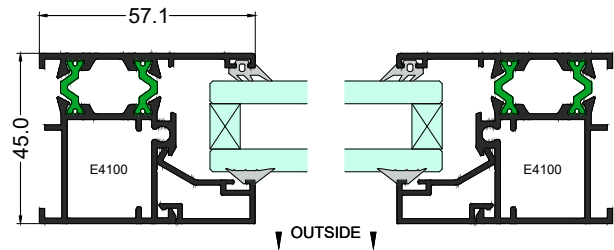
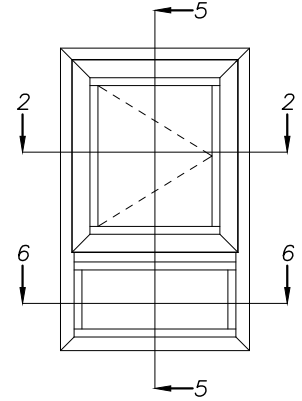


Plan Section 4-4

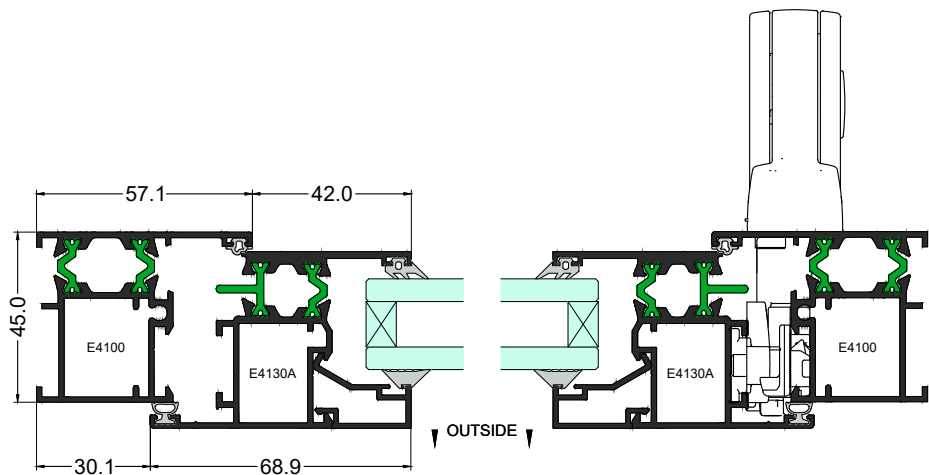
Layouts



Elevation Section 5-5

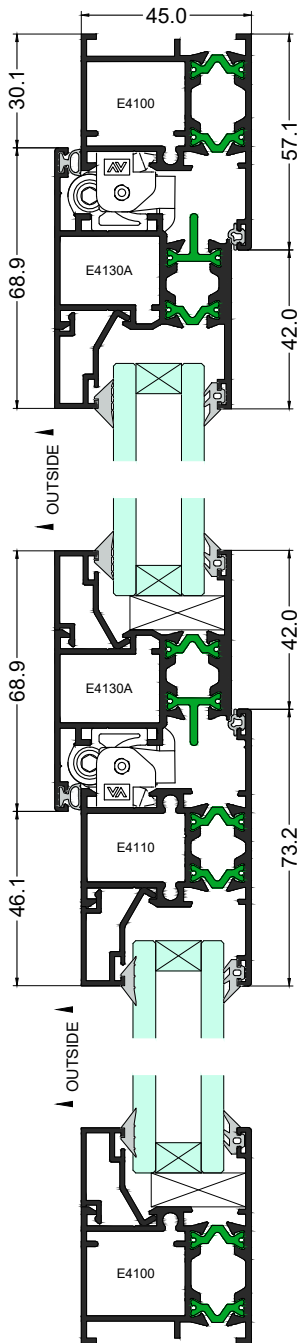
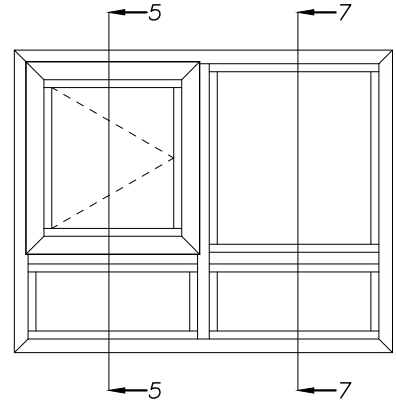


Plan Section 6-6

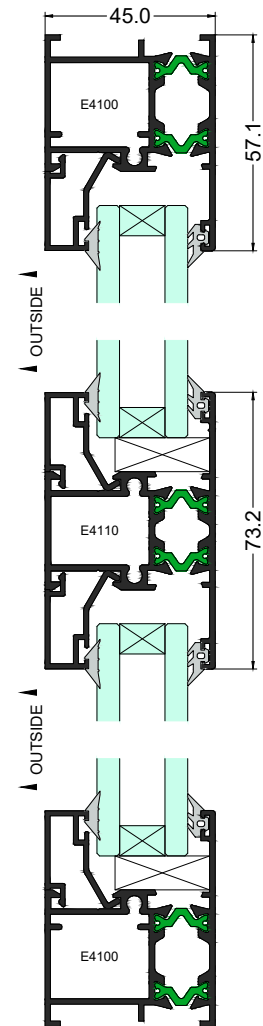


Plan Section 2-2

Layouts

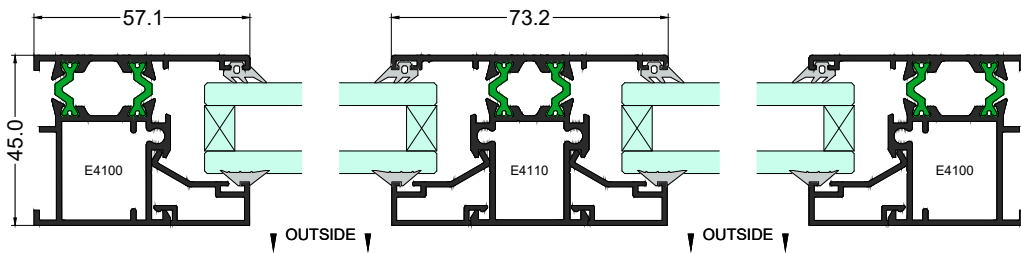
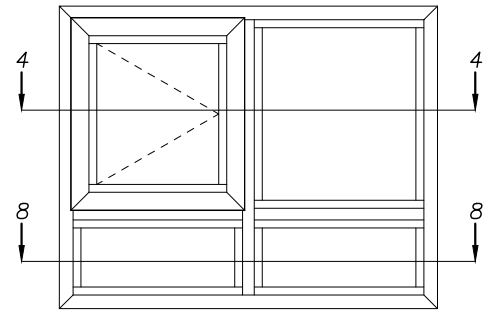


Elevation Section 5-5

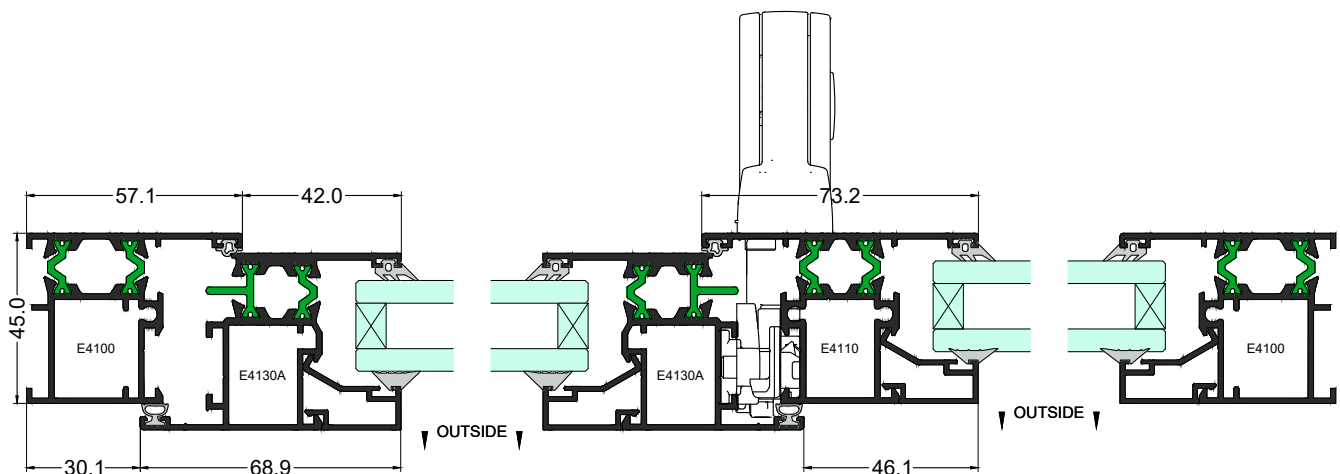


Elevation Section 7-7

Layouts



Plan Section 8-8



Plan Section 4-4