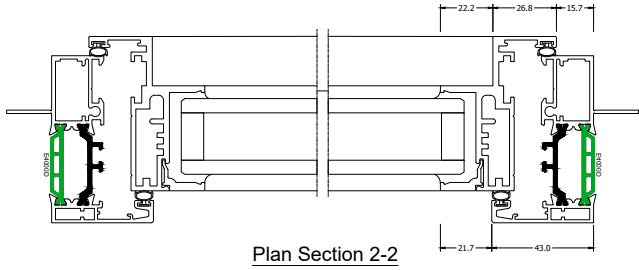
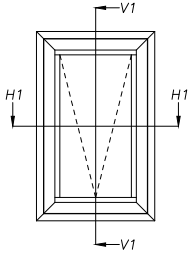
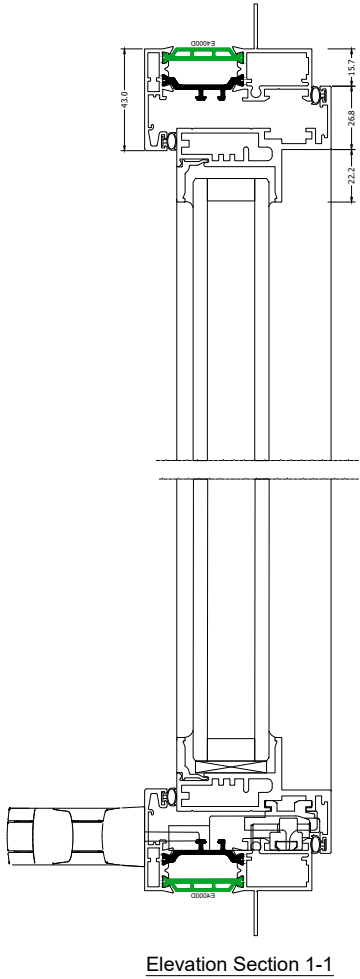


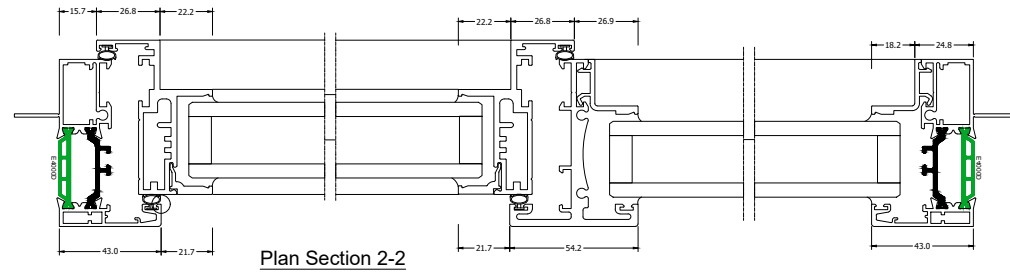
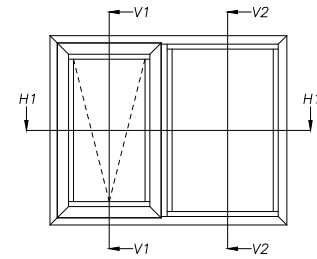
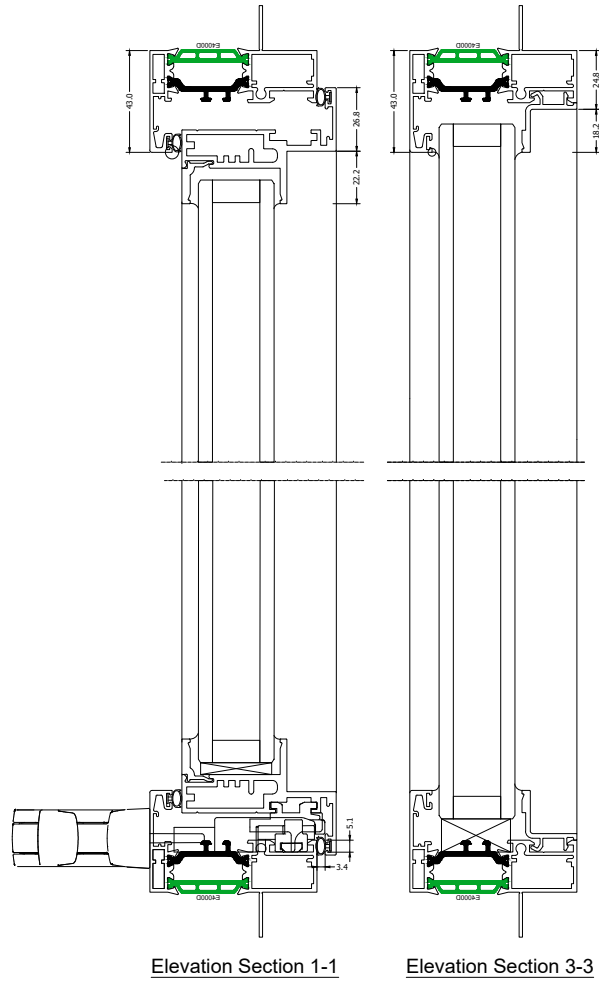
EC125

Awning Open out



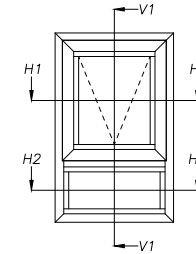
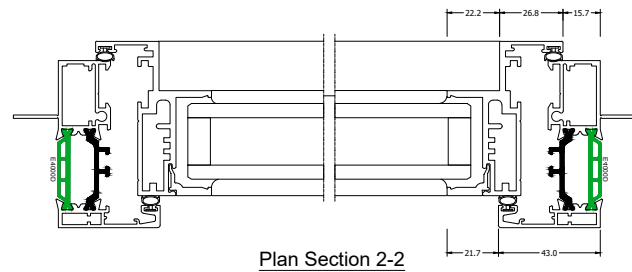
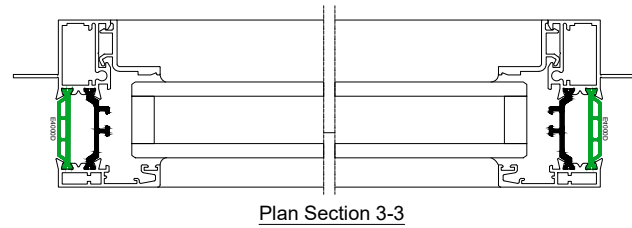
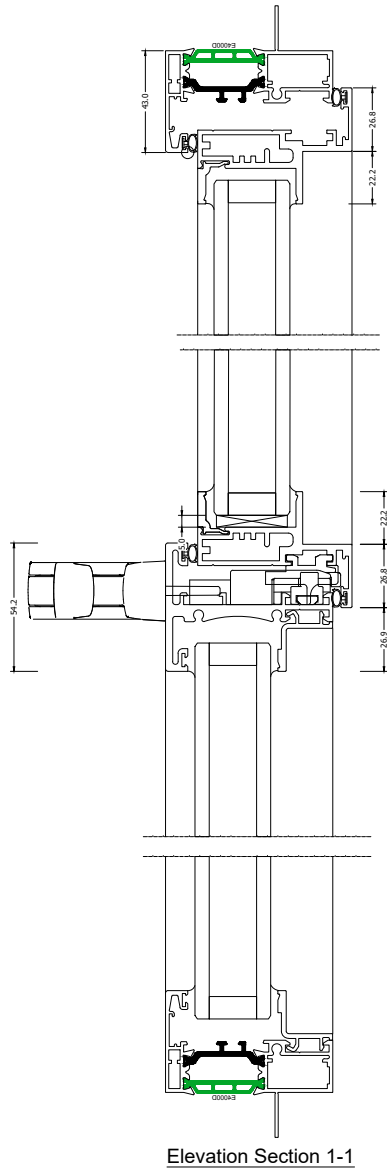
EC125

Awning Open out - Fix



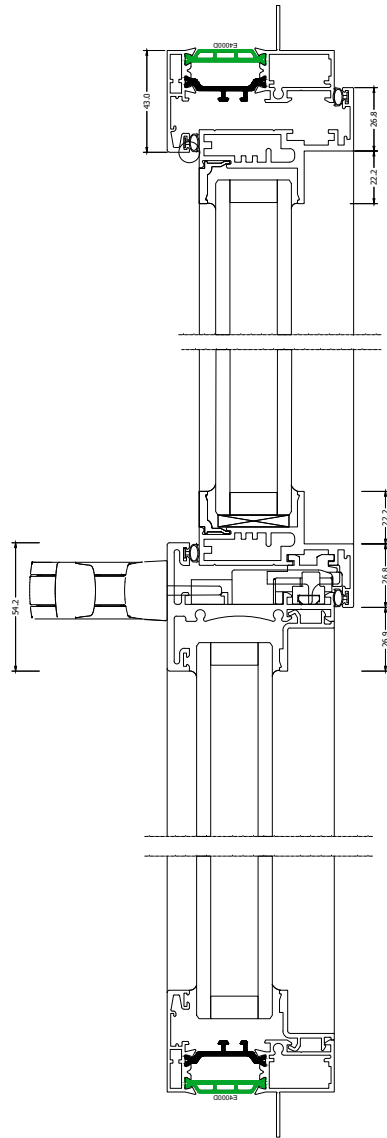
EC125

Awning Open out / Fix

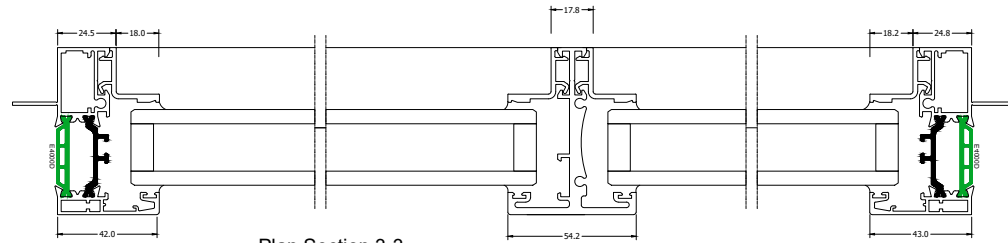
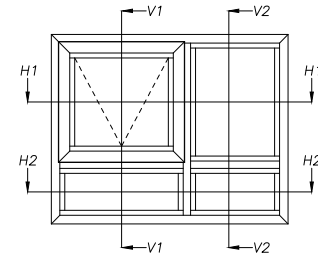


EC125

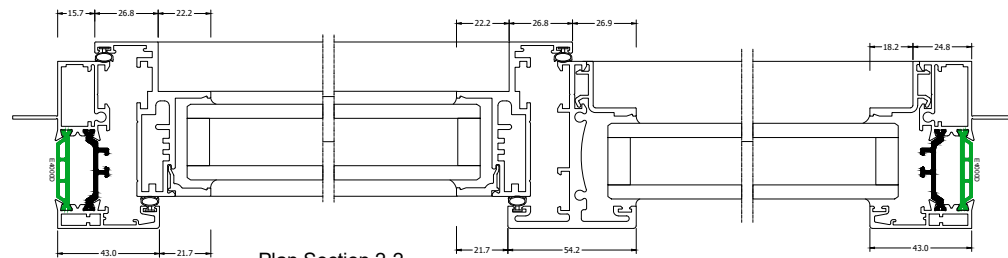
Awning Open out /Fix - Fix



Elevation Section 1-1

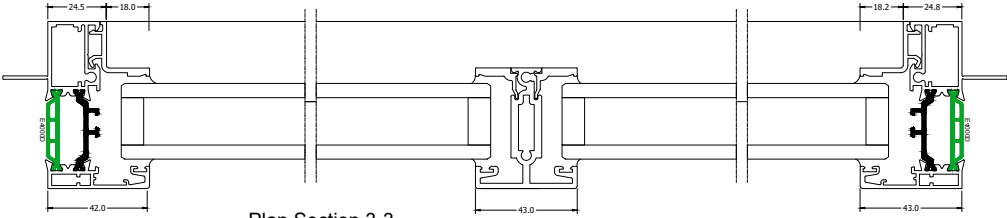
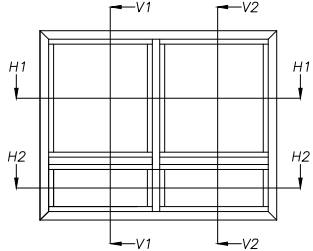
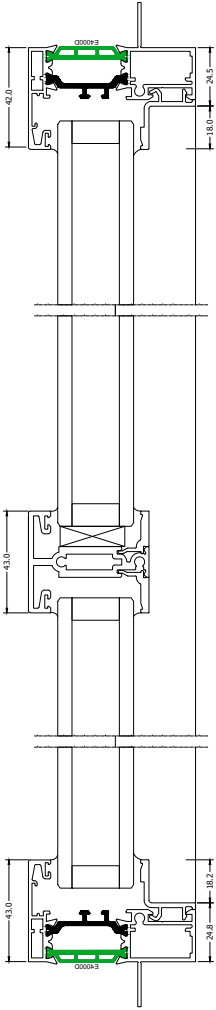


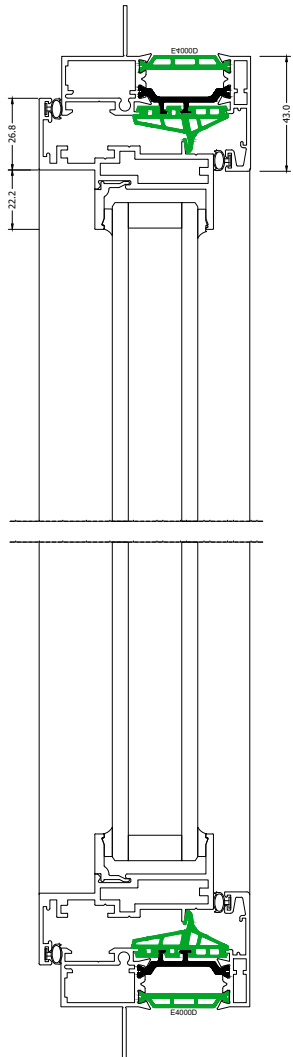
Plan Section 3-3



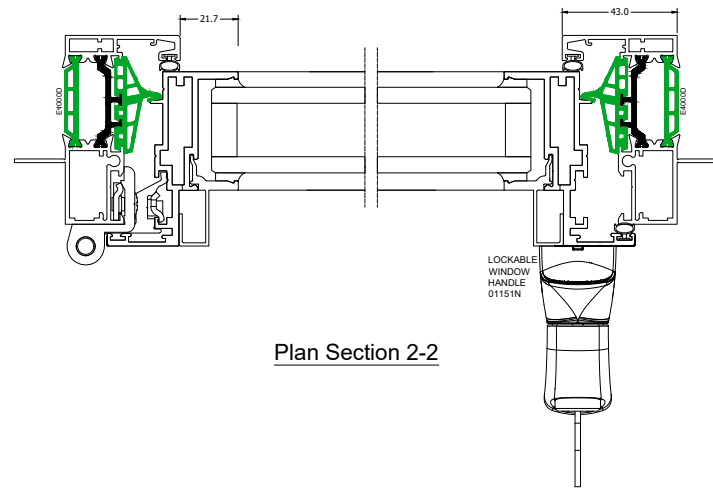
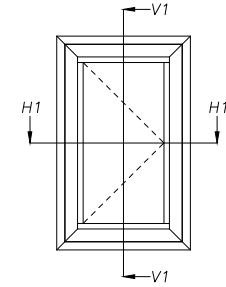
Plan Section 2-2

EC125
Fix Window

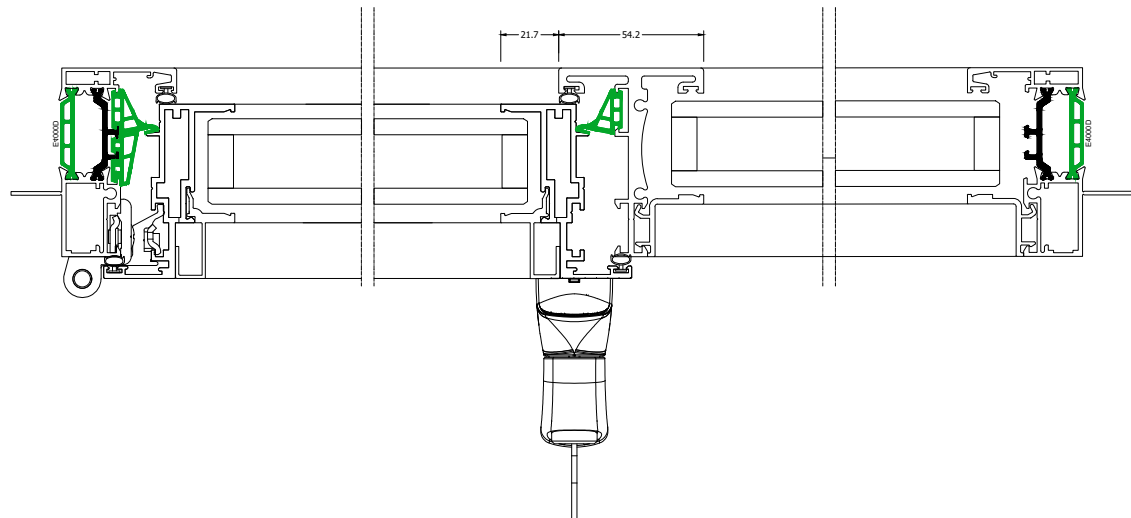
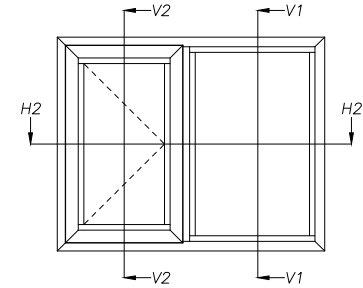
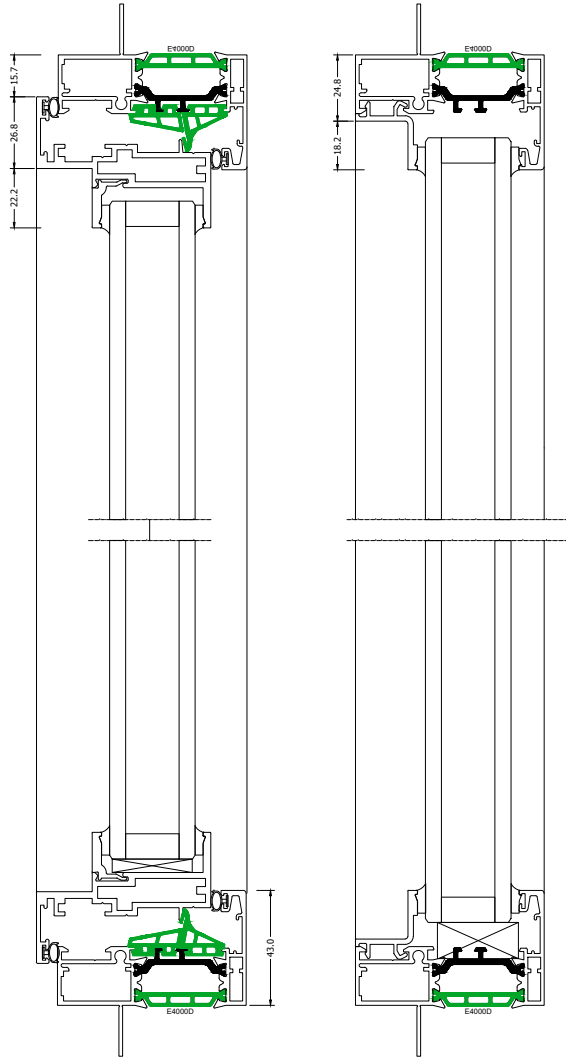


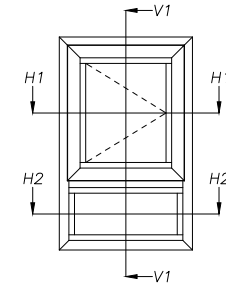
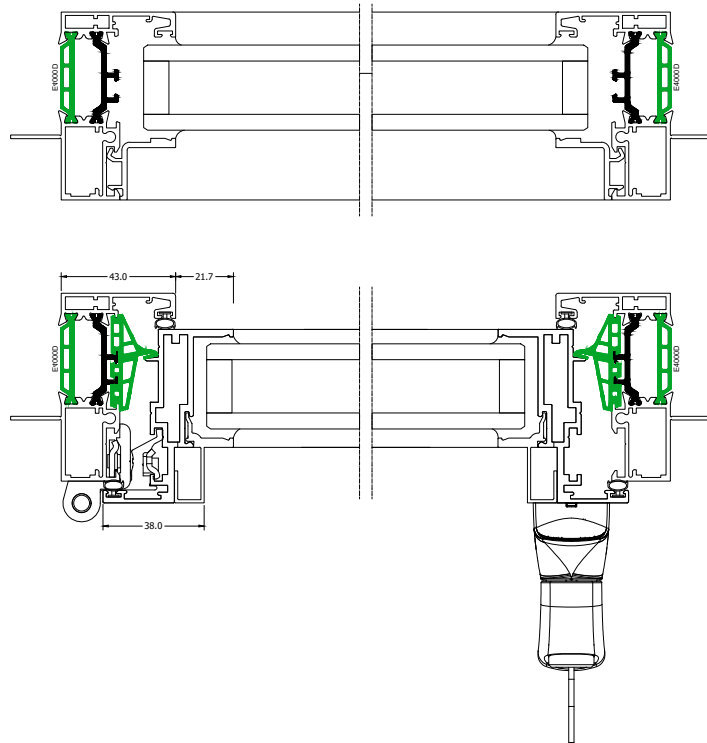
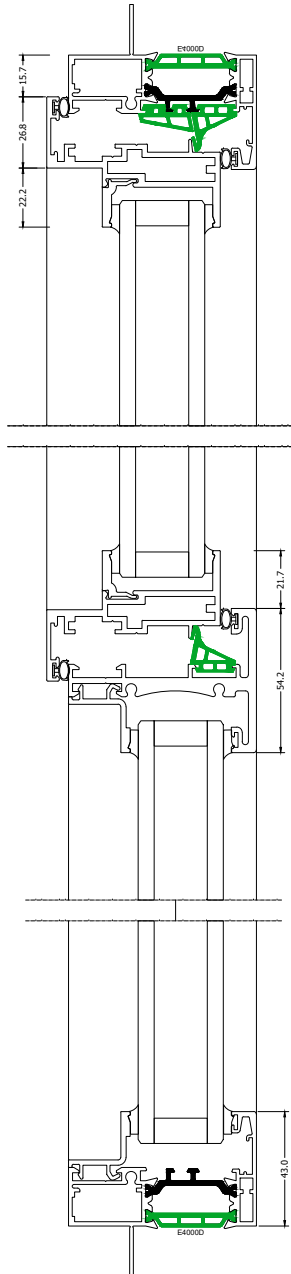


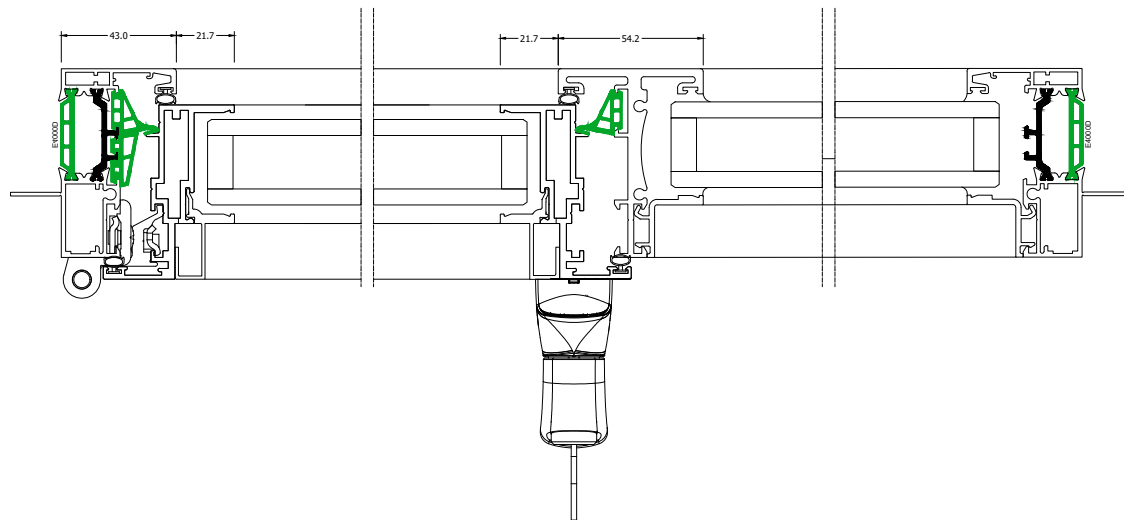
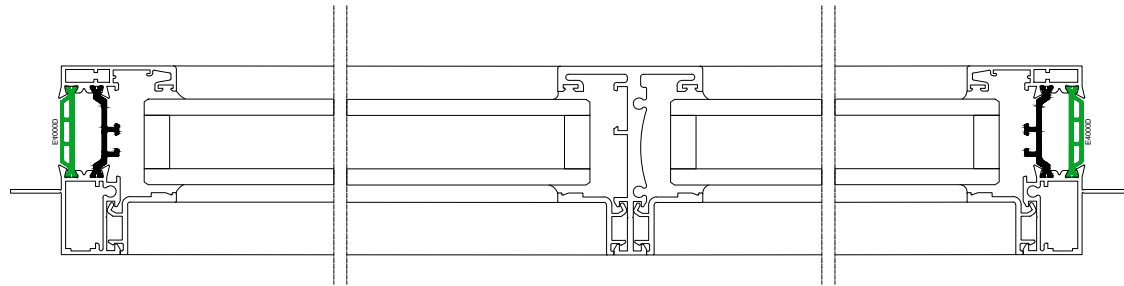
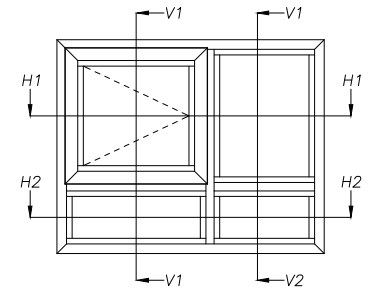
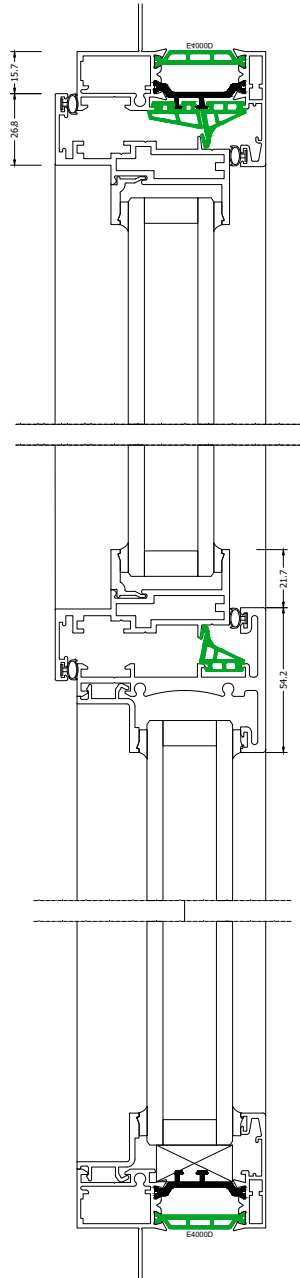
Elevation Section 1-1

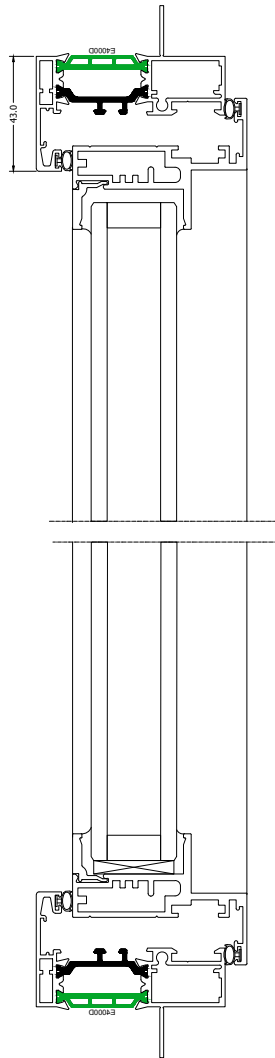


Plan Section 2-2



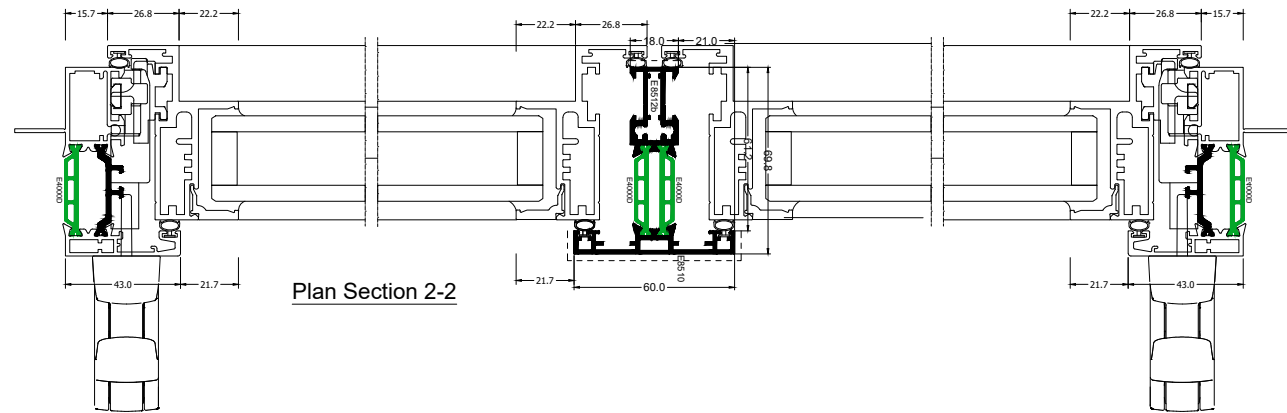
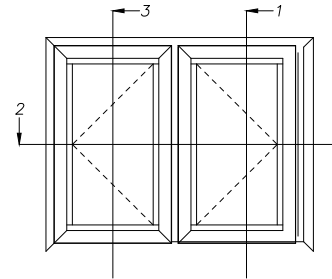




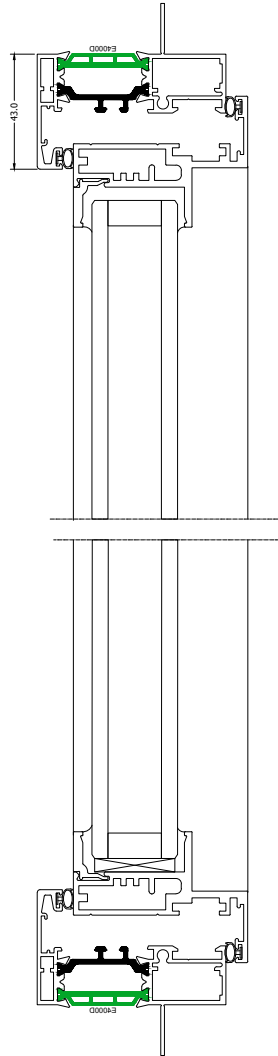


Elevation Section 1-1

Elevation Section 3-3

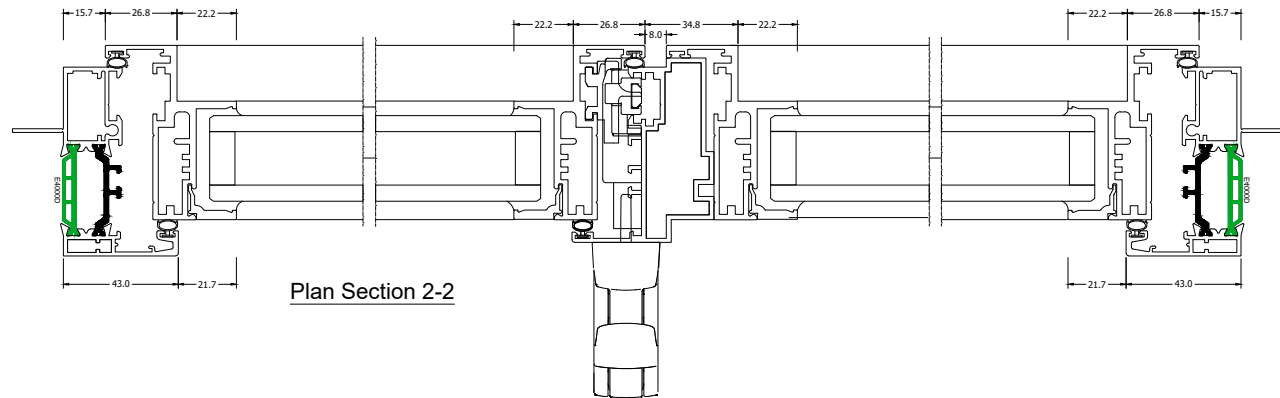
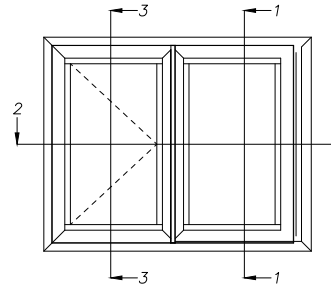


Plan Section 2-2

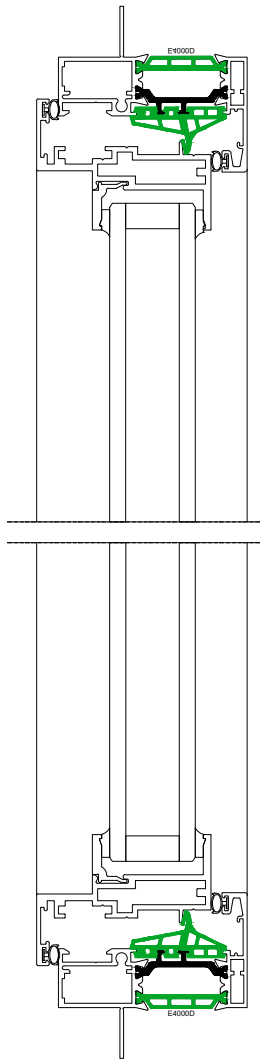


Elevation Section 1-1

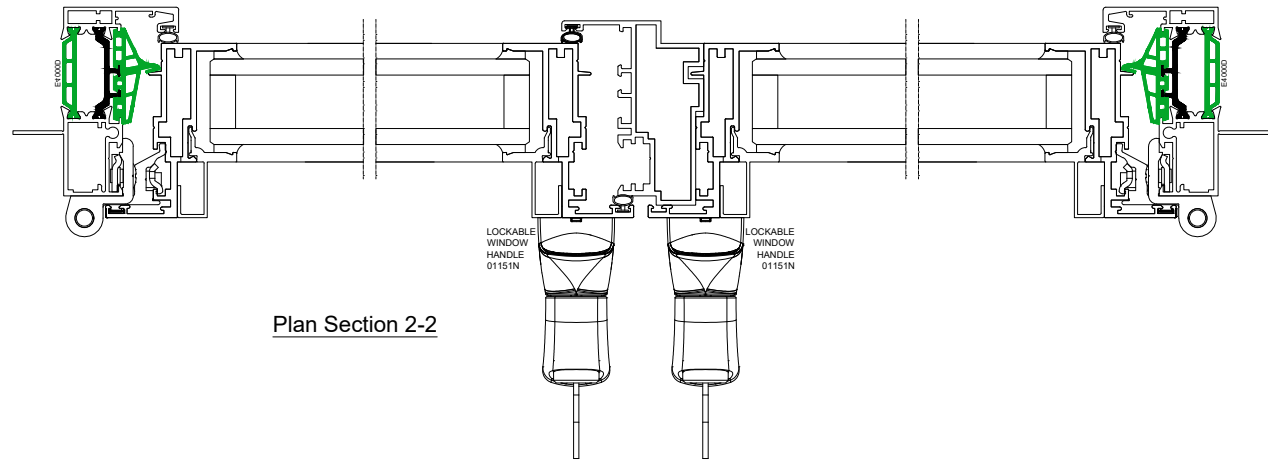
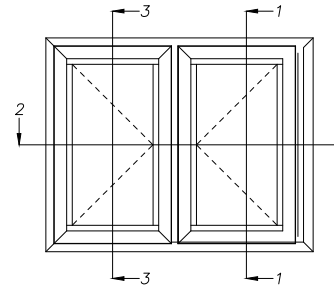
Elevation Section 3-3



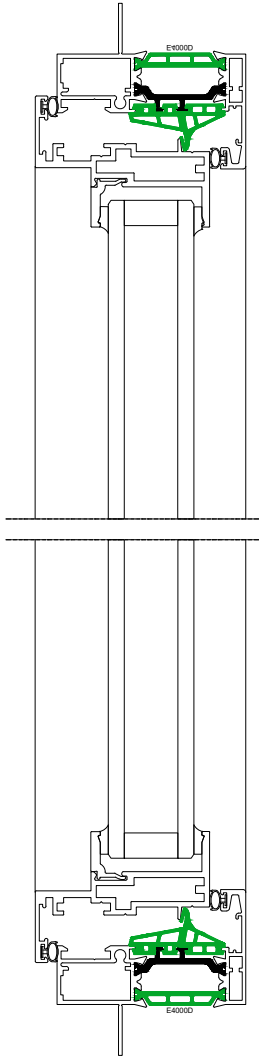
Plan Section 2-2



Elevation Section 1-1
Elevation Section 3-3

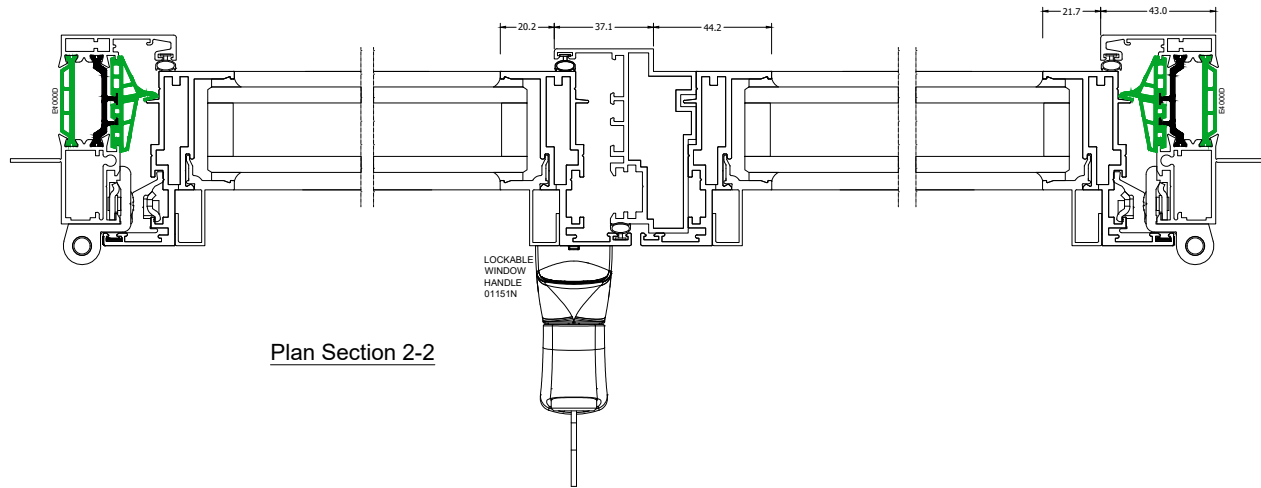
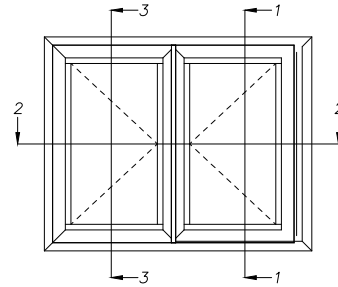


Plan Section 2-2

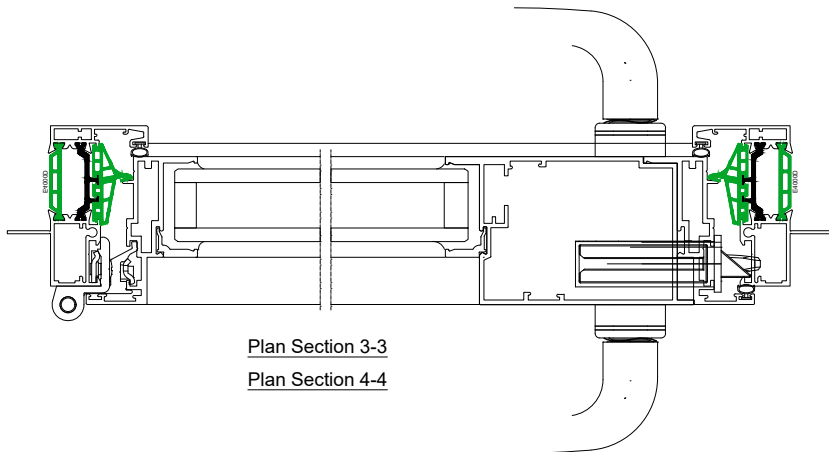
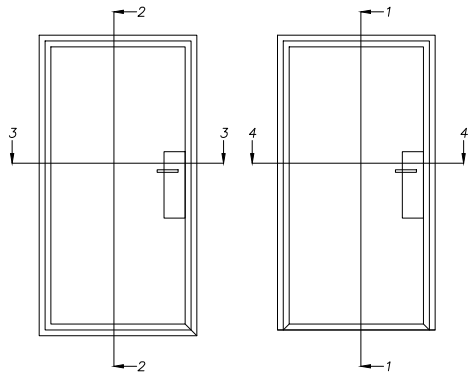


Elevation Section 1-1

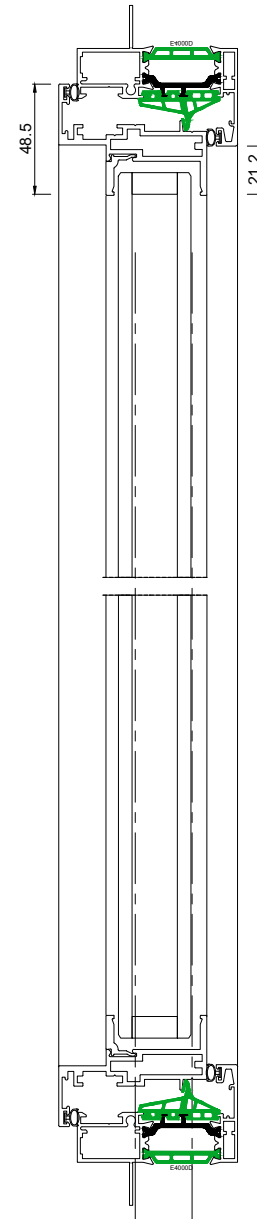
Elevation Section 3-3



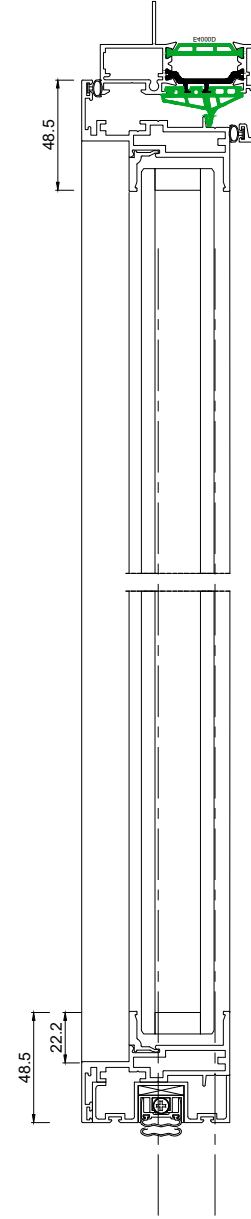
Plan Section 2-2



Plan Section 3-3
Plan Section 4-4



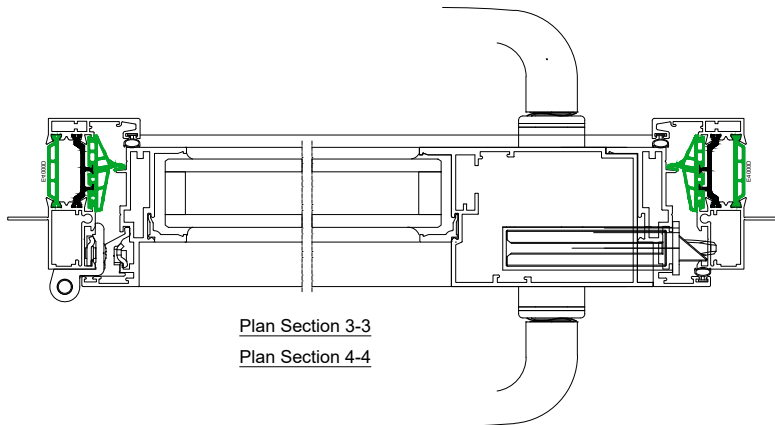
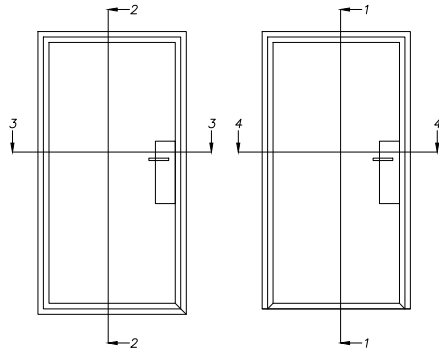
Elevation Section 2-2



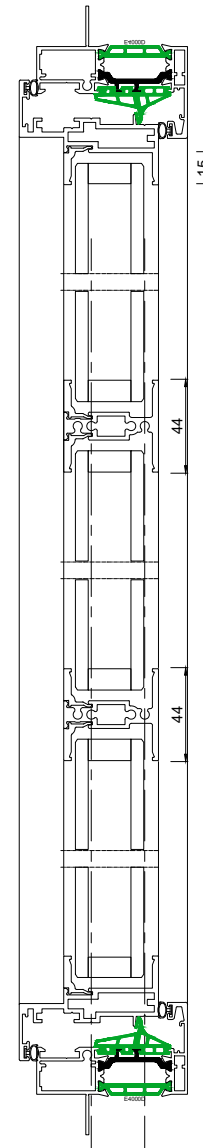
Elevation Section 1-1

EC125

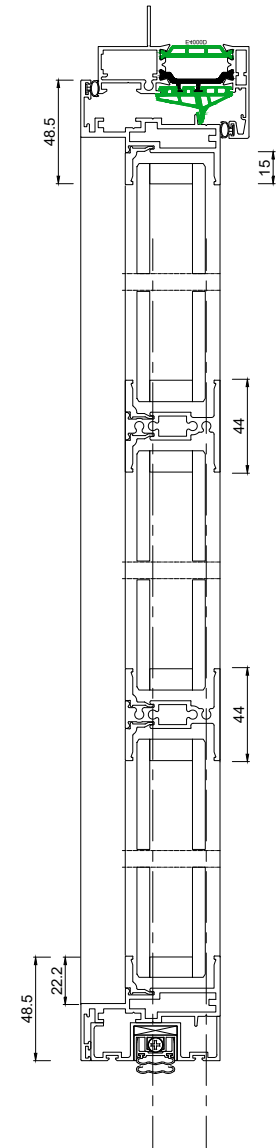
EC125 Hinged Door (Inward)



Plan Section 3-3
Plan Section 4-4



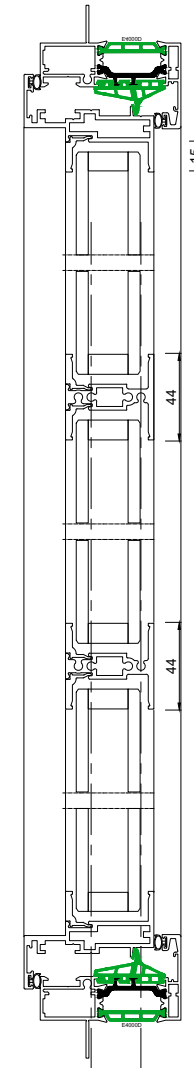
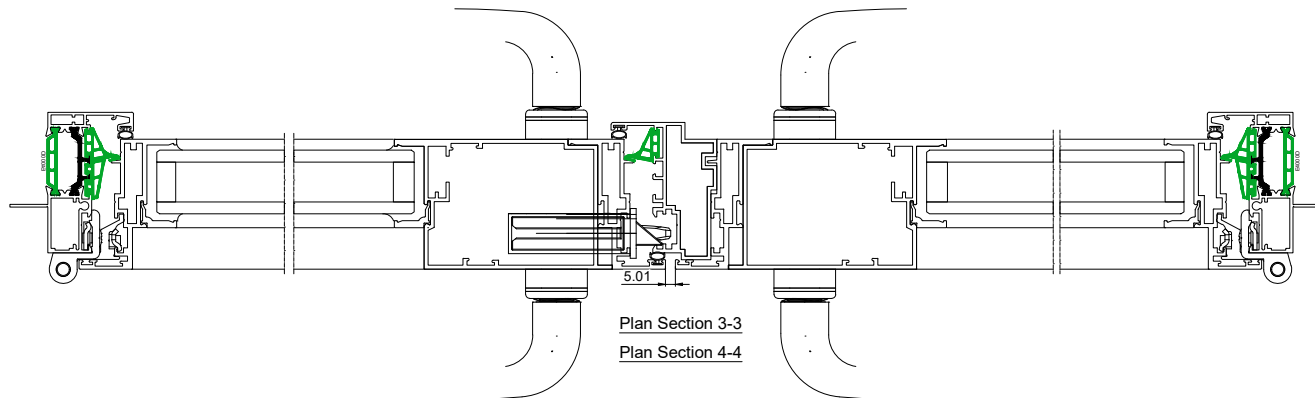
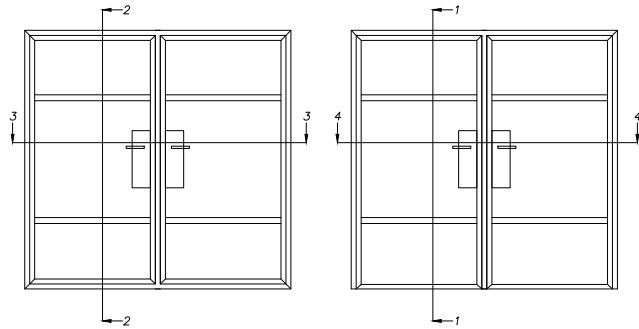
Elevation Section 2-2



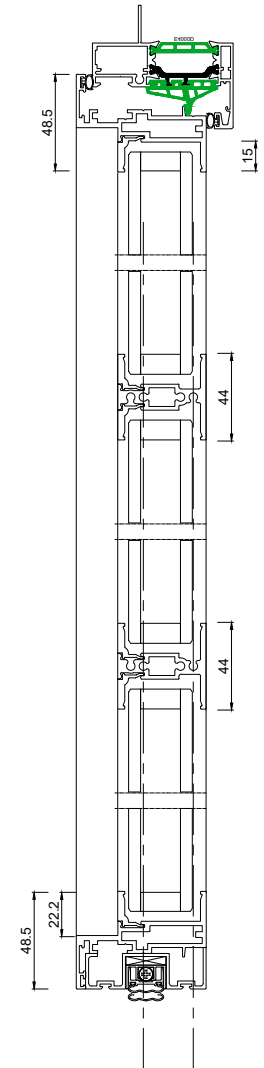
Elevation Section 1-1

EC125

EC125 Hinged Door (Inward)



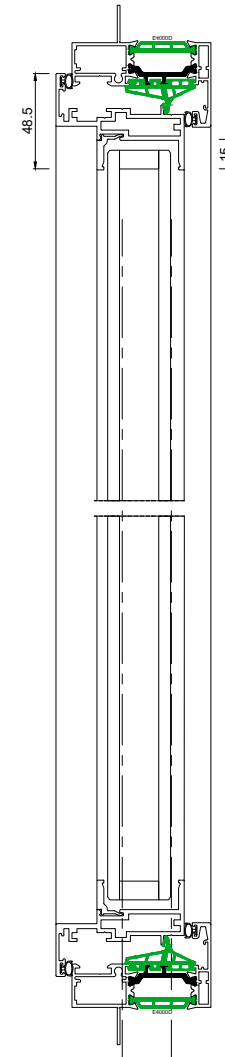
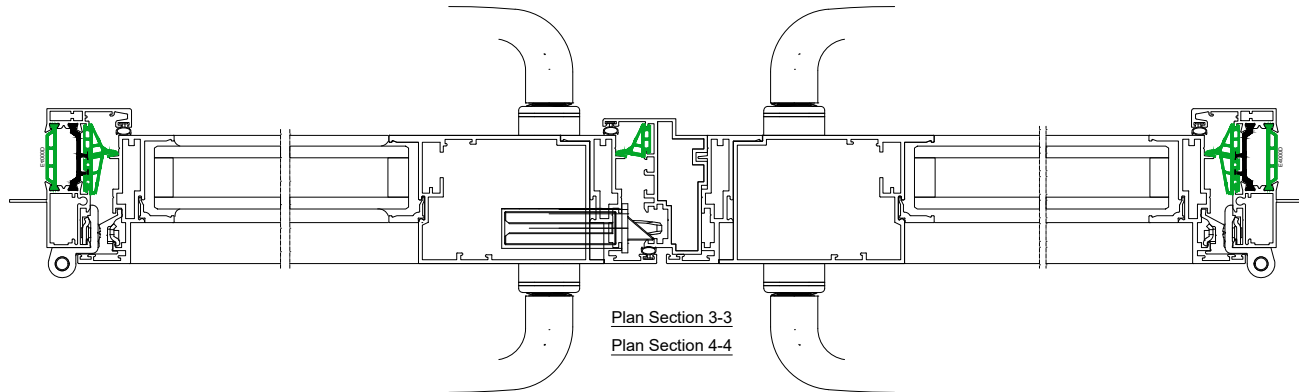
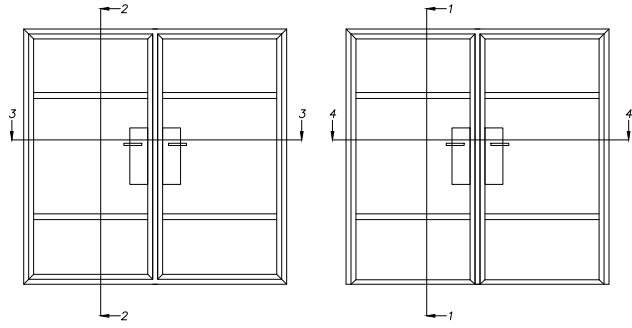
Elevation Section 2-2



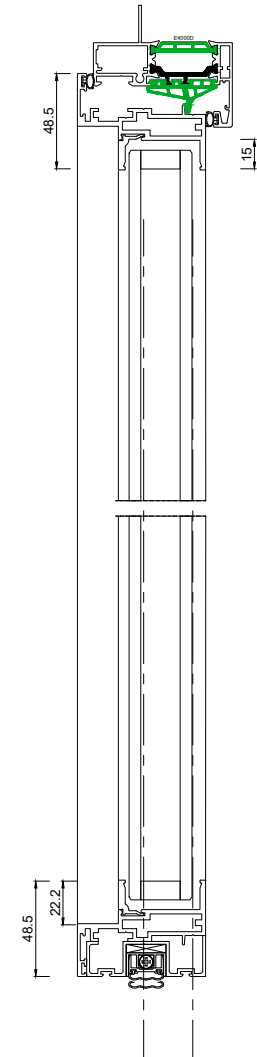
Elevation Section 1-1

EC125

EC125 Hinged Door (Inward)



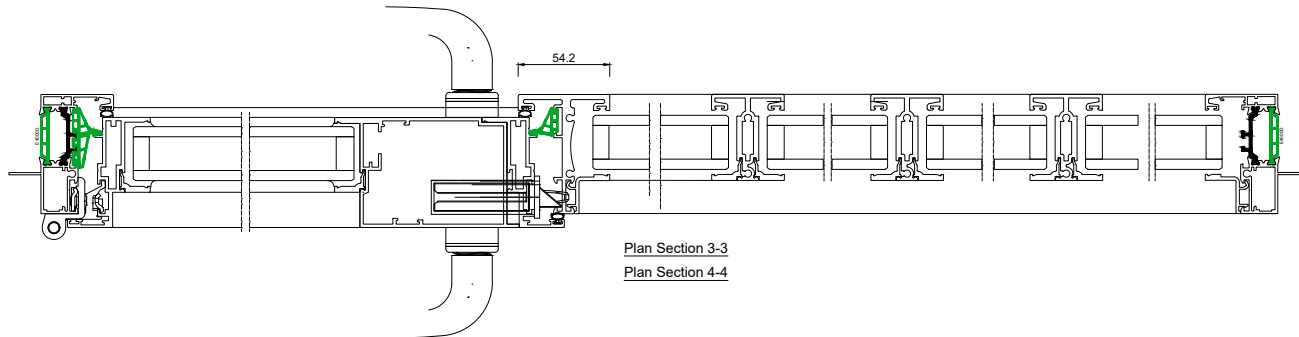
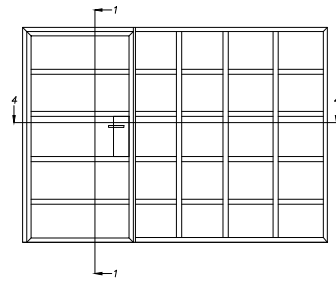
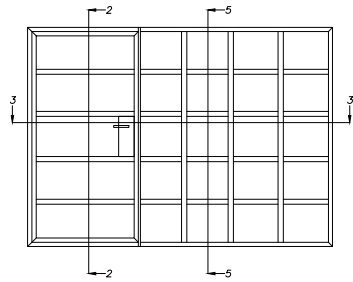
Elevation Section 2-2



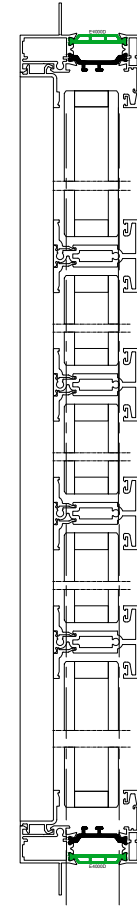
Elevation Section 1-1

EC125

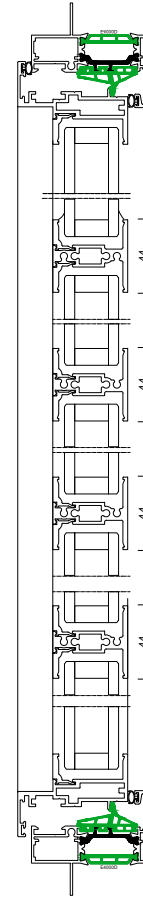
EC125 Hinged Door (Inward)



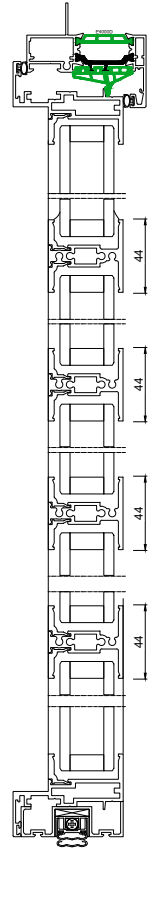
Plan Section 3-3
Plan Section 4-4



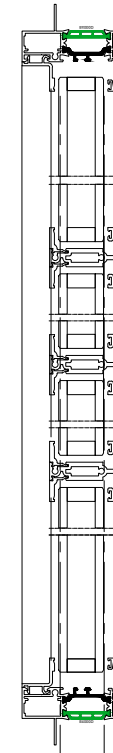
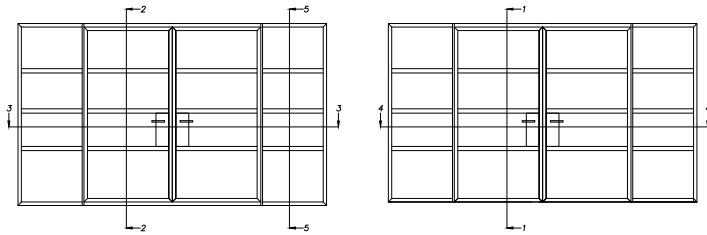
Elevation Section 5-5



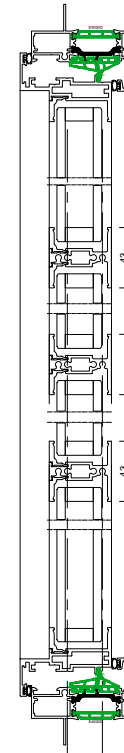
Elevation Section 2-2



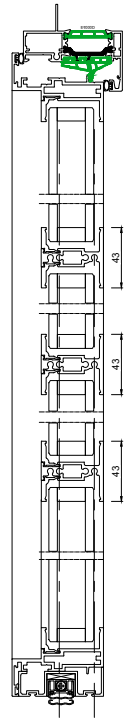
Elevation Section 1-1



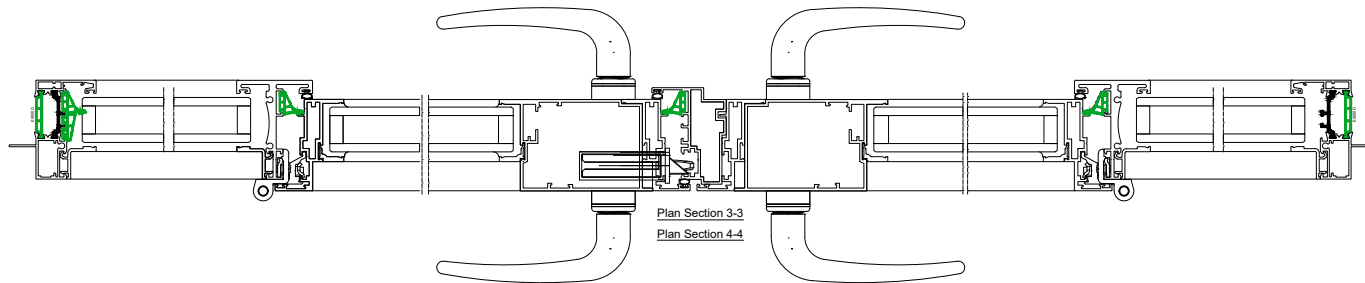
Elevation Section 5-5

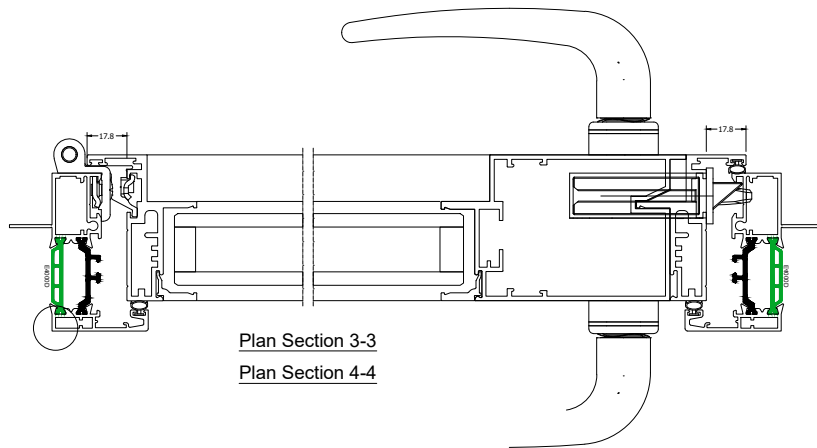
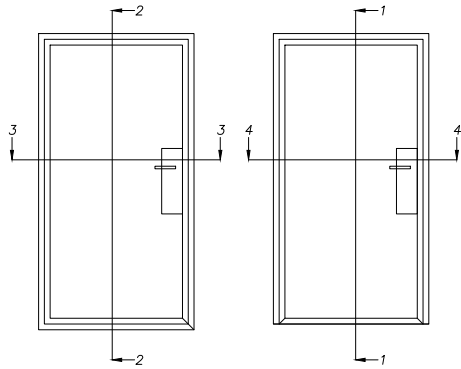


Elevation Section 2-2

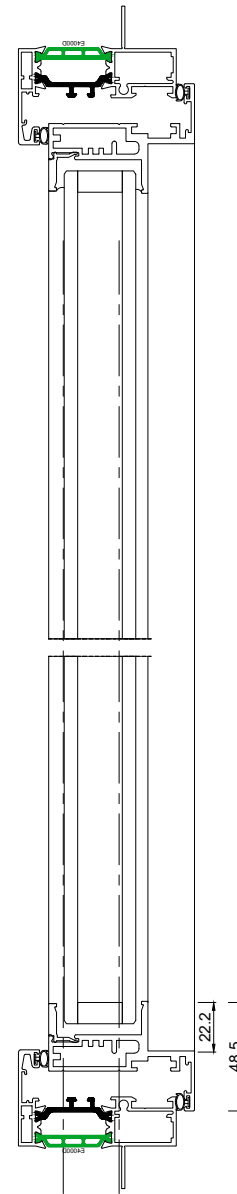


Elevation Section 1-1

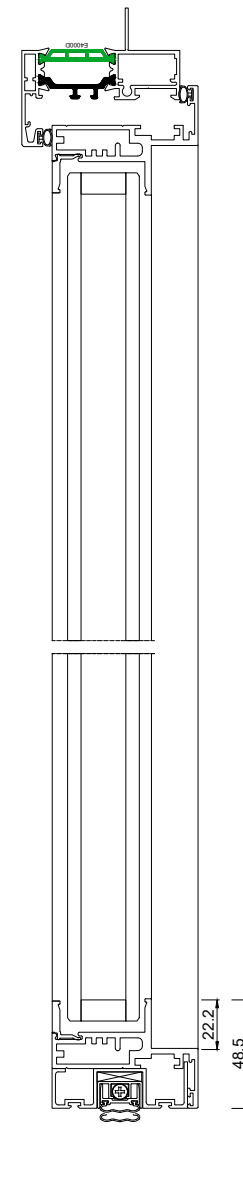




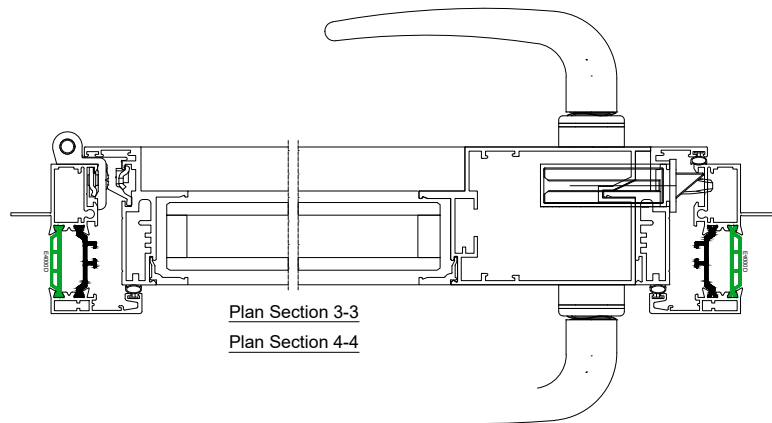
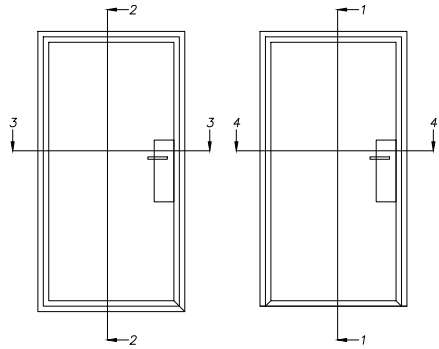
Plan Section 3-3
Plan Section 4-4



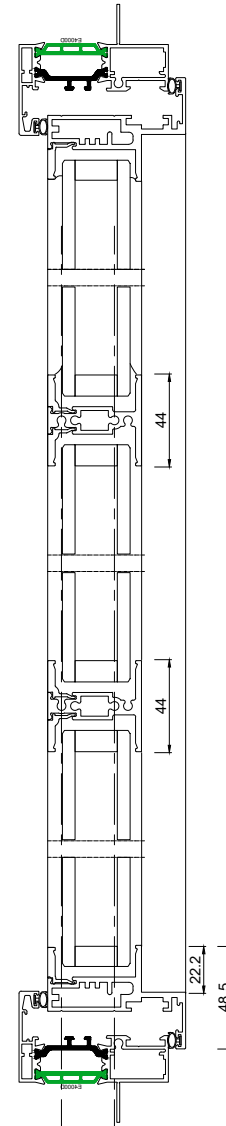
Elevation Section 2-2



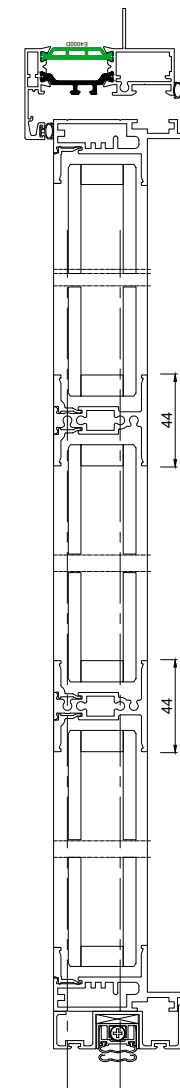
Elevation Section 1-1



Plan Section 3-3
Plan Section 4-4



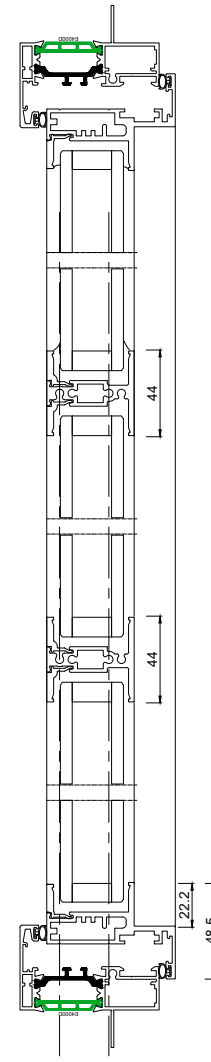
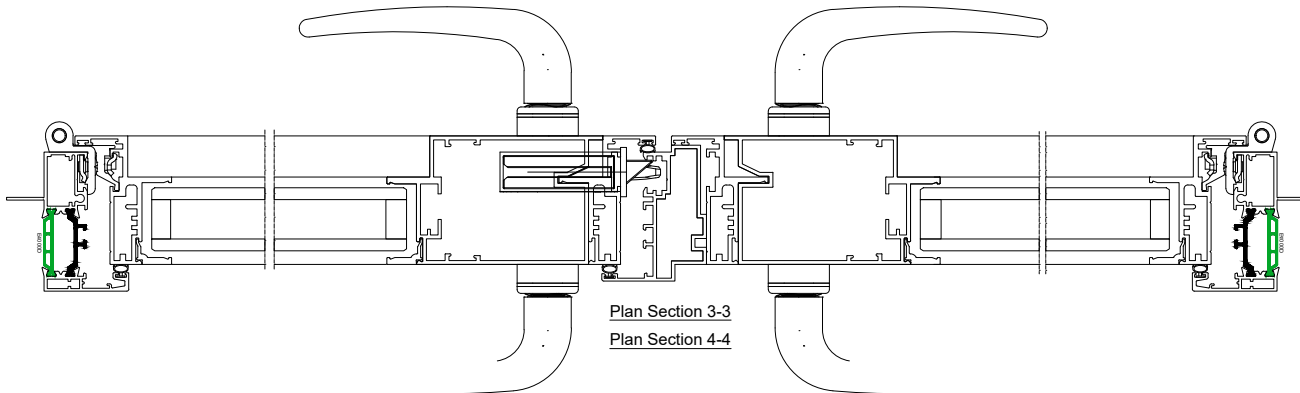
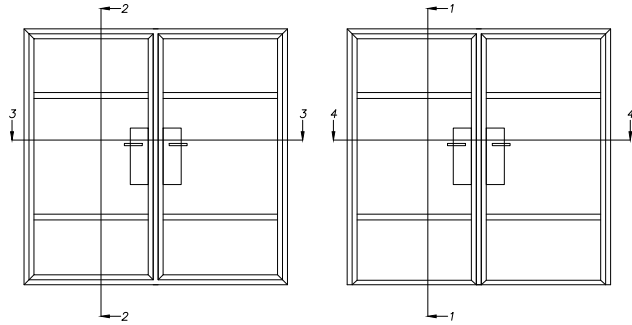
Elevation Section 2-2



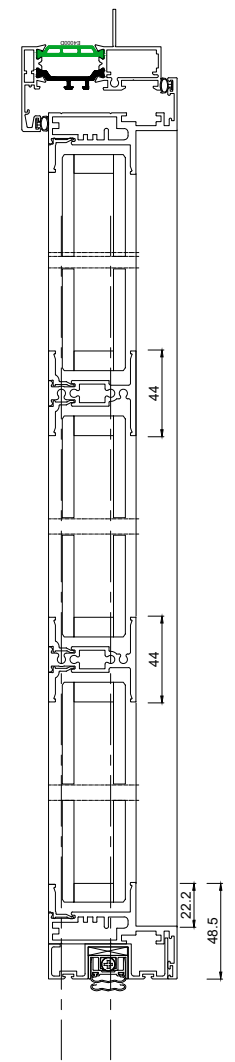
Elevation Section 1-1

EC125

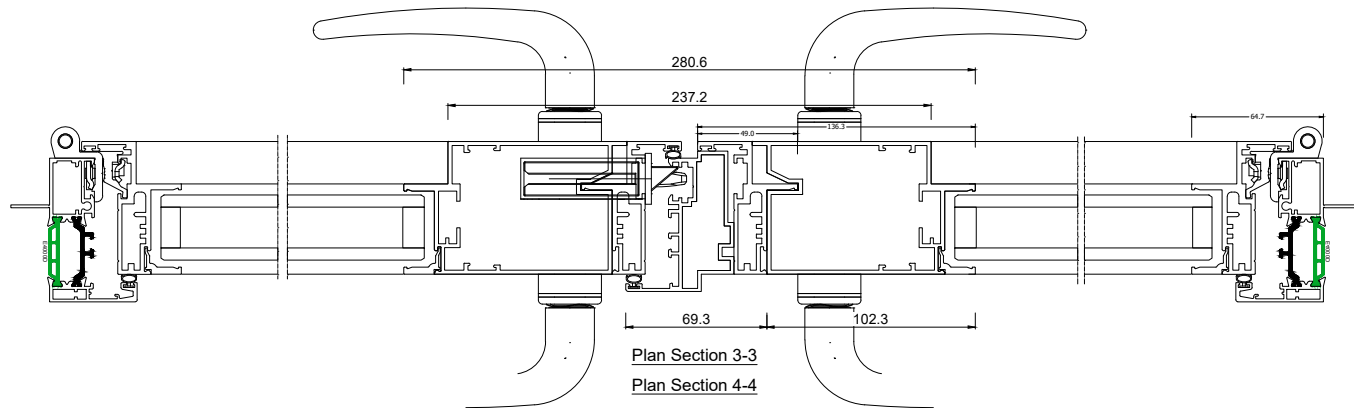
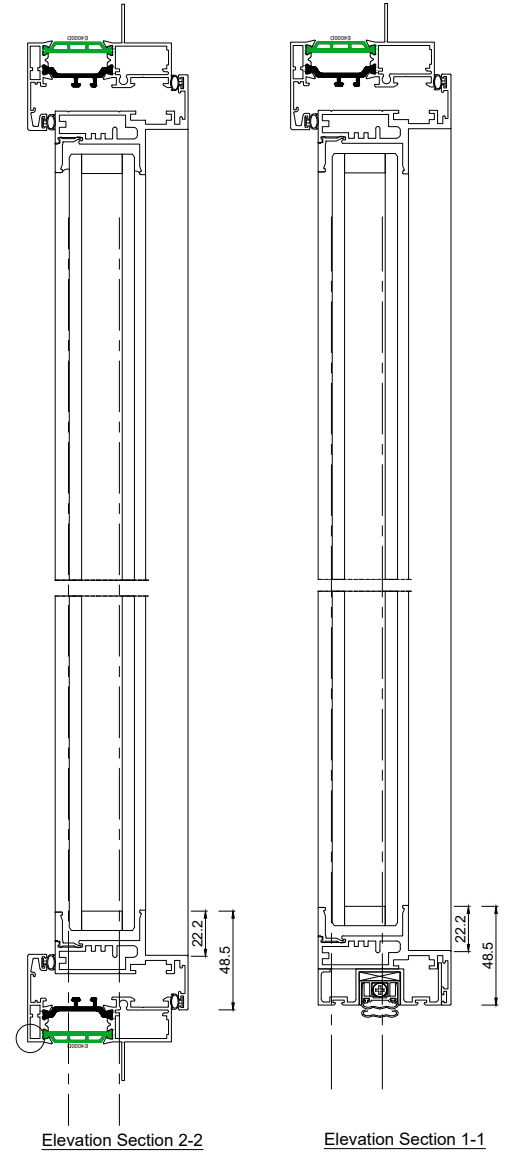
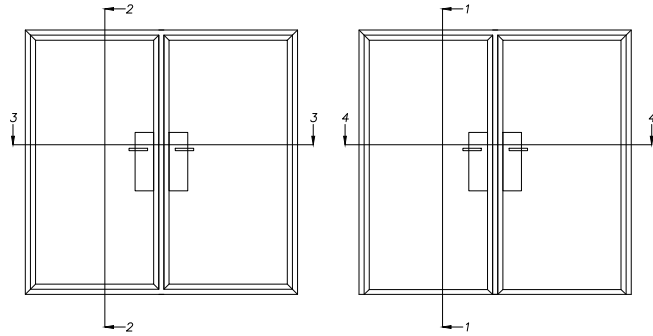
EC125 Hinged Door (Outward)



Elevation Section 2-2

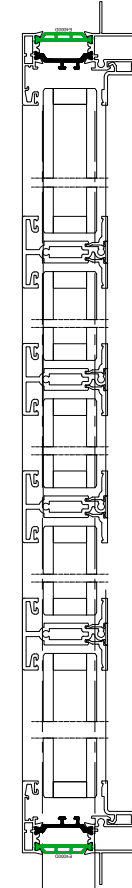
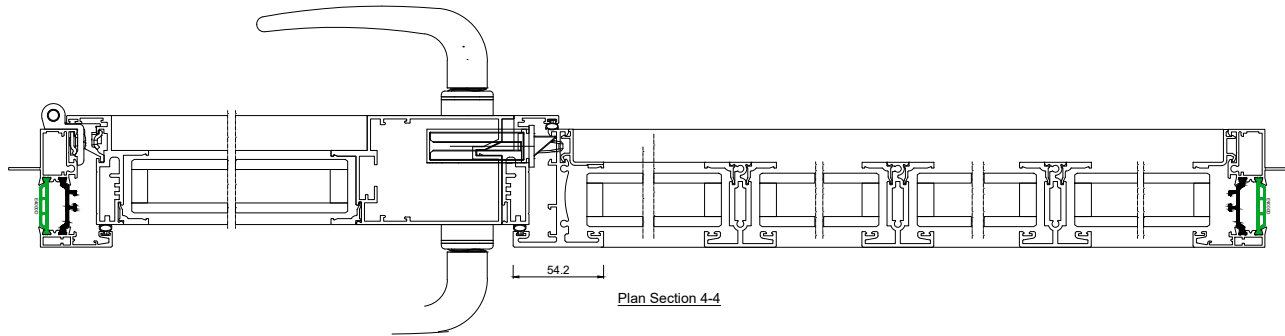
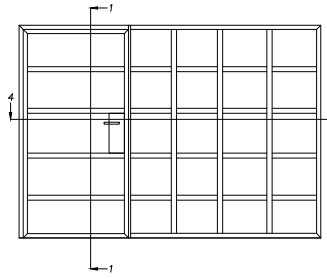
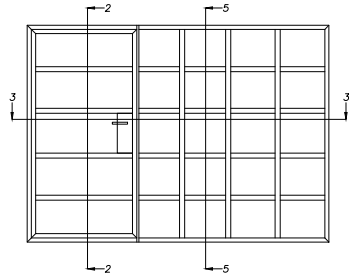


Elevation Section 1-1

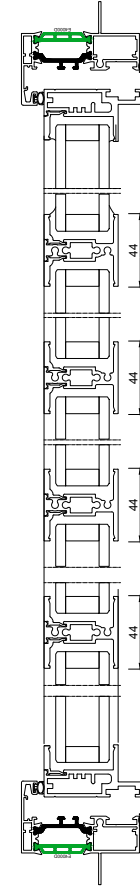


EC125

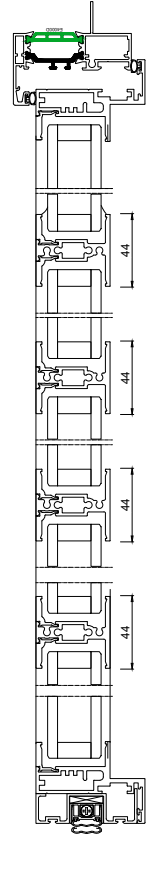
EC125 Hinged Door (Outward)



Elevation Section 5-5



Elevation Section 2-2



Elevation Section 1-1

