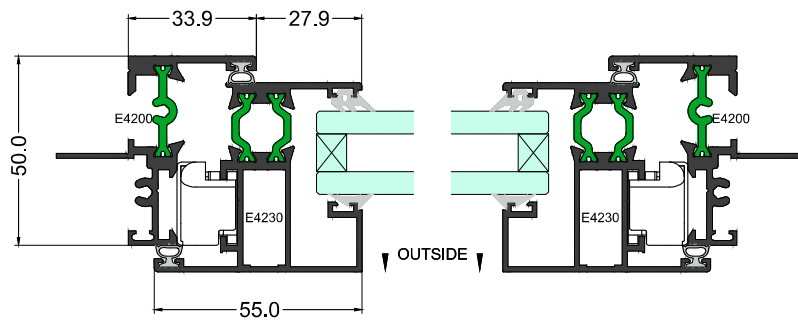
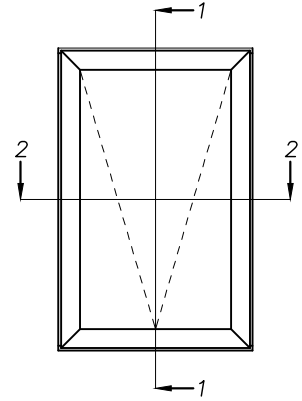
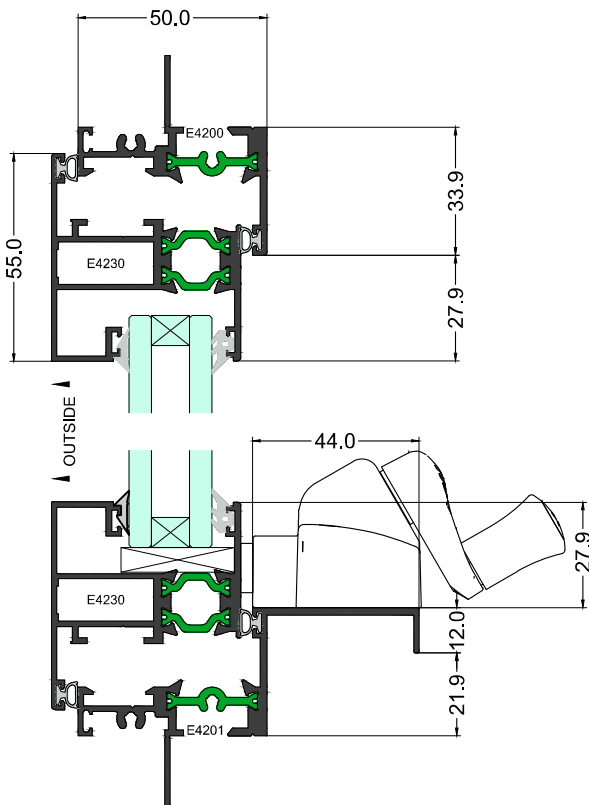


Layouts

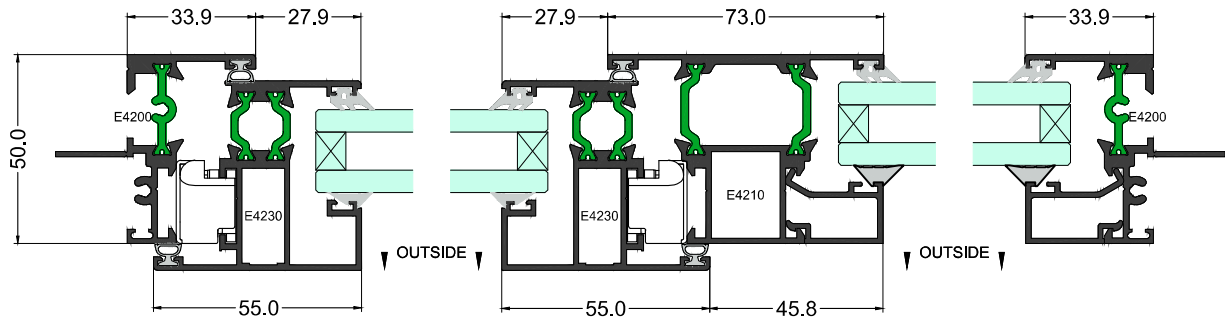
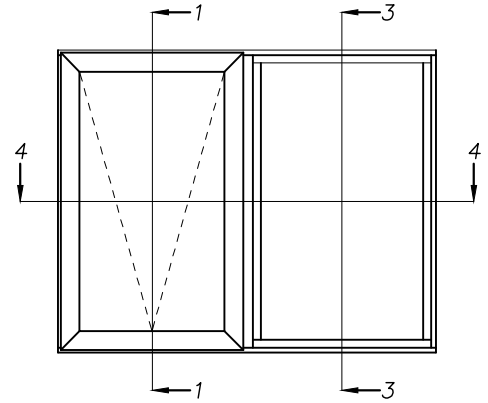


Plan Section 2-2

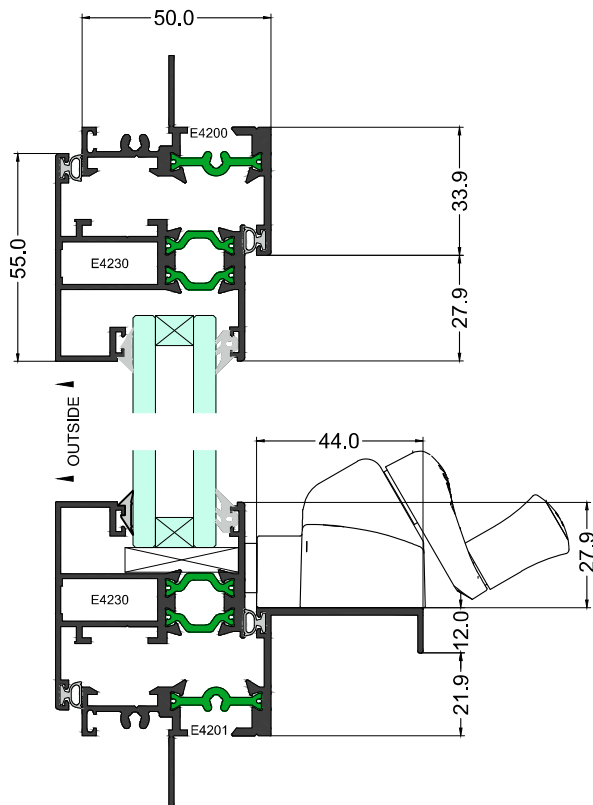


Elevation Section 1-1

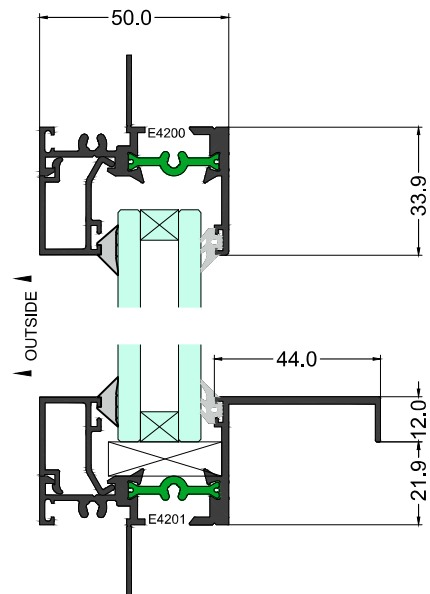
Layouts



Plan Section 4-4

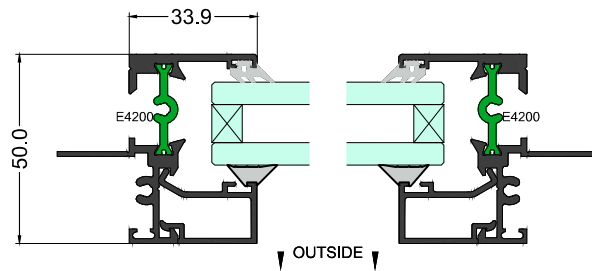
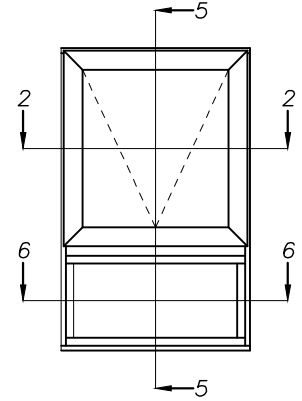
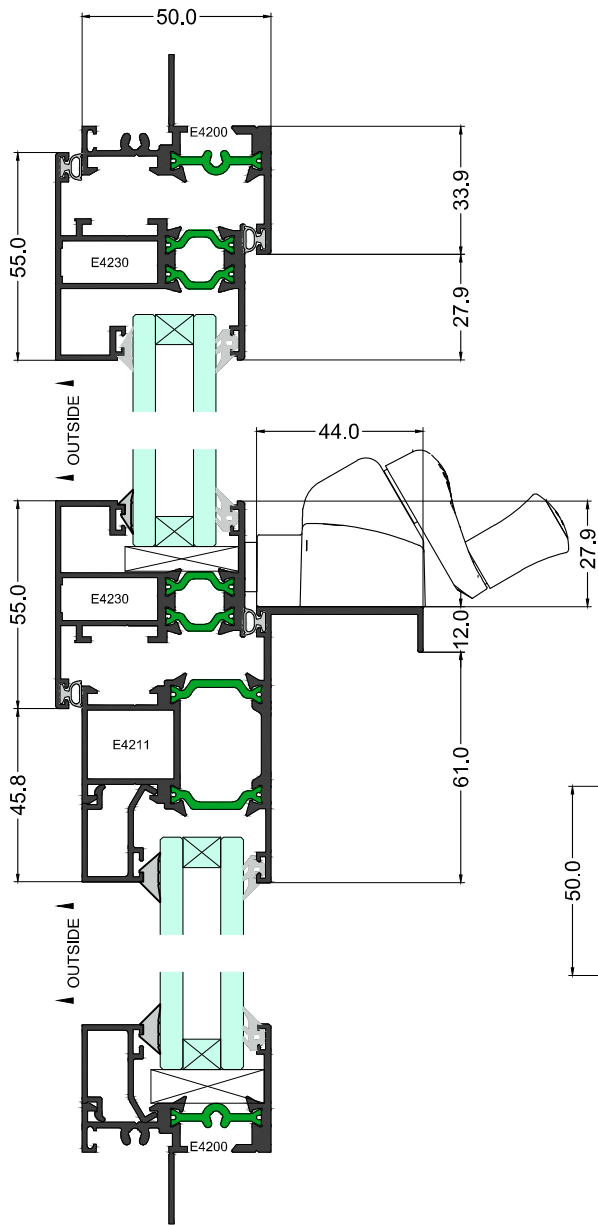


Elevation Section 1-1



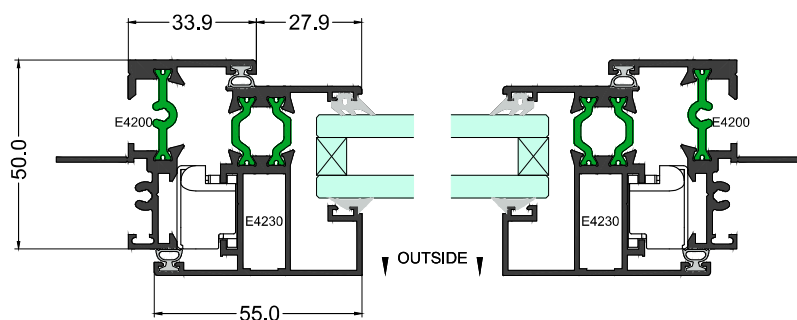
Elevation Section 3-3

Layouts



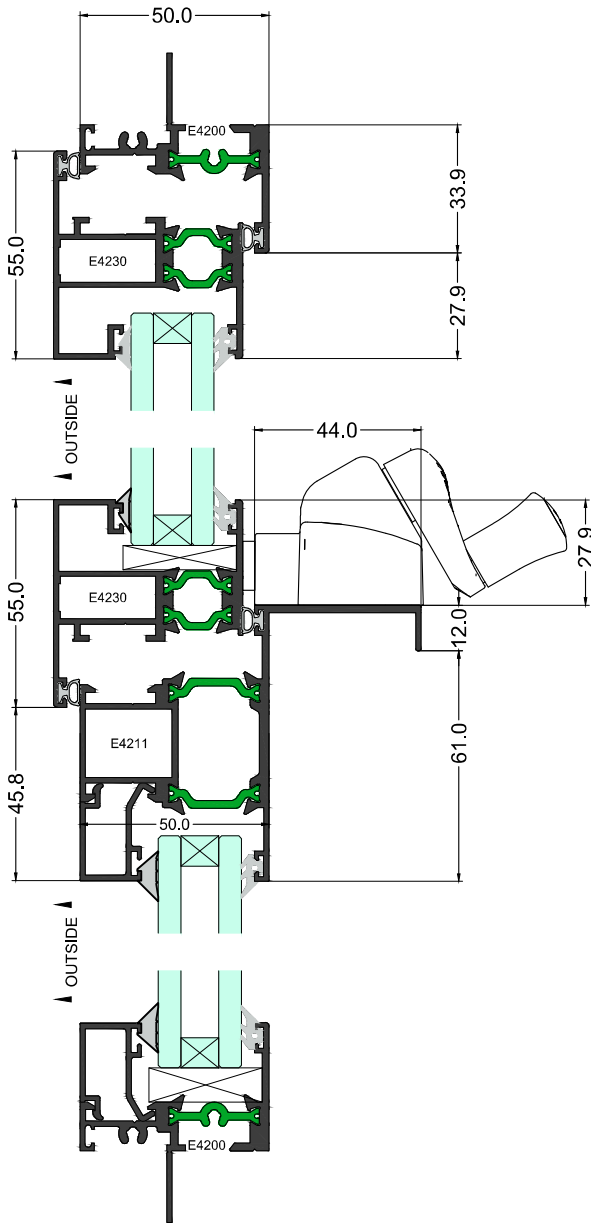
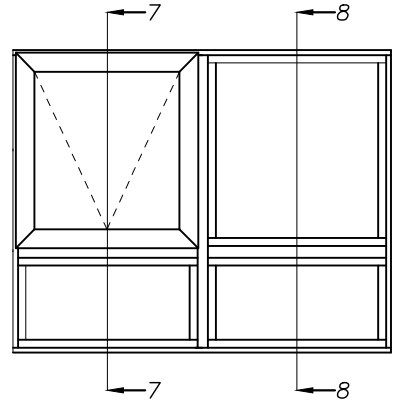
Plan Section 6-6

Elevation Section 5-5

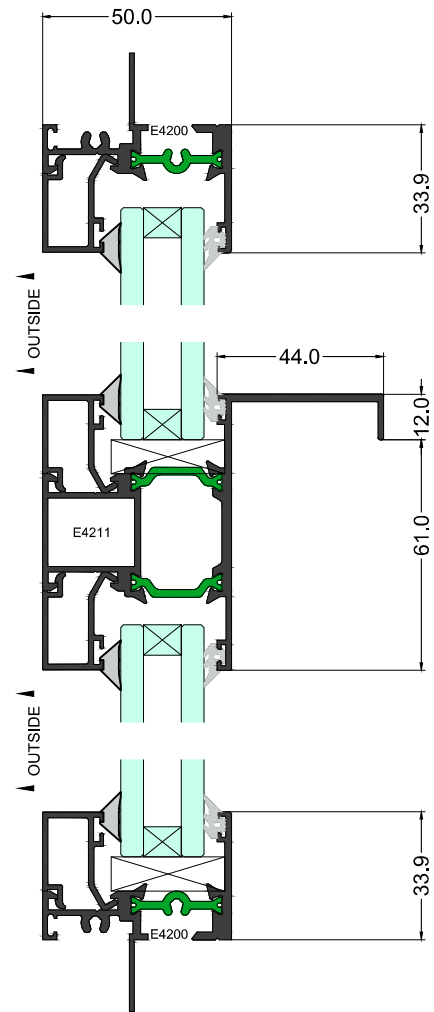


Plan Section 2-2

Layouts



Elevation Section 7-7



Elevation Section 8-8