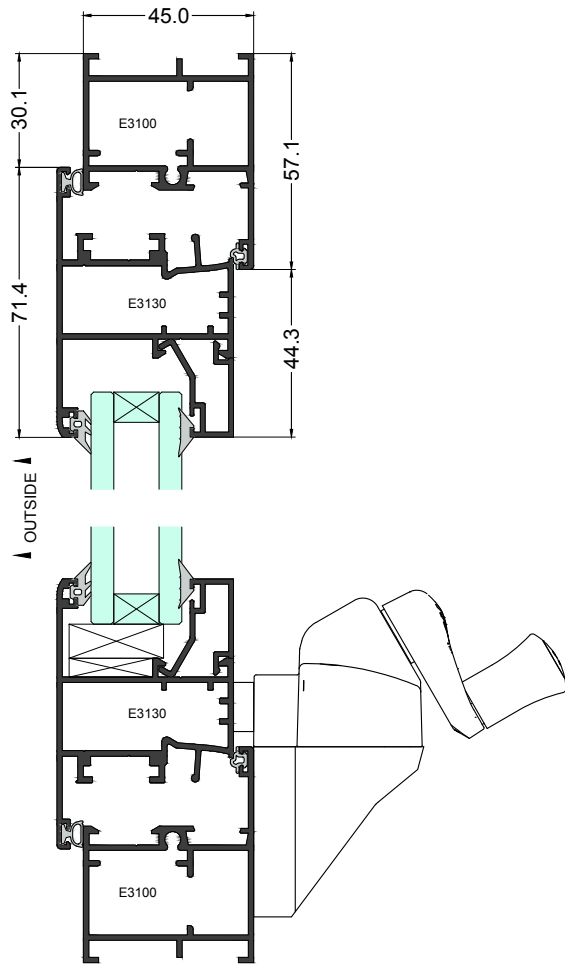
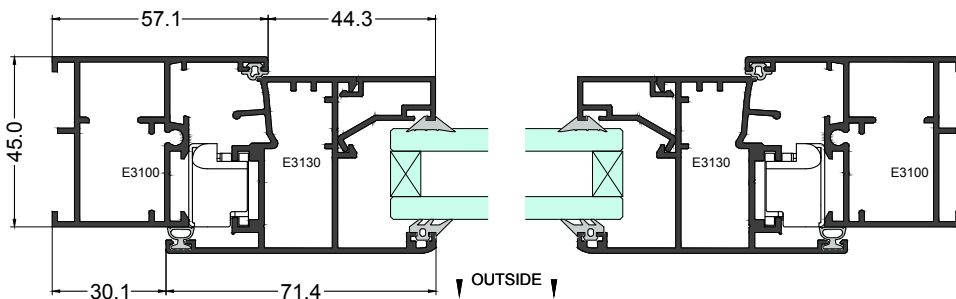
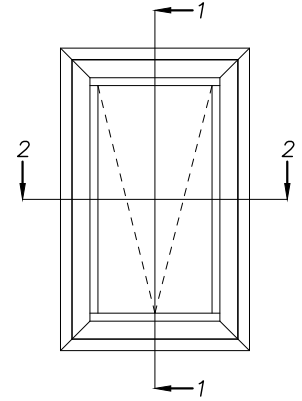


## Layouts

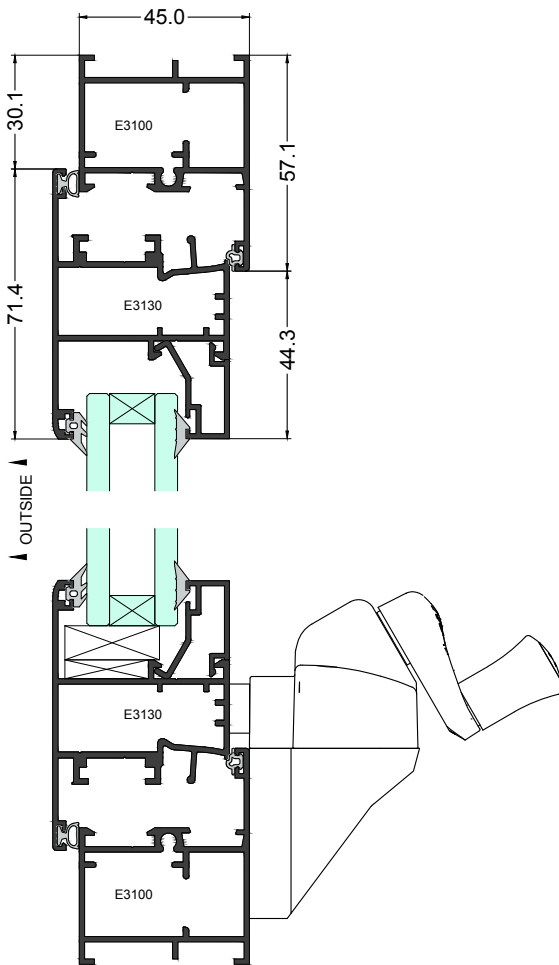


Elevation Section 1-1

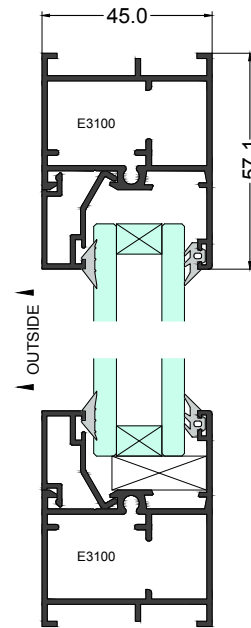
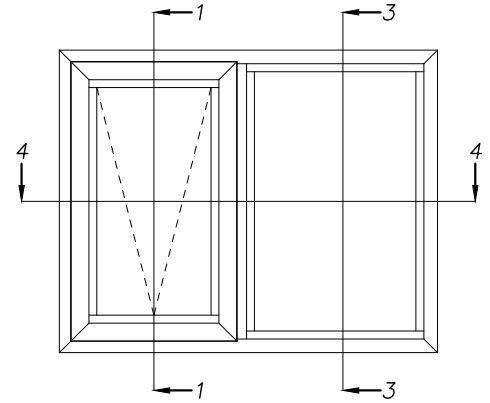


Plan Section 2-2

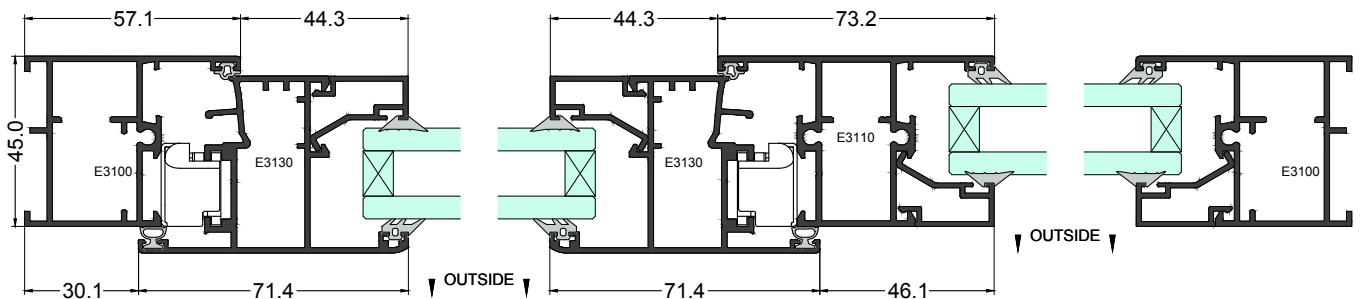
## Layouts



Elevation Section 1-1

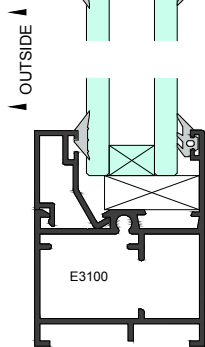
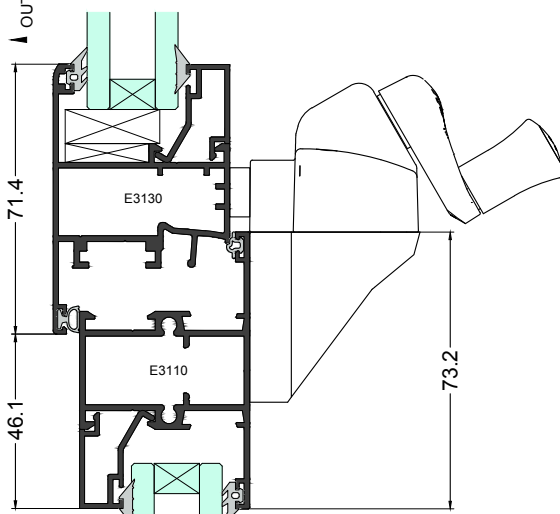
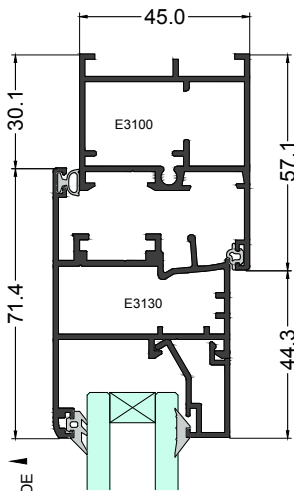


Elevation Section 3-3

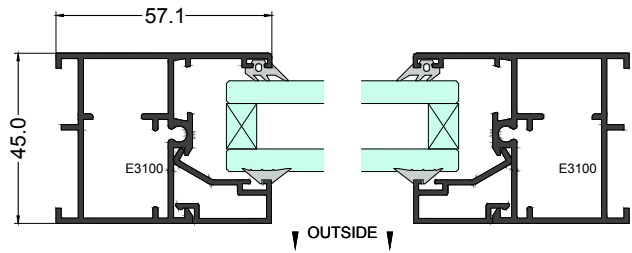
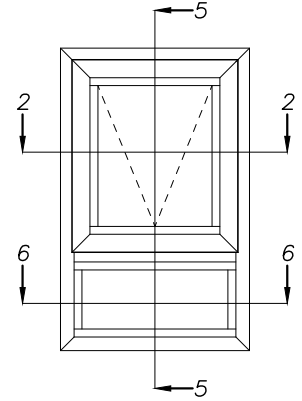


Plan Section 4-4

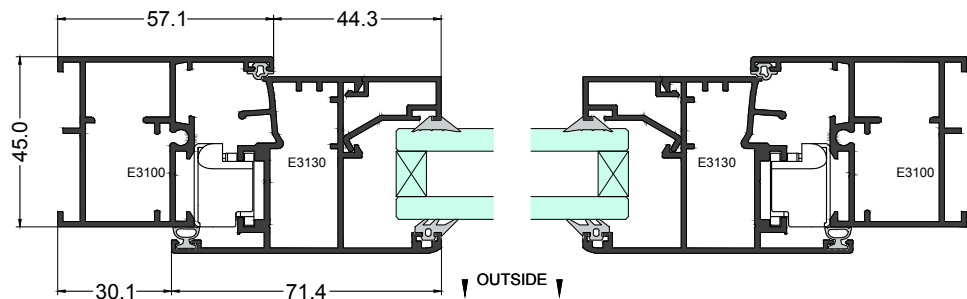
## Layouts



Elevation Section 5-5

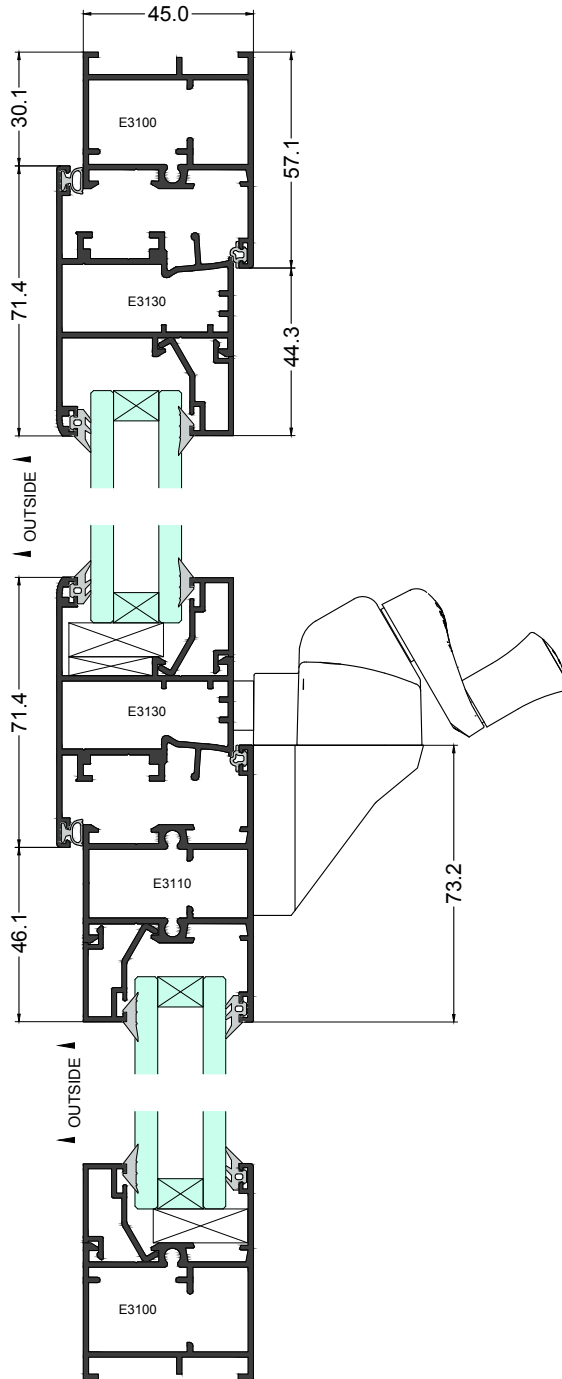
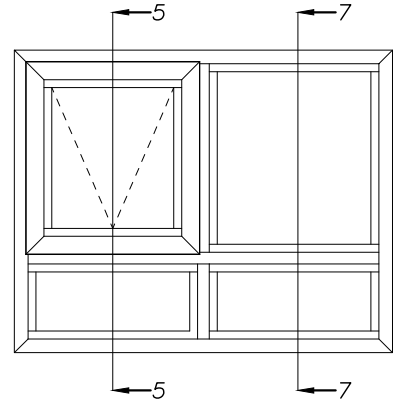


Plan Section 6-6

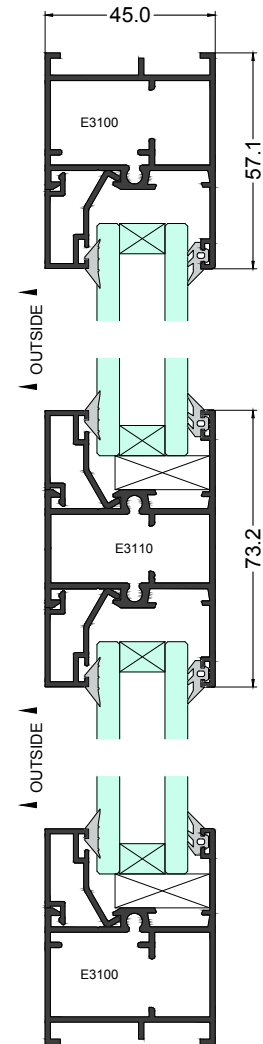


Plan Section 2-2

## Layouts

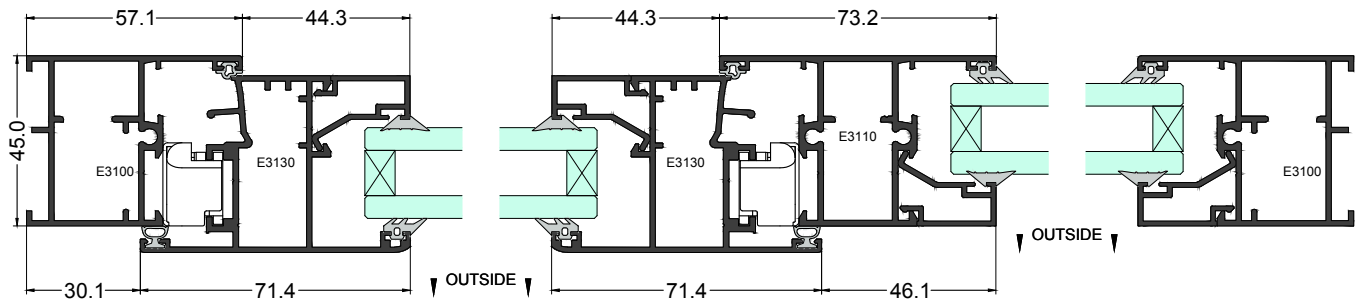
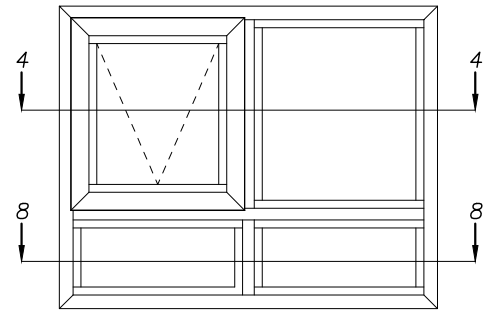


Elevation Section 5-5

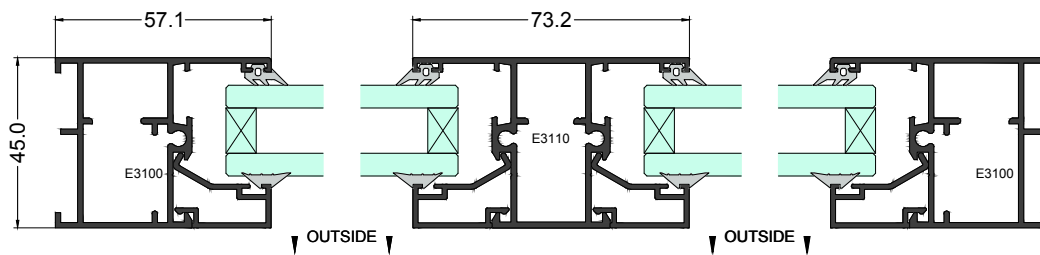


Elevation Section 7-7

## Layouts

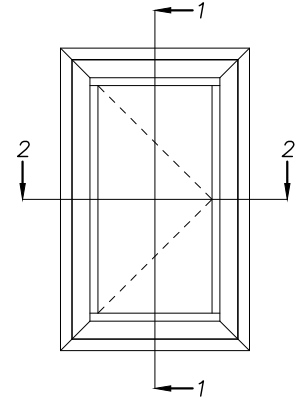
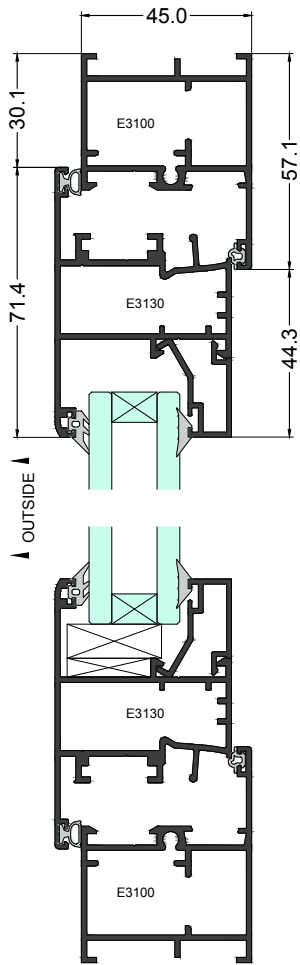


Plan Section 4-4

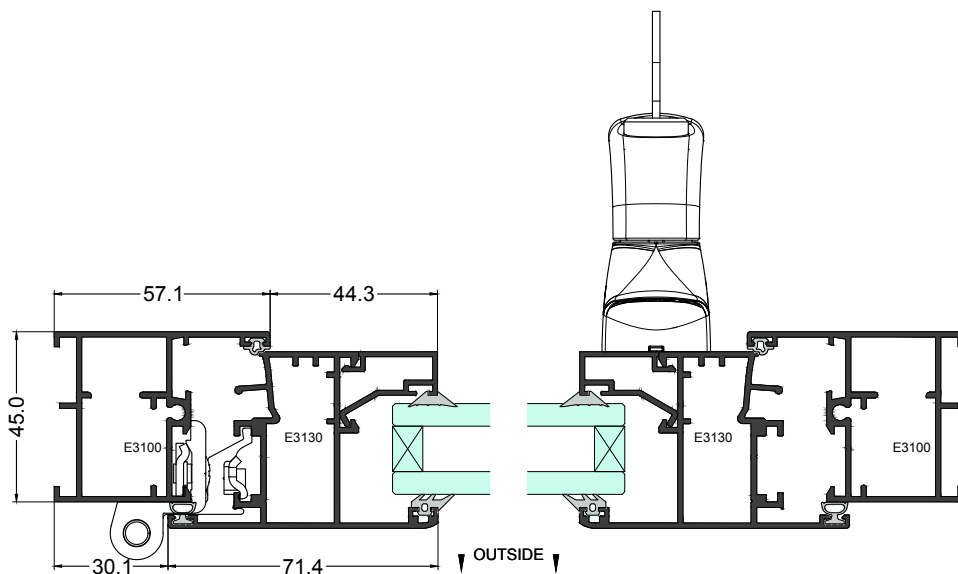


Plan Section 8-8

## Layouts

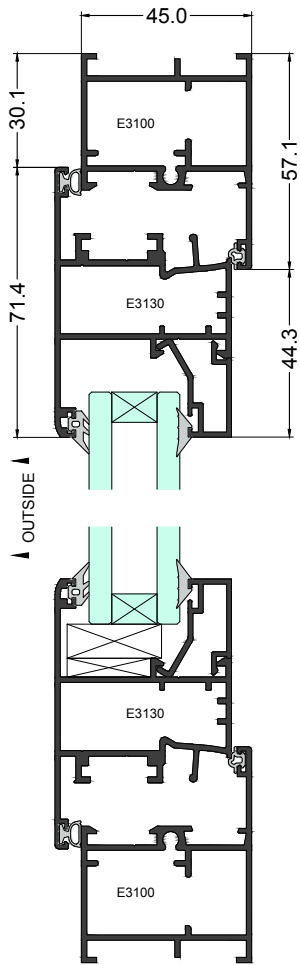


Elevation Section 1-1

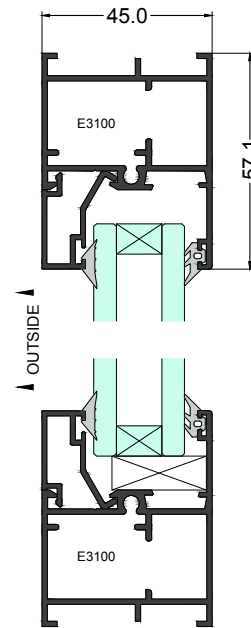
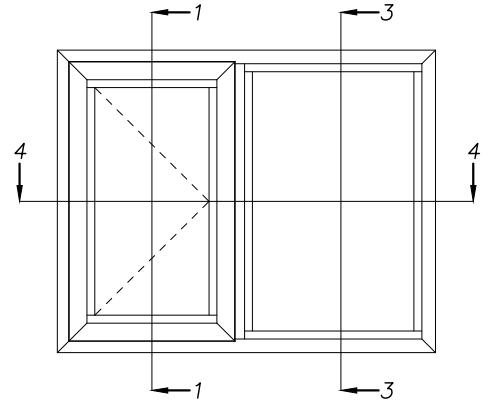


Plan Section 2-2

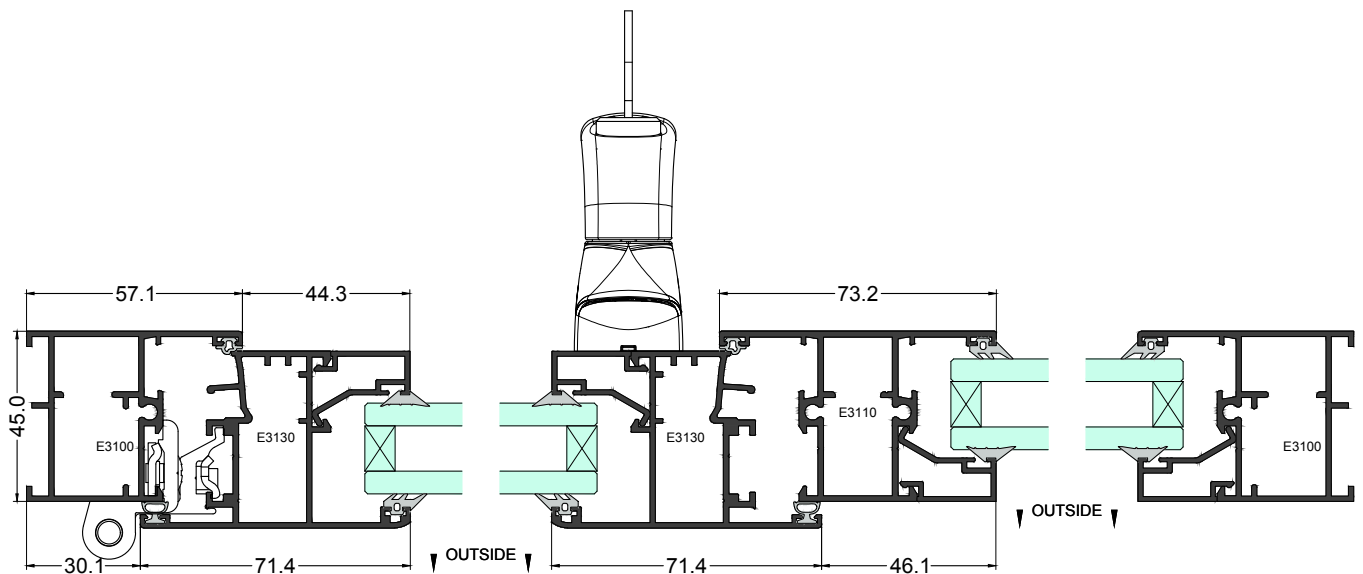
## Layouts



Elevation Section 1-1

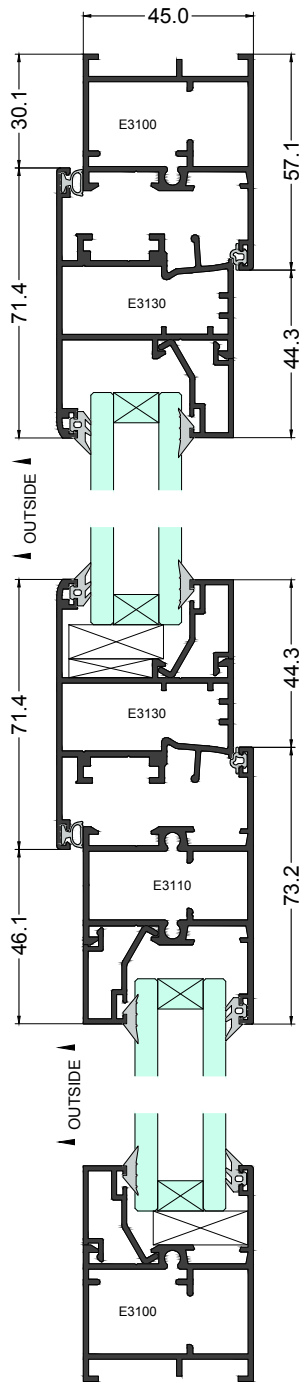


Elevation Section 3-3

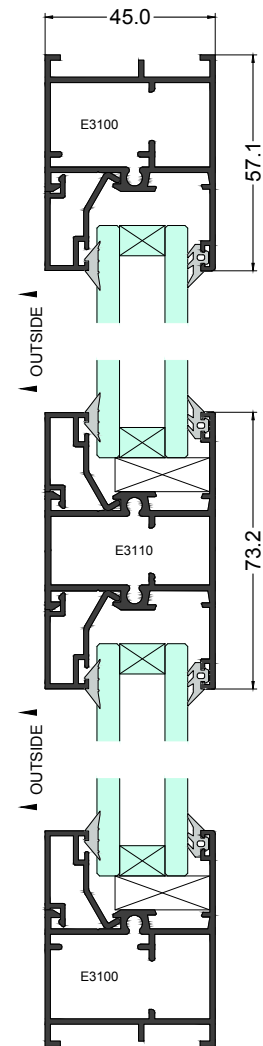
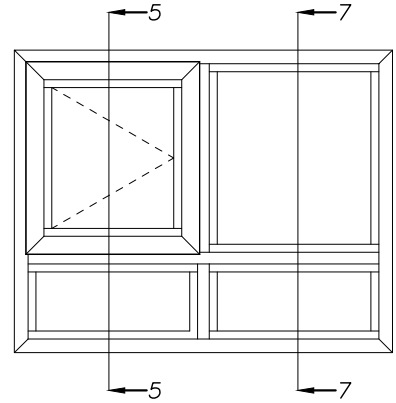


Plan Section 4-4

## Layouts



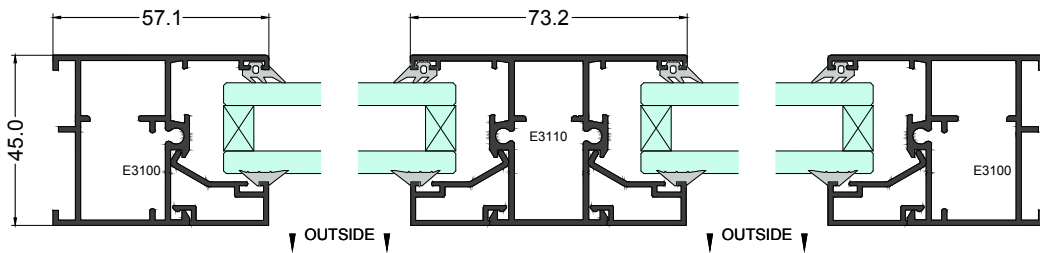
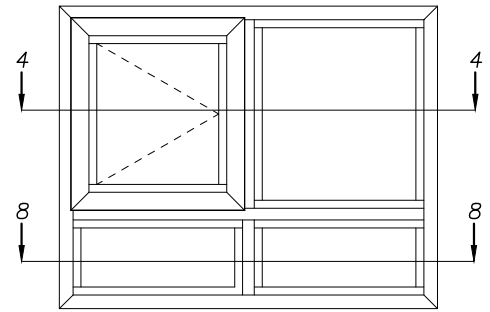
Elevation Section 5-5



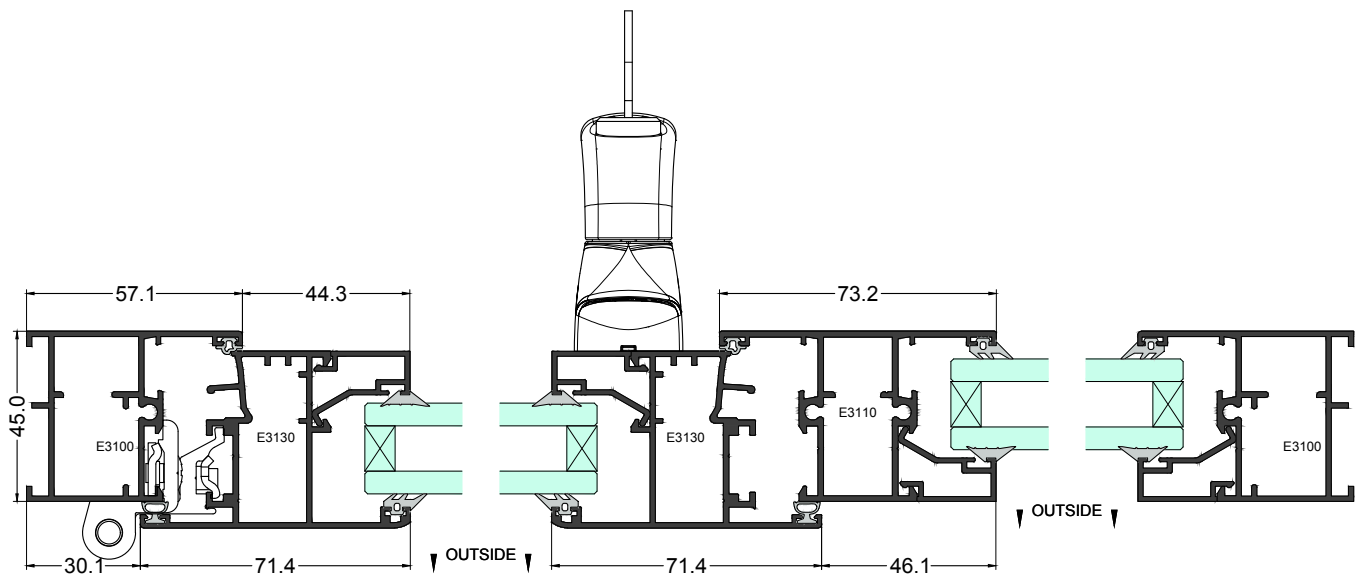
Elevation Section 7-7



## Layouts

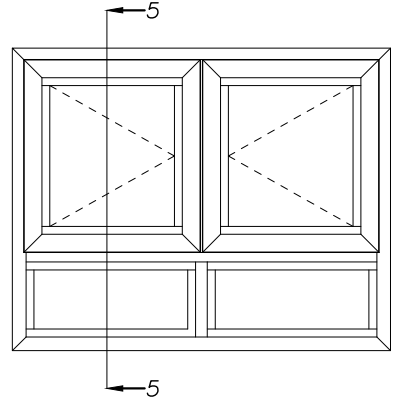
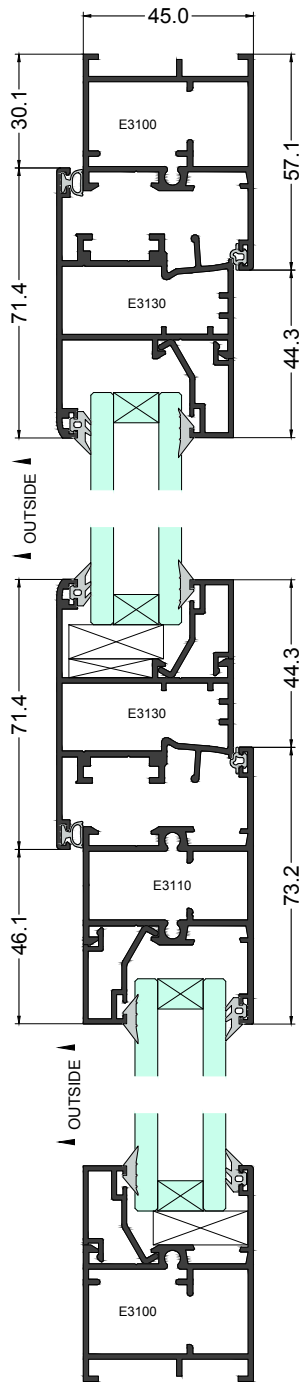


Plan Section 8-8



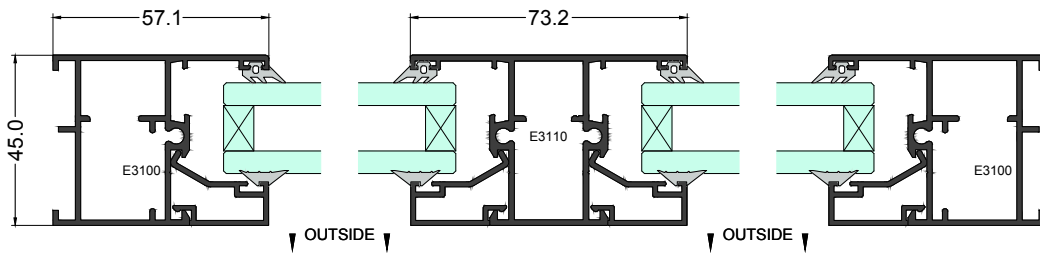
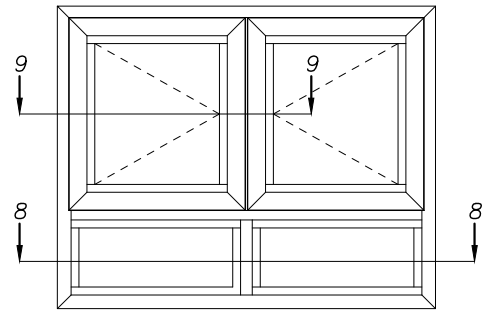
Plan Section 4-4

## Layouts

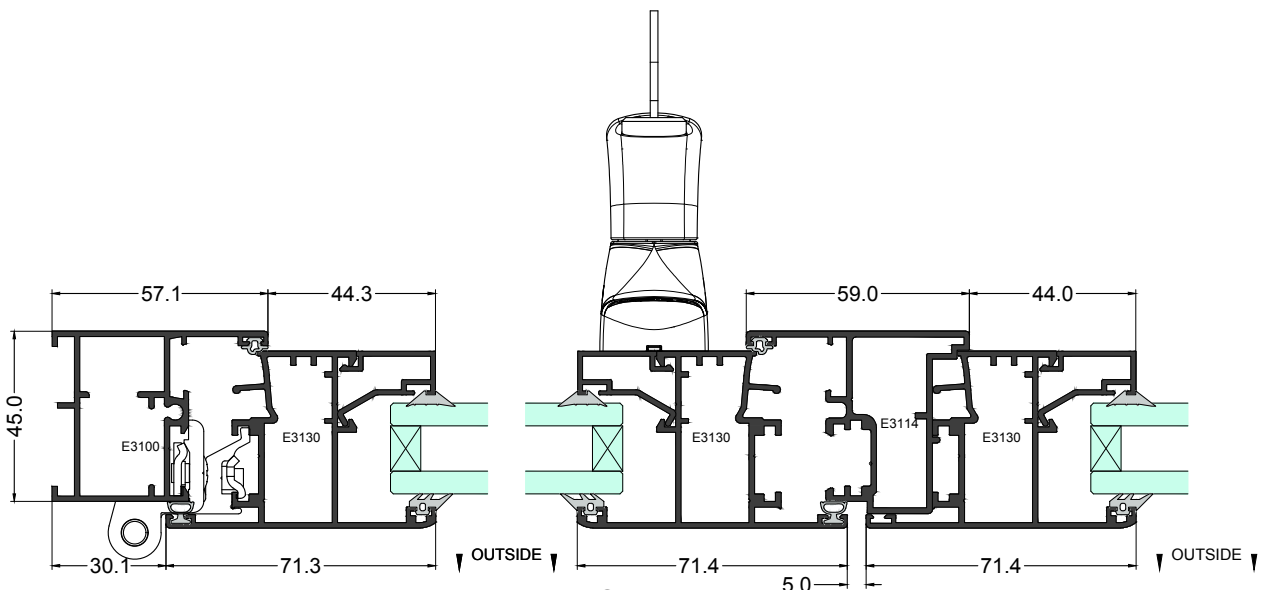


Elevation Section 5-5

## Layouts

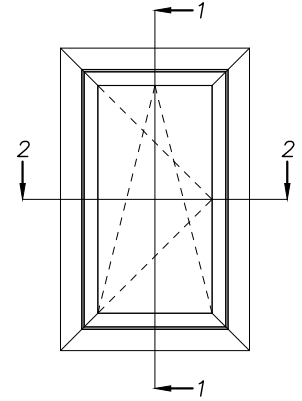
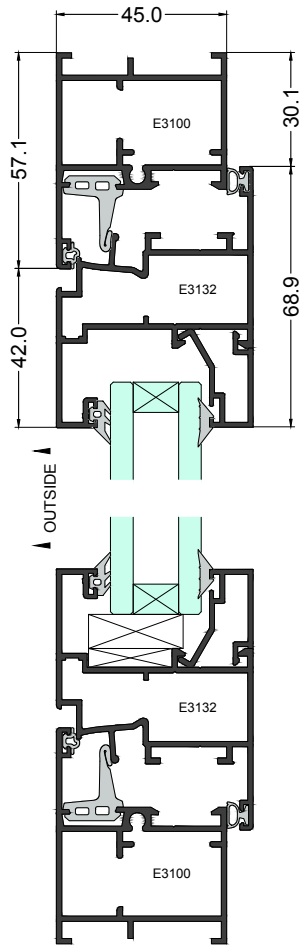


Plan Section 8-8

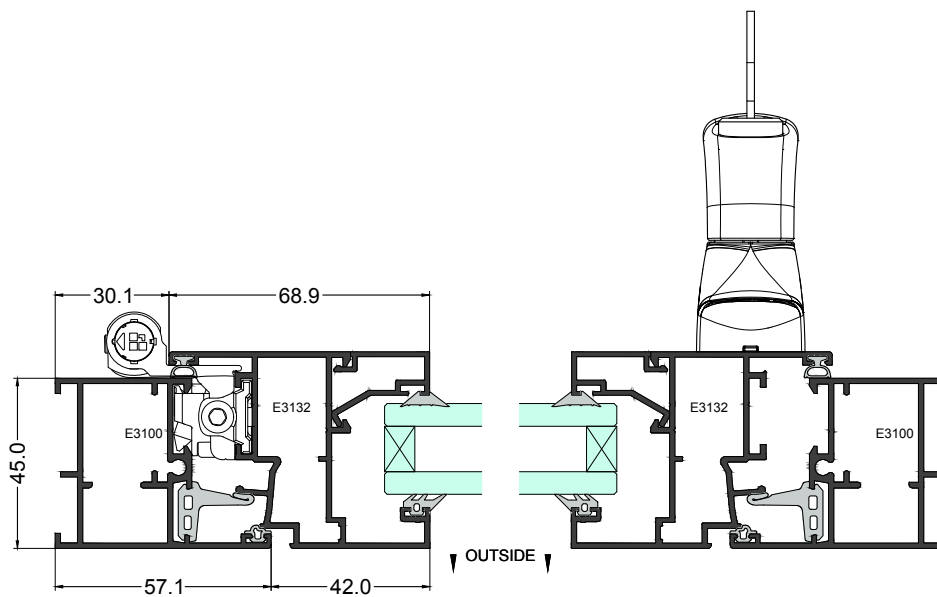


Plan Section 9-9

## Layouts

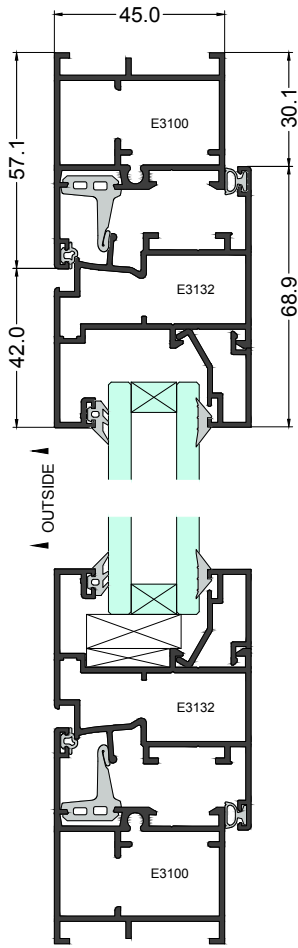


Elevation Section 1-1

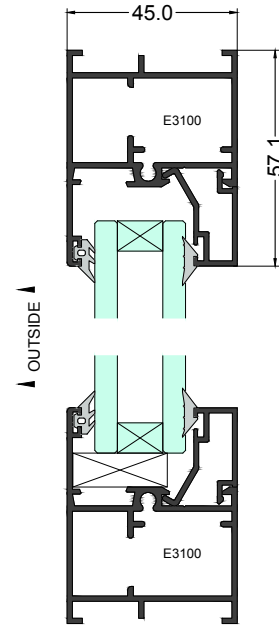
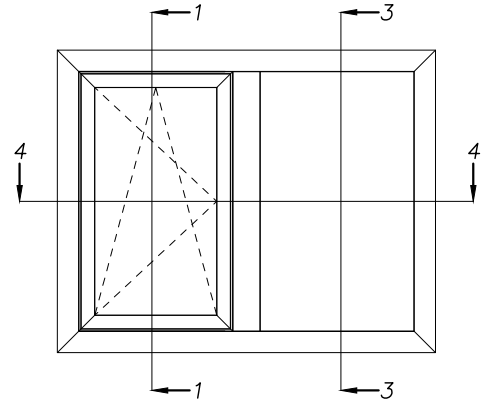


Plan Section 2-2

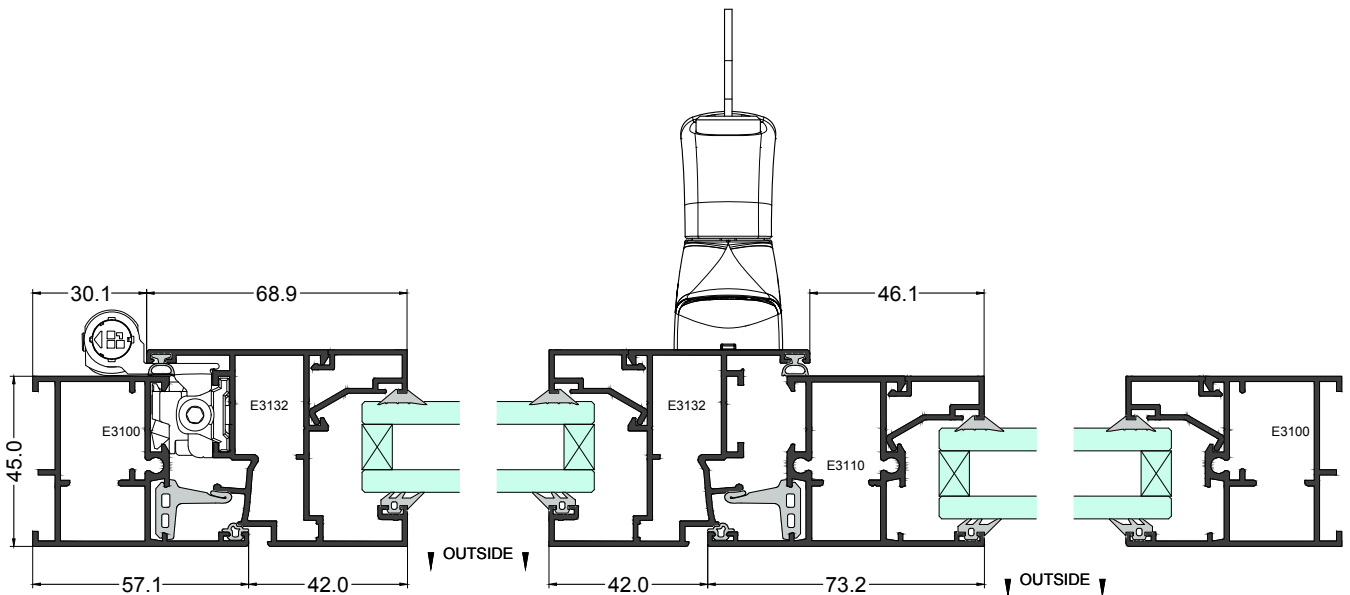
## Layouts



Elevation Section 1-1

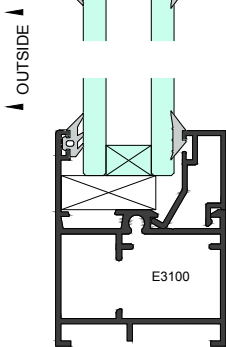
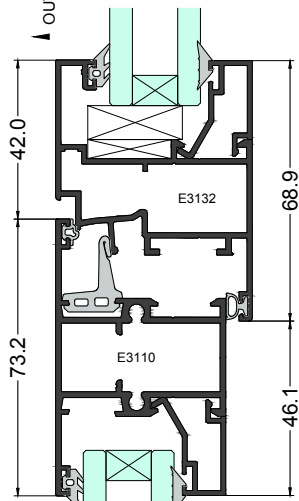
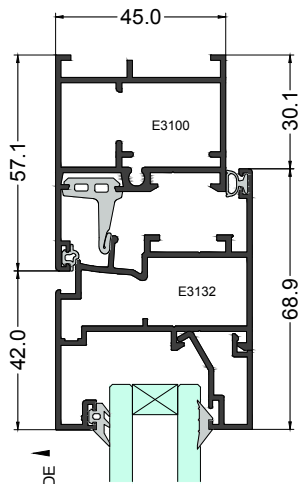


Elevation Section 3-3

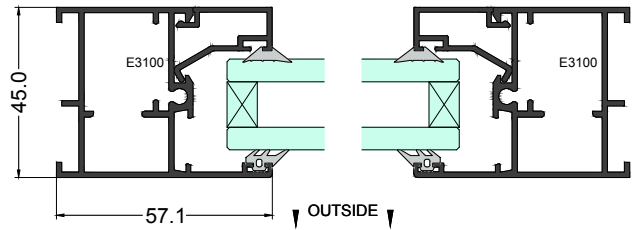
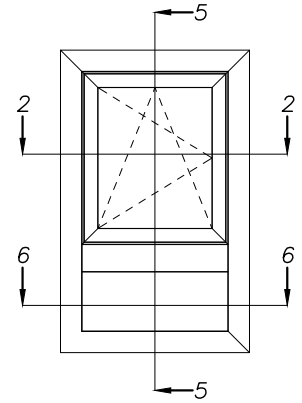


Plan Section 4-4

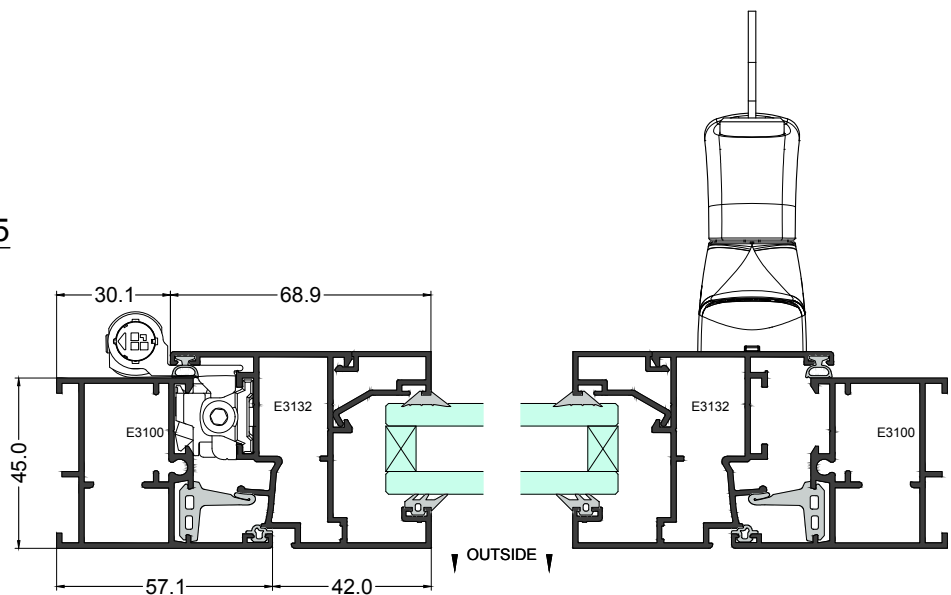
## Layouts



Elevation Section 5-5

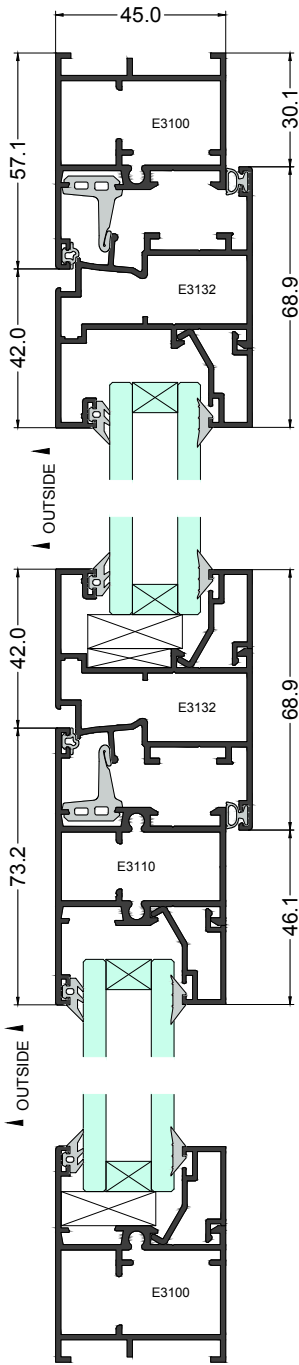


Plan Section 6-6

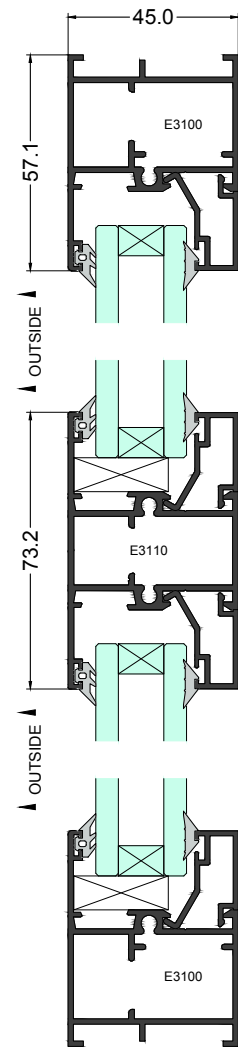
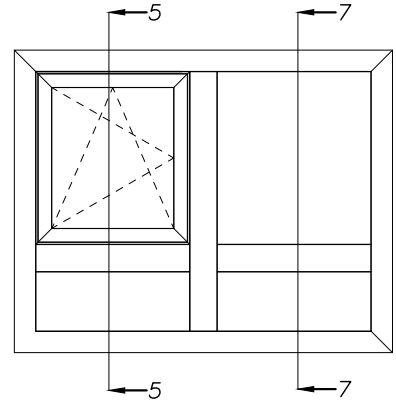


Plan Section 2-2

## Layouts

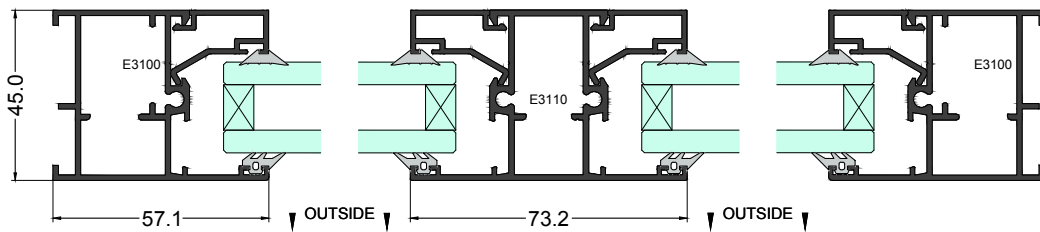
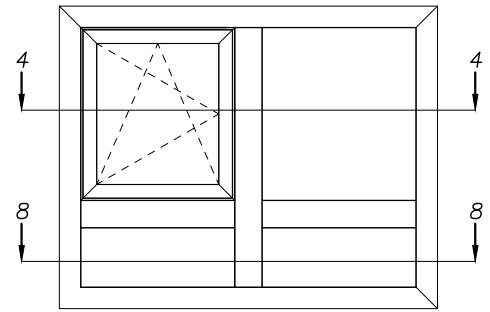


Elevation Section 5-5

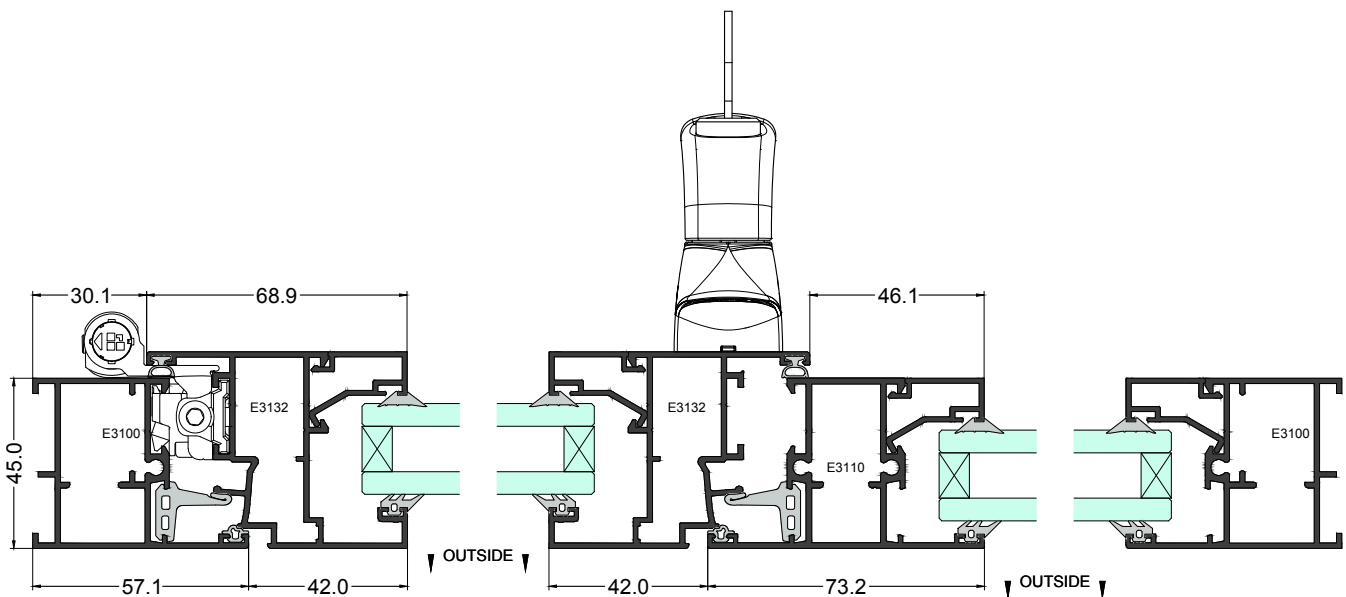


Elevation Section 7-7

## Layouts



Plan Section 8-8



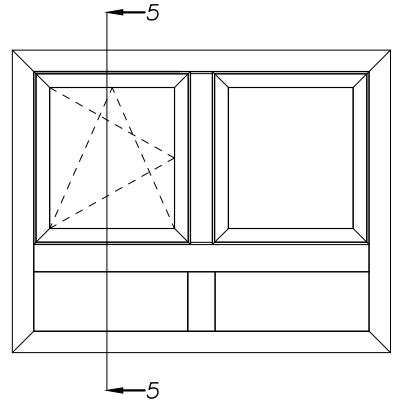
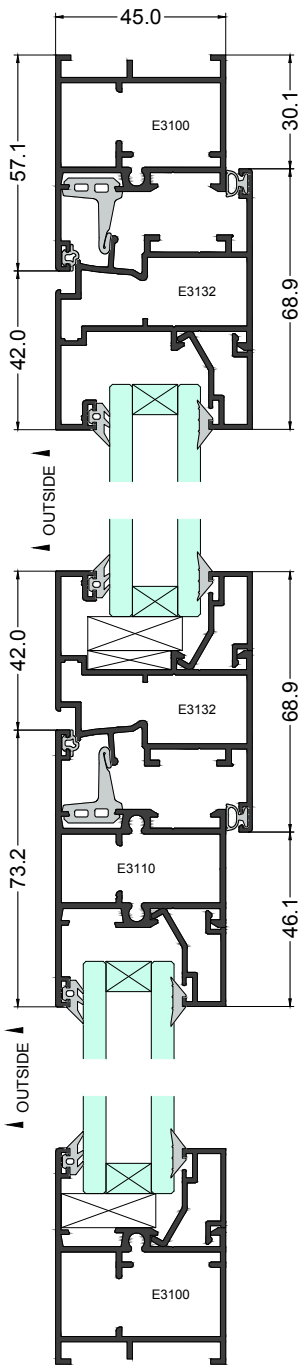
Plan Section 4-4



# EC45

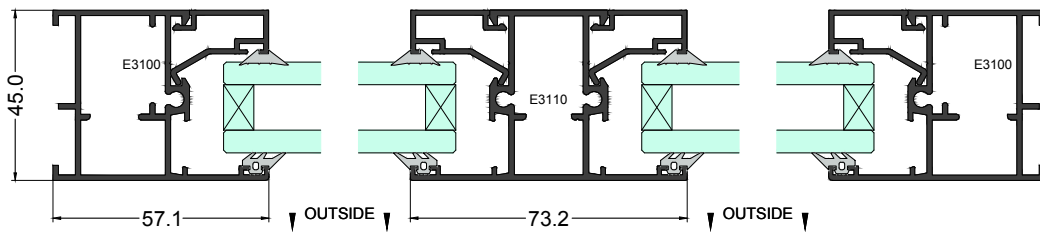
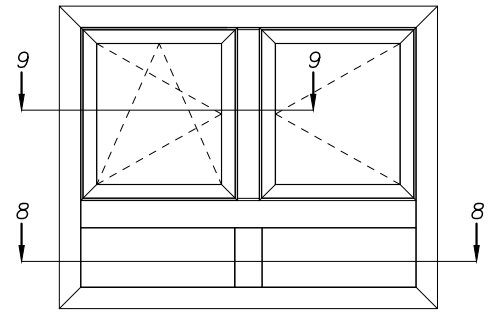
# TILT & TURN

## Layouts

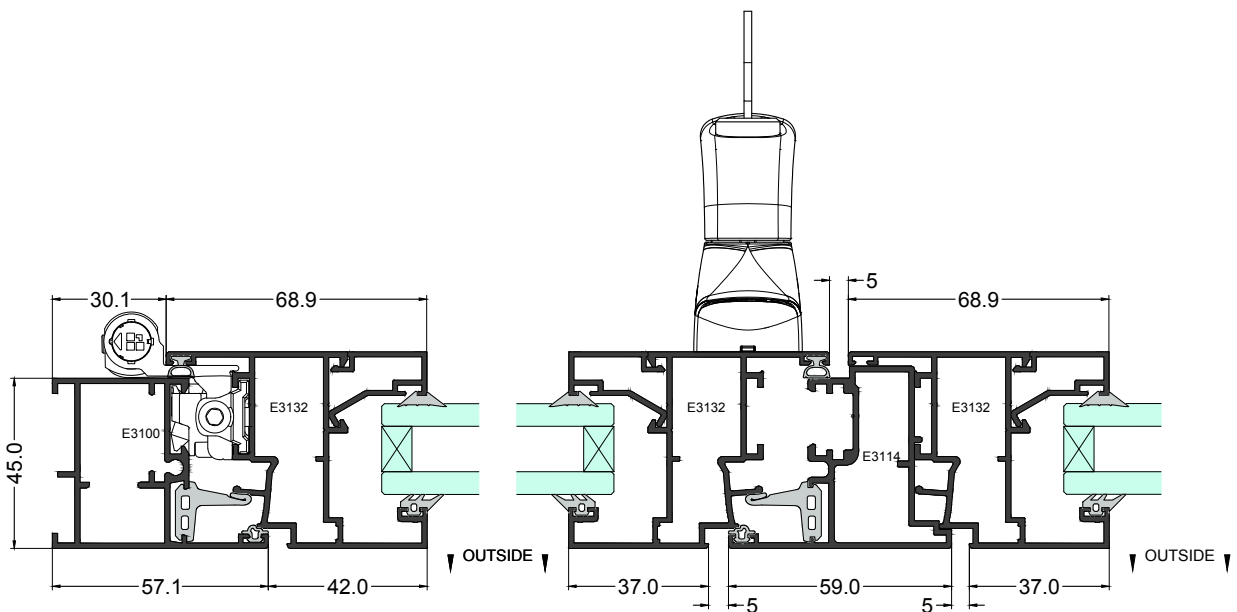


Elevation Section 5-5

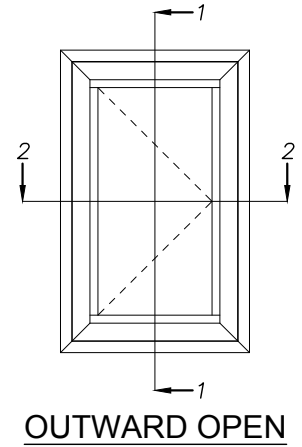
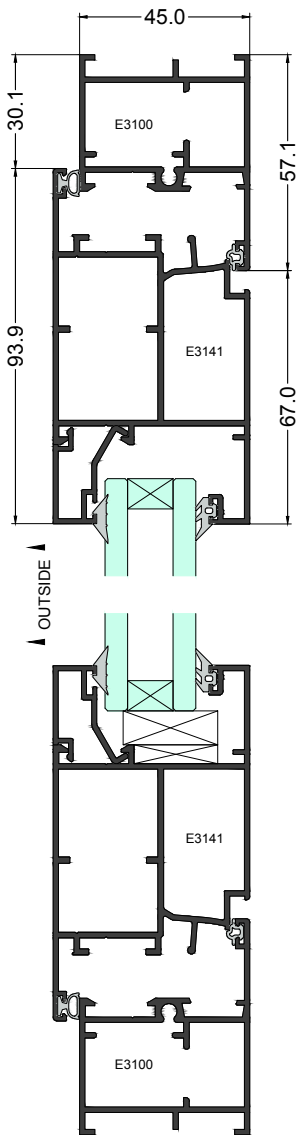
## Layouts



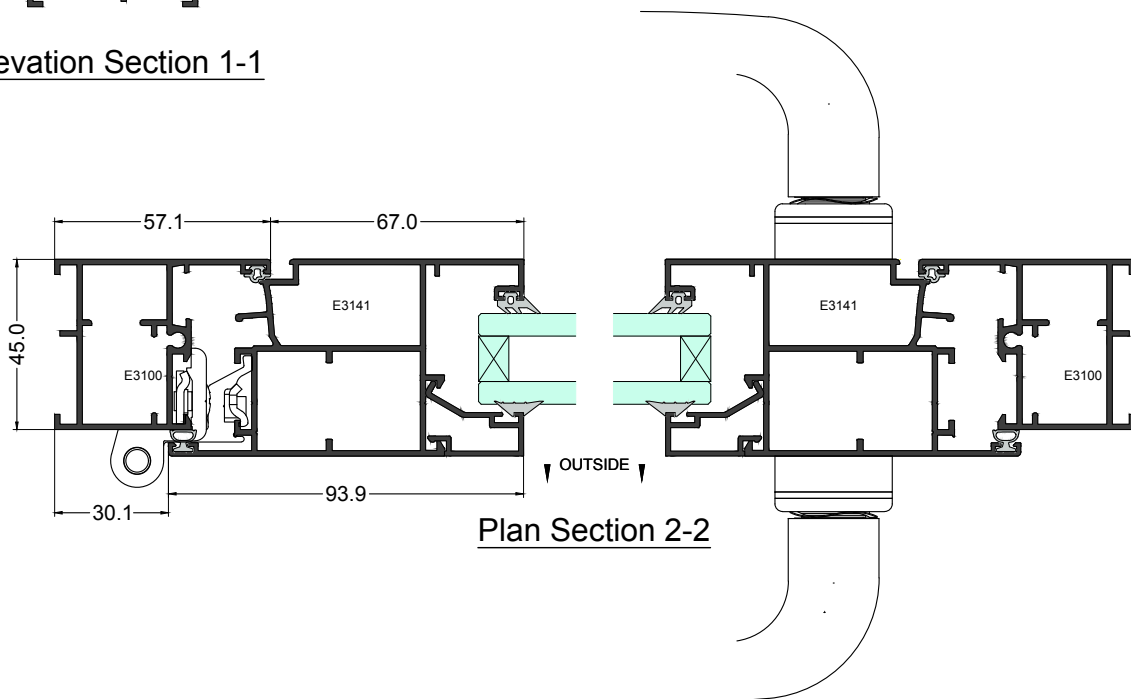
Plan Section 8-8



Plan Section 9-9



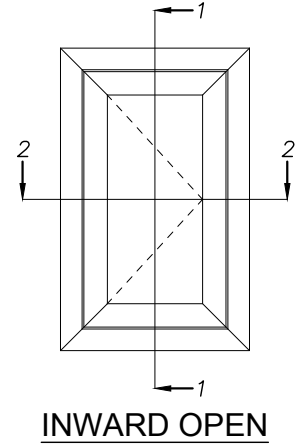
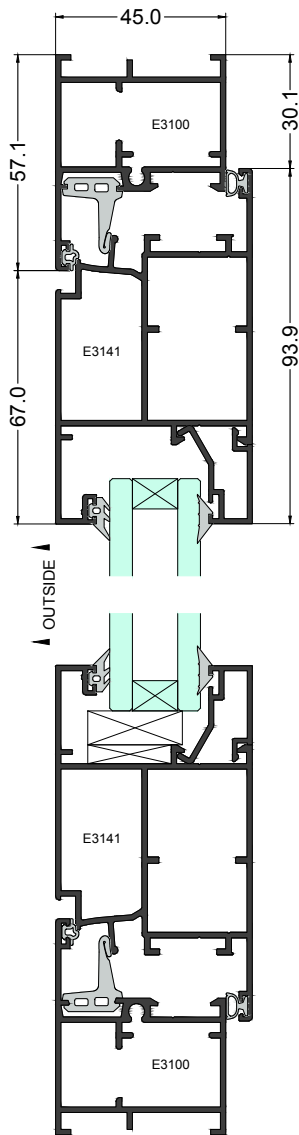
Elevation Section 1-1



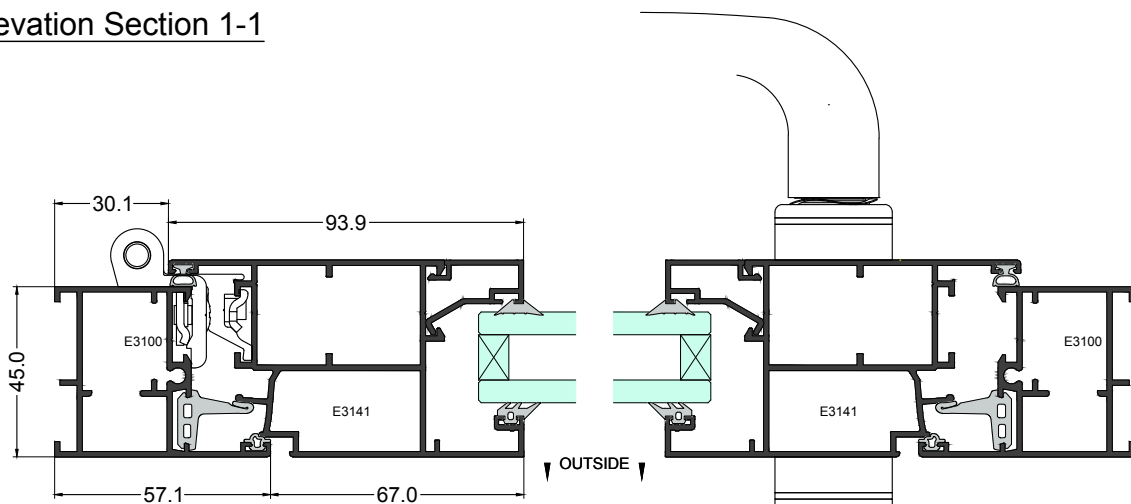
Plan Section 2-2

Layouts

(OPEN IN)



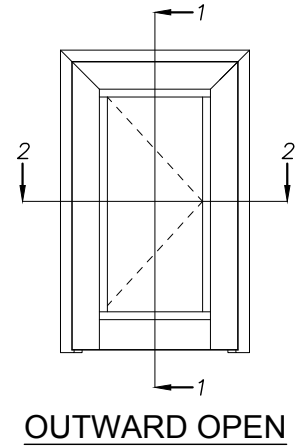
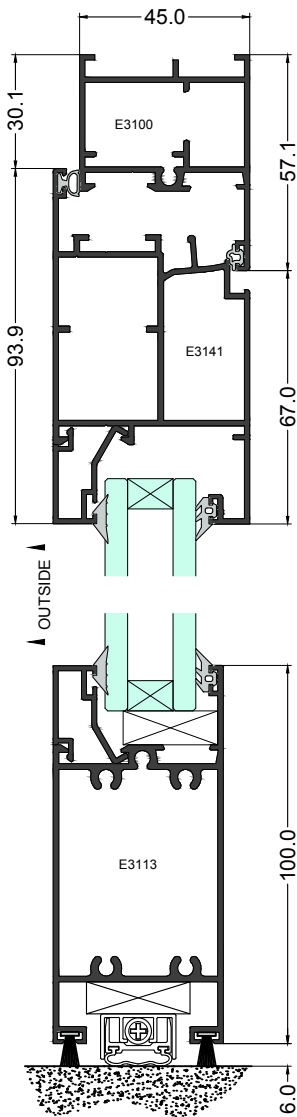
Elevation Section 1-1



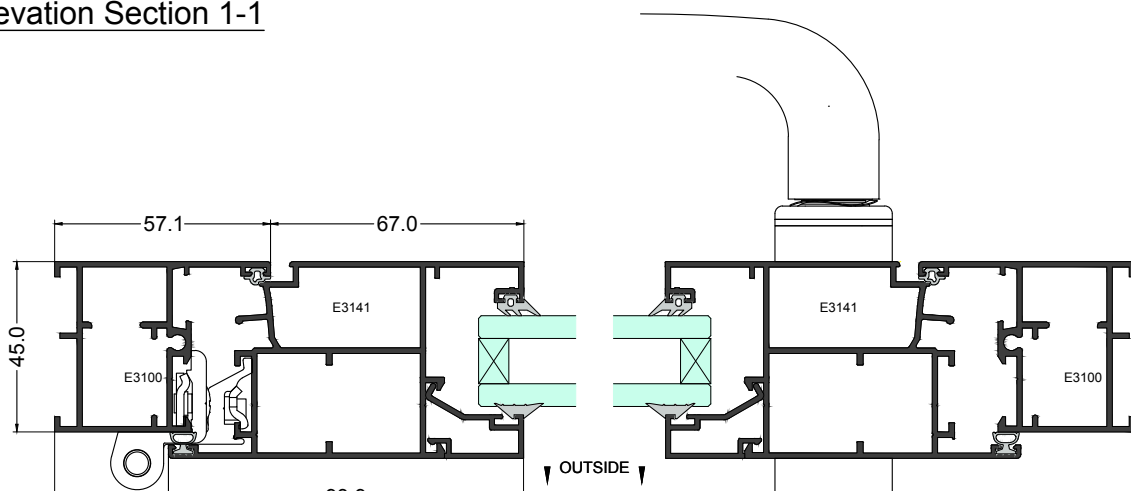
Plan Section 2-2

## Layouts

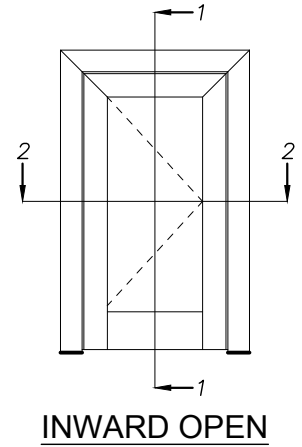
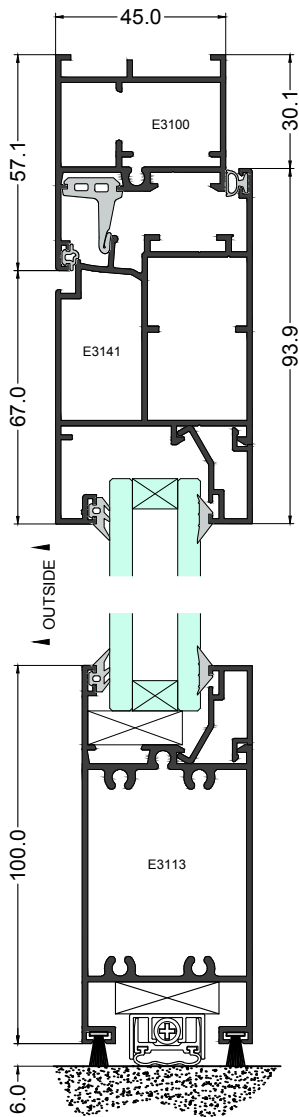
(OPEN OUT)



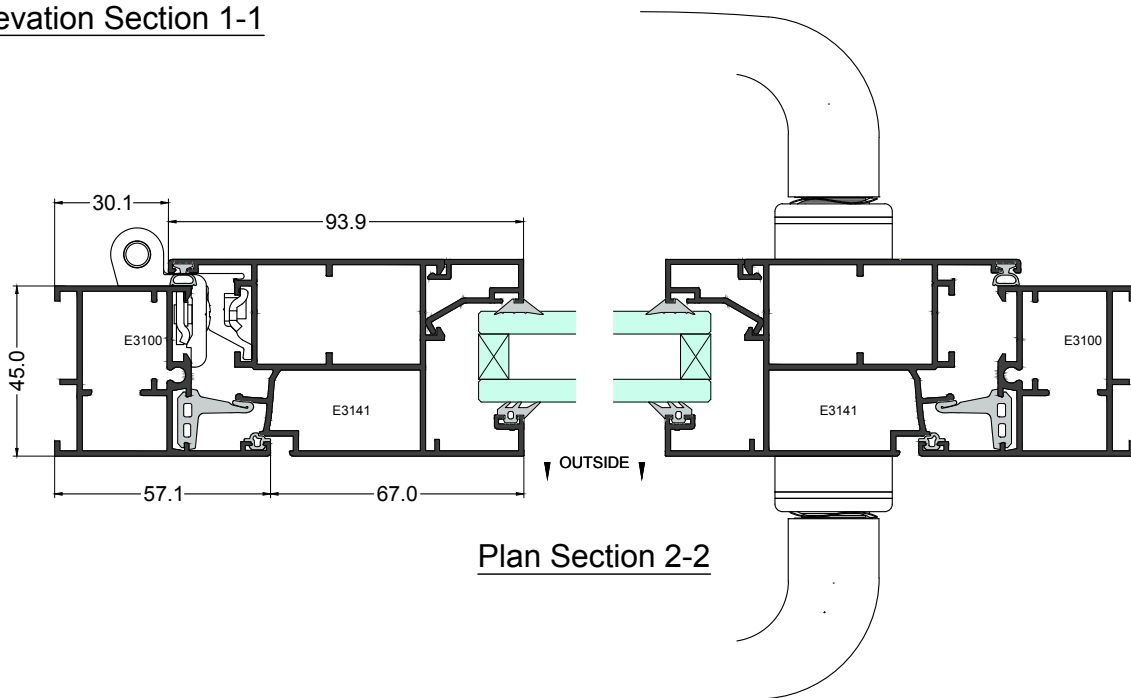
Elevation Section 1-1



Plan Section 2-2



Elevation Section 1-1



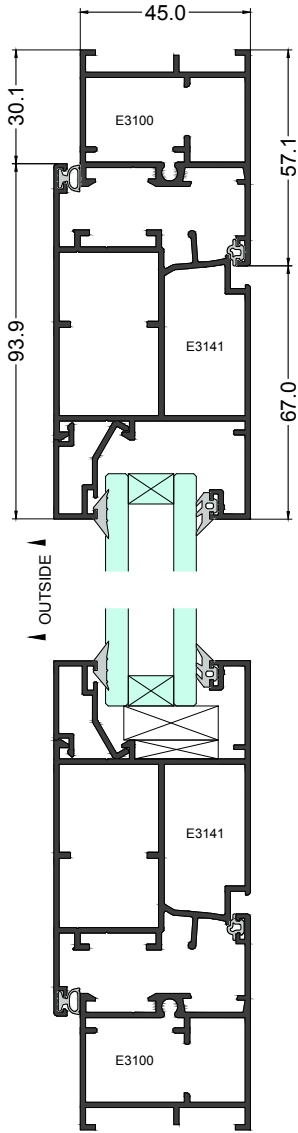
Plan Section 2-2

# EC45

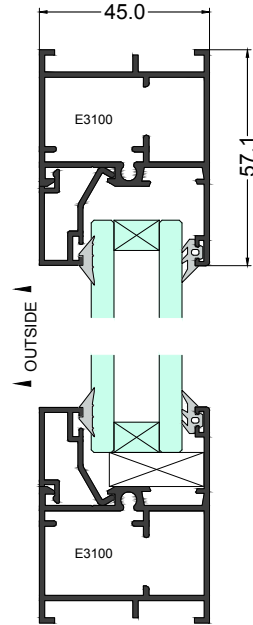
# HINGED DOOR

Layouts

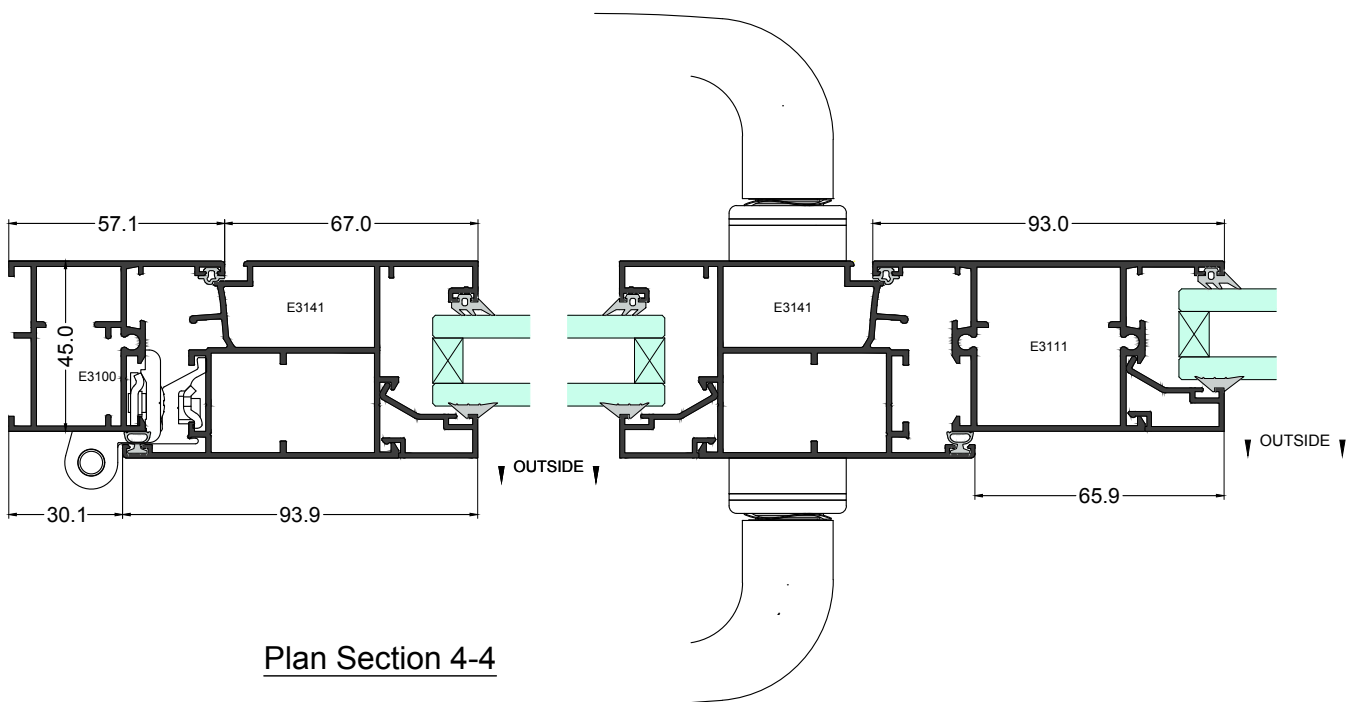
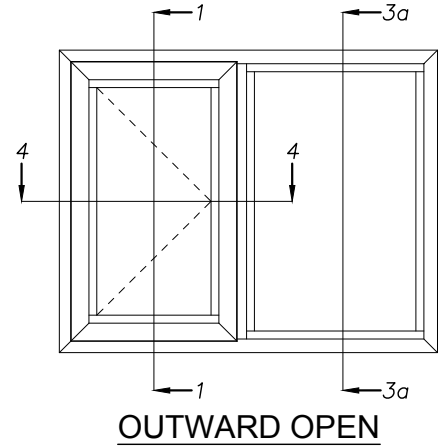
(OPEN OUT)



Elevation Section 1-1



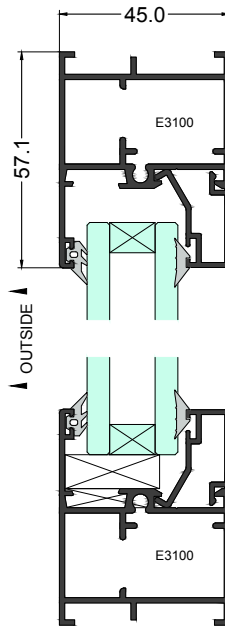
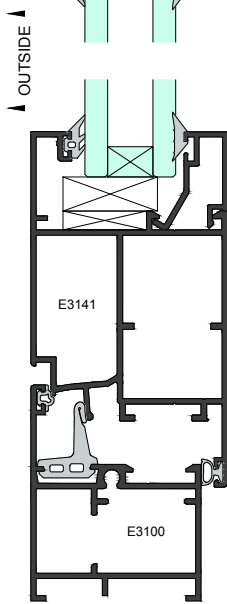
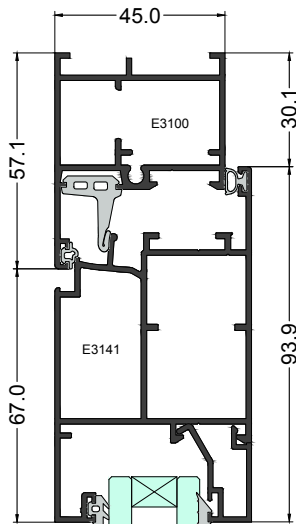
Elevation Section 3a-3a



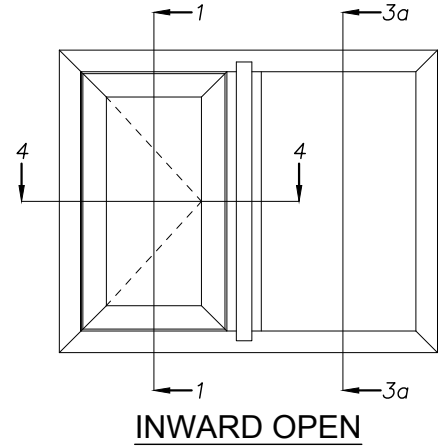
Plan Section 4-4

## Layouts

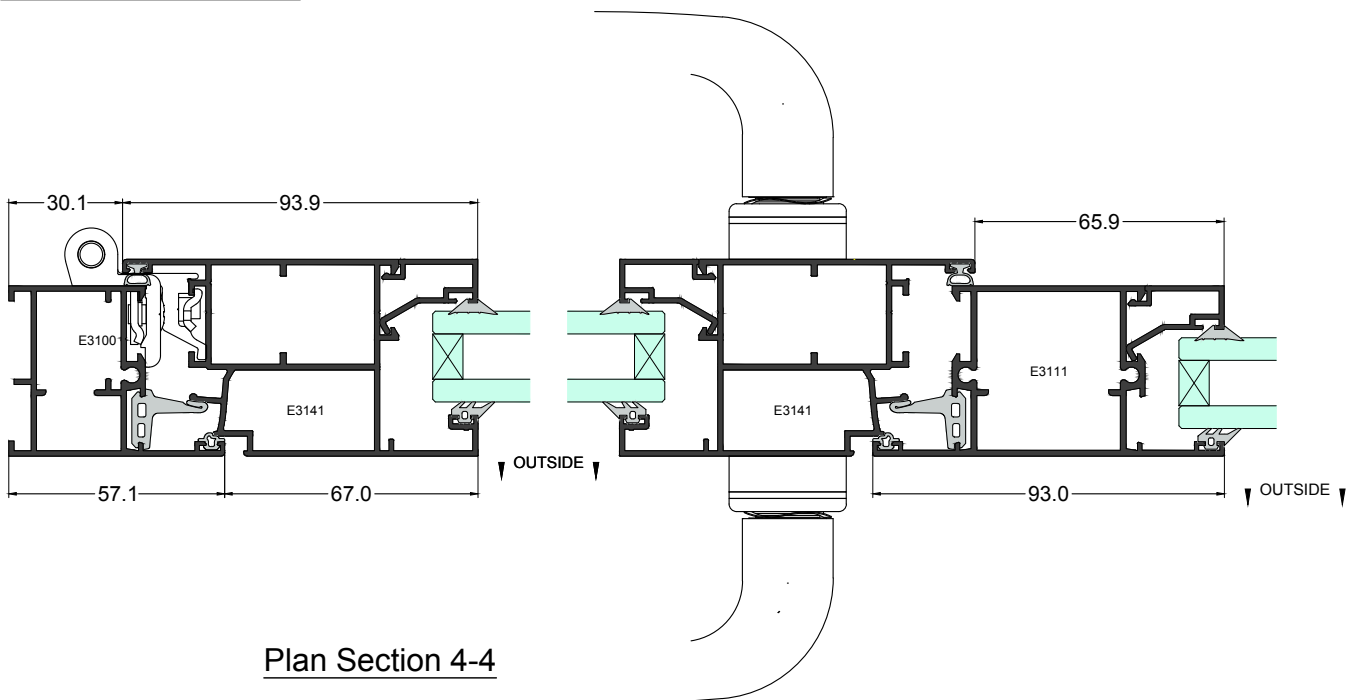
(OPEN IN)



Elevation Section 3a-3a



Elevation Section 1-1

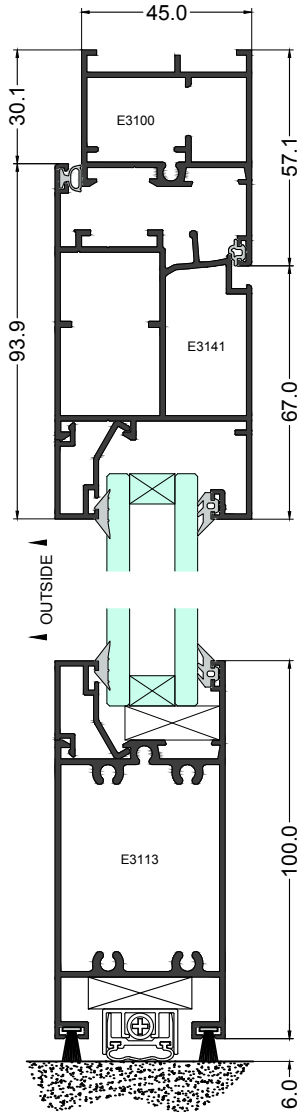


Plan Section 4-4

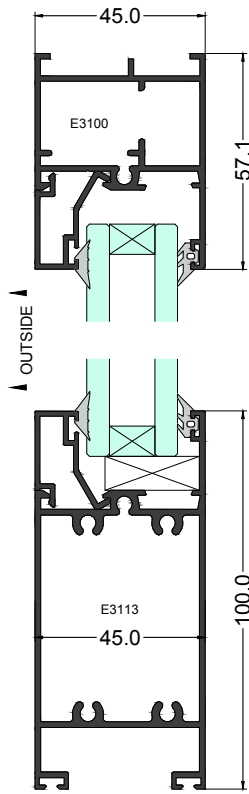


## Layouts

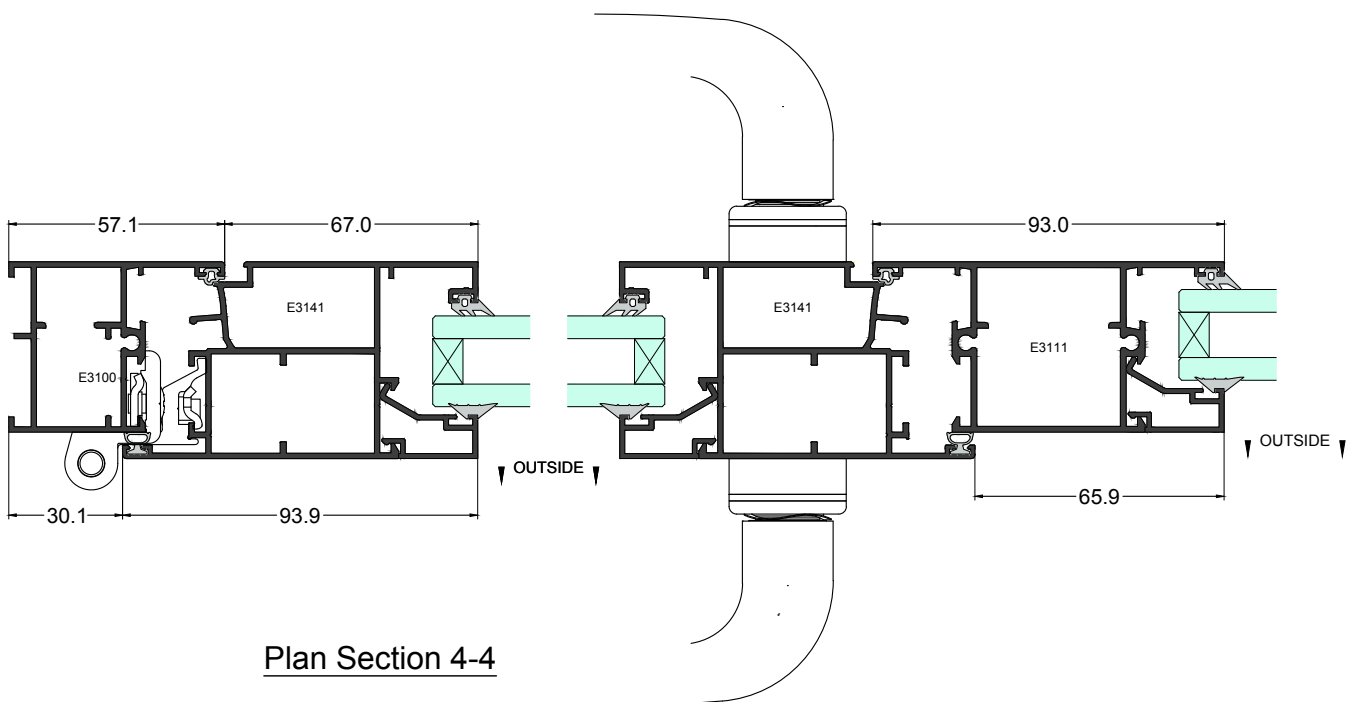
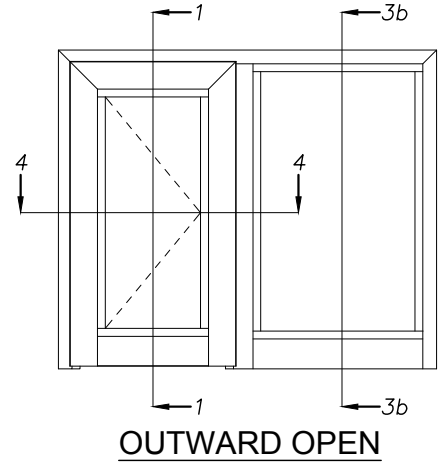
(OPEN OUT)



Elevation Section 1-1



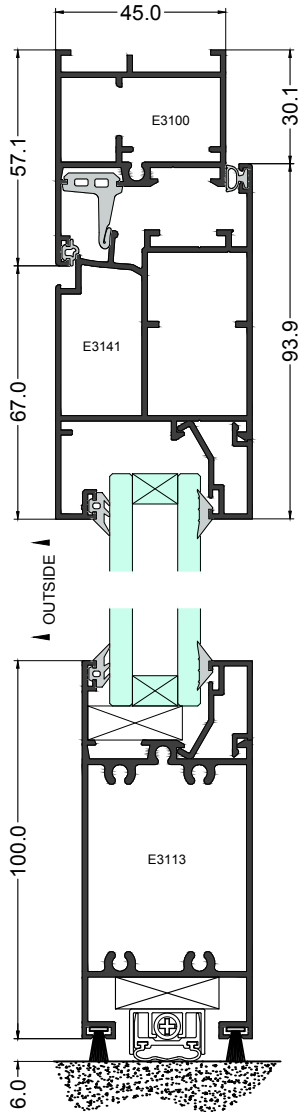
Elevation Section 3b-3b



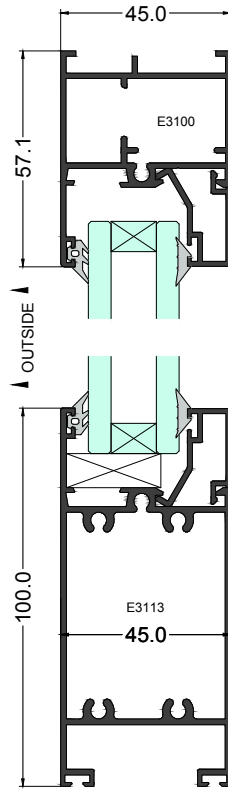
Plan Section 4-4

## Layouts

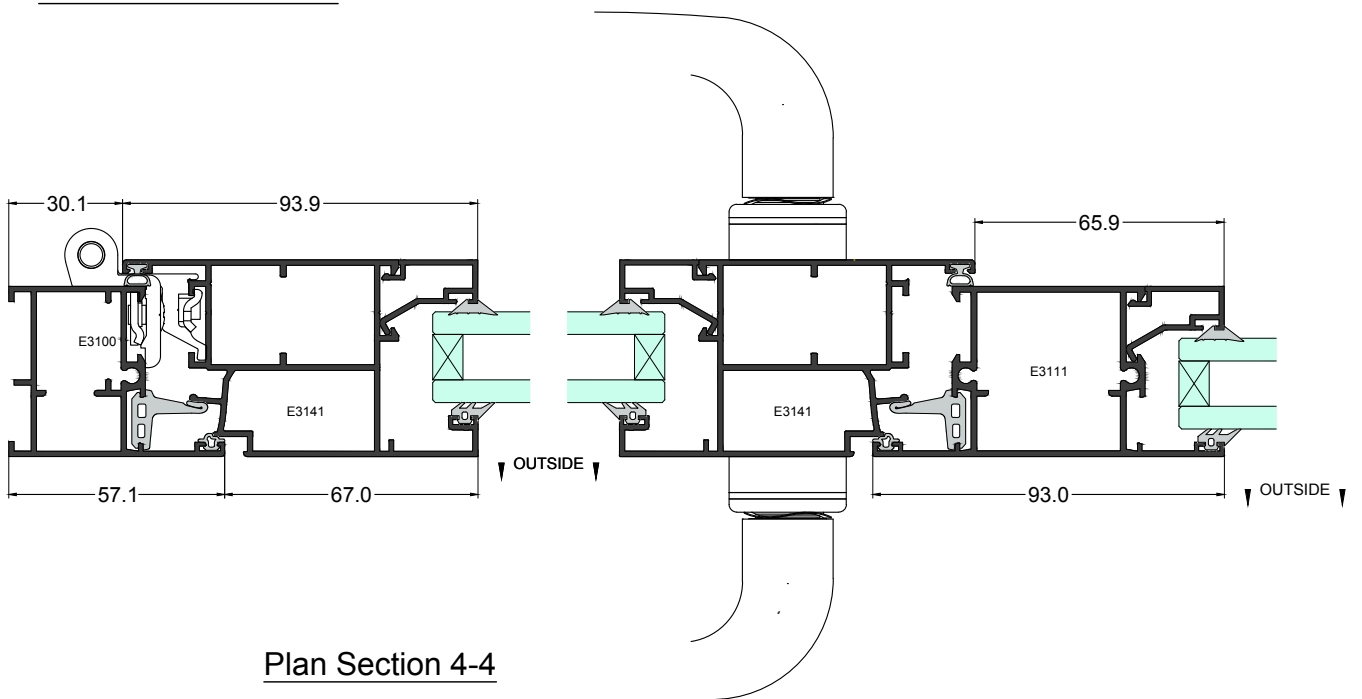
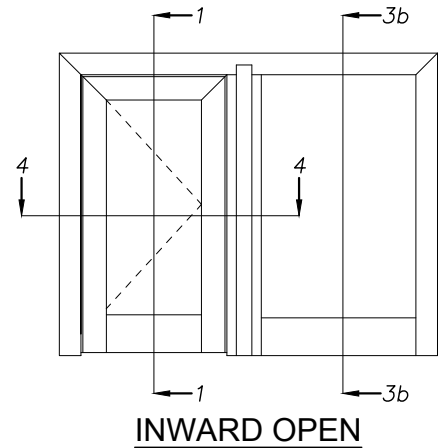
(OPEN IN)



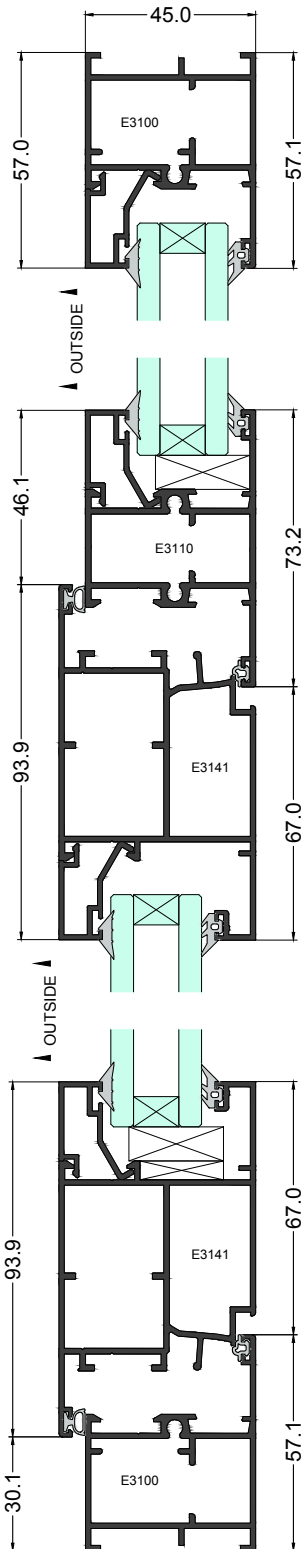
Elevation Section 1-1



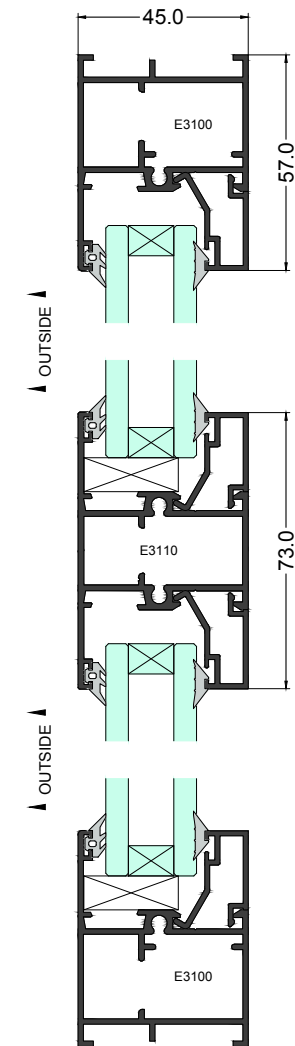
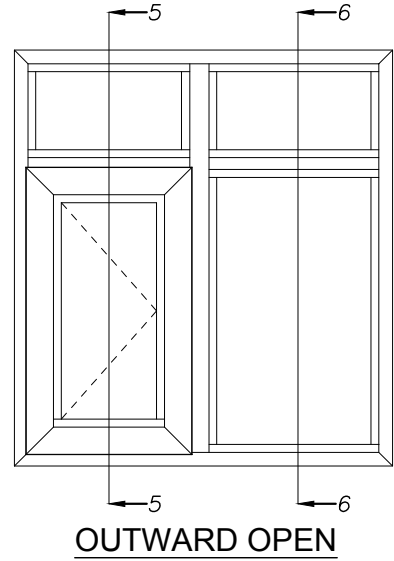
Elevation Section 3b-3b



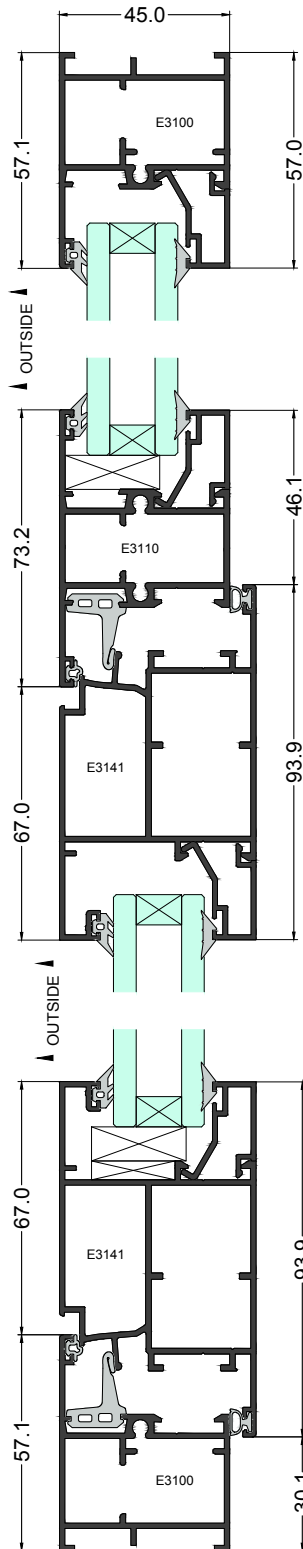
Plan Section 4-4



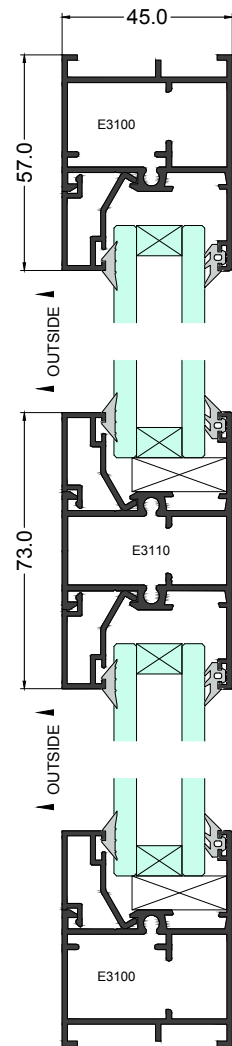
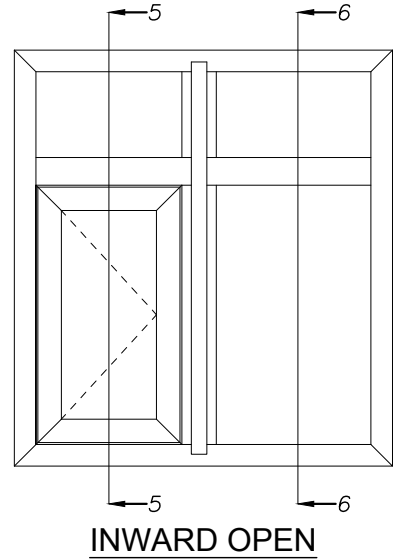
Elevation Section 5-5



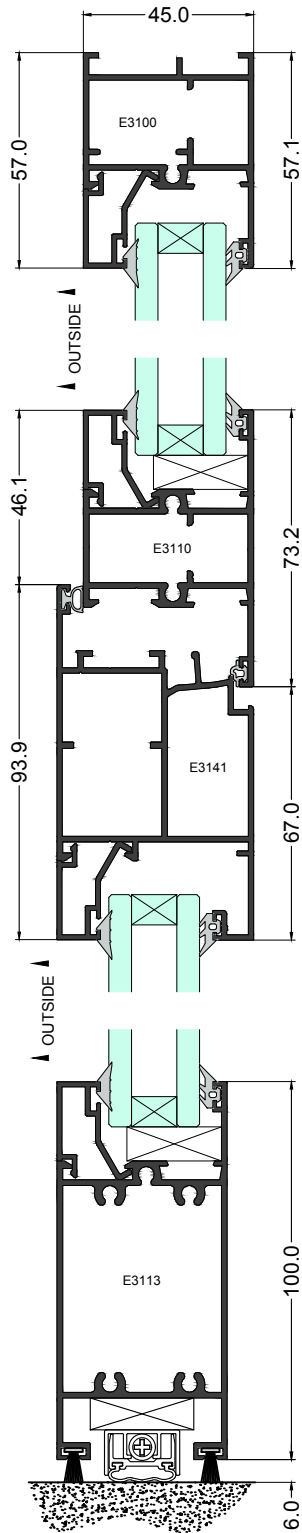
Elevation Section 6-6



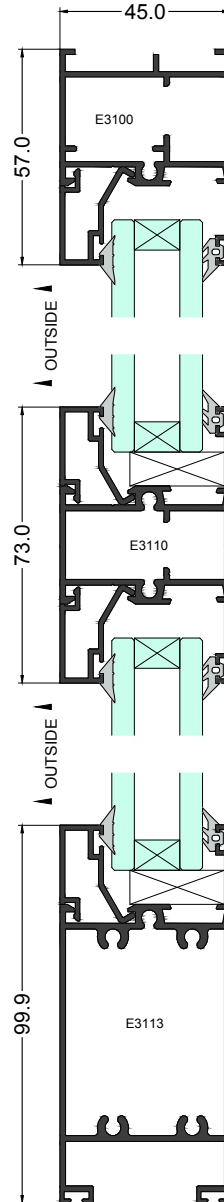
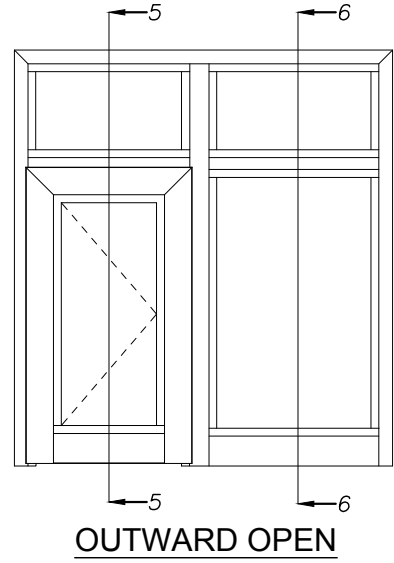
Elevation Section 5-5



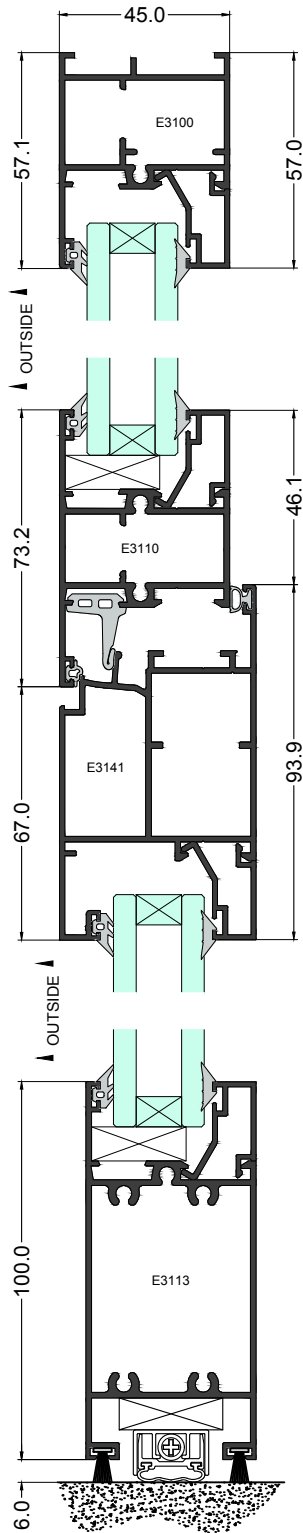
Elevation Section 6-6



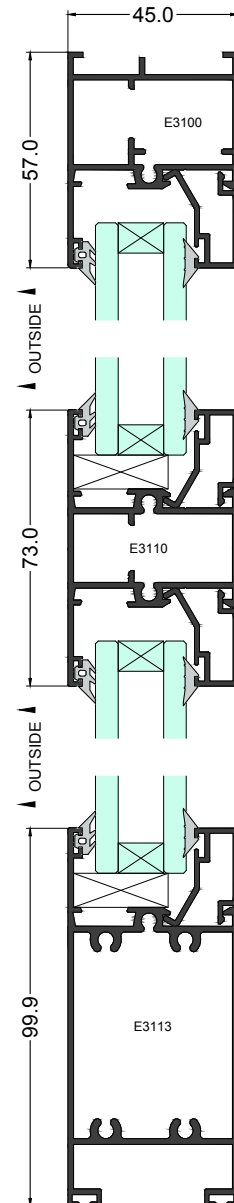
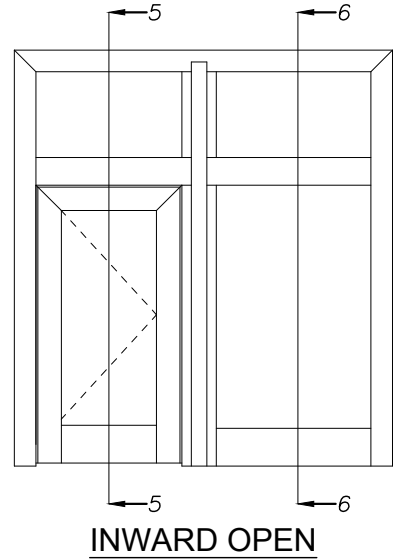
Elevation Section 5-5



Elevation Section 6-6



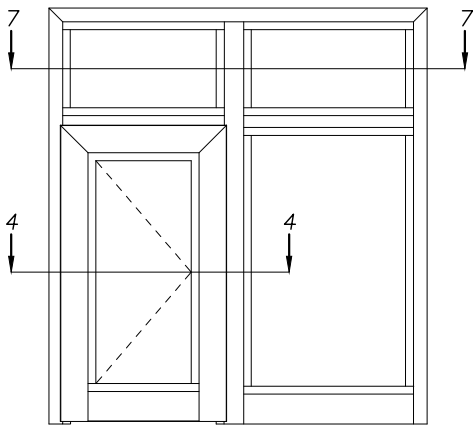
Elevation Section 5-5



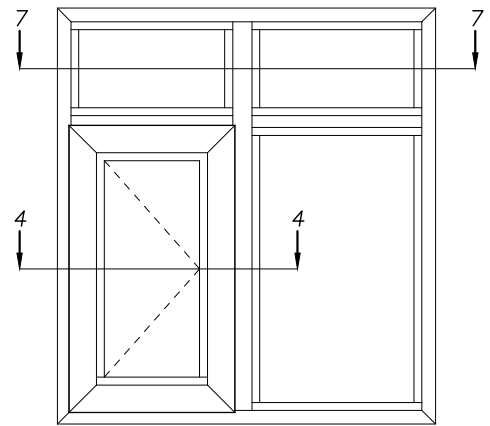
Elevation Section 6-6

Layouts

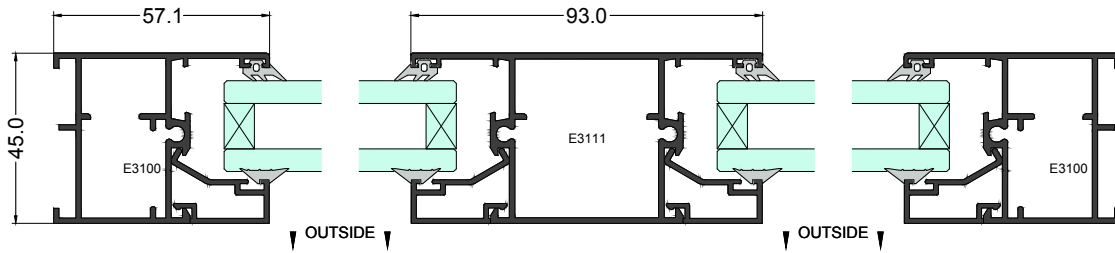
(OPEN OUT)



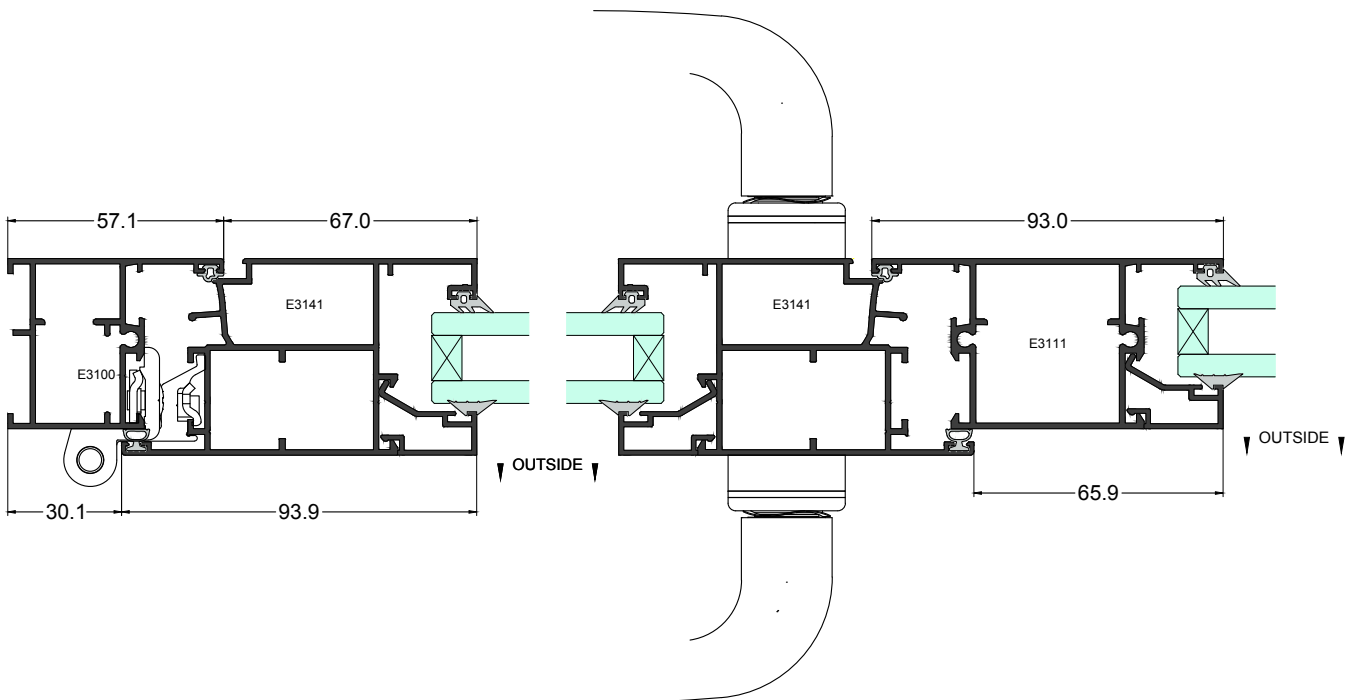
OUTWARD OPEN



OUTWARD OPEN



Plan Section 7-7



Plan Section 4-4

**EC45**

Layouts

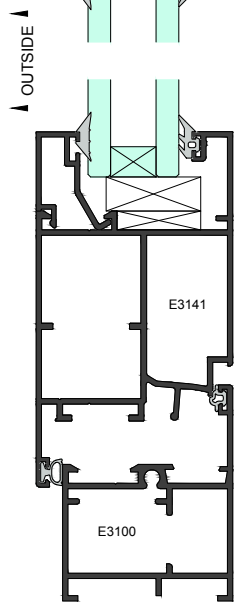
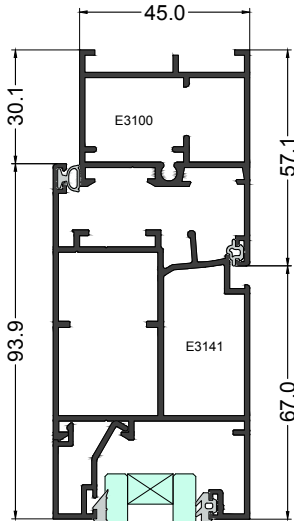
**HINGED DOOR**

**(OPEN IN)**

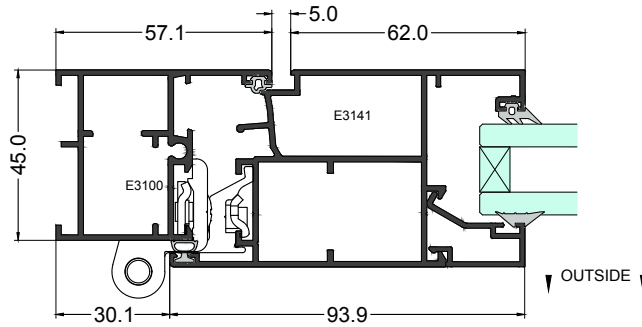
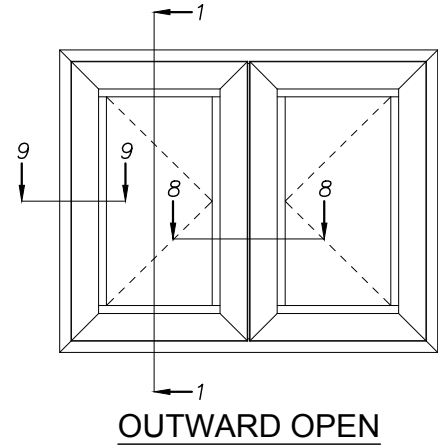
**THERMECO™**



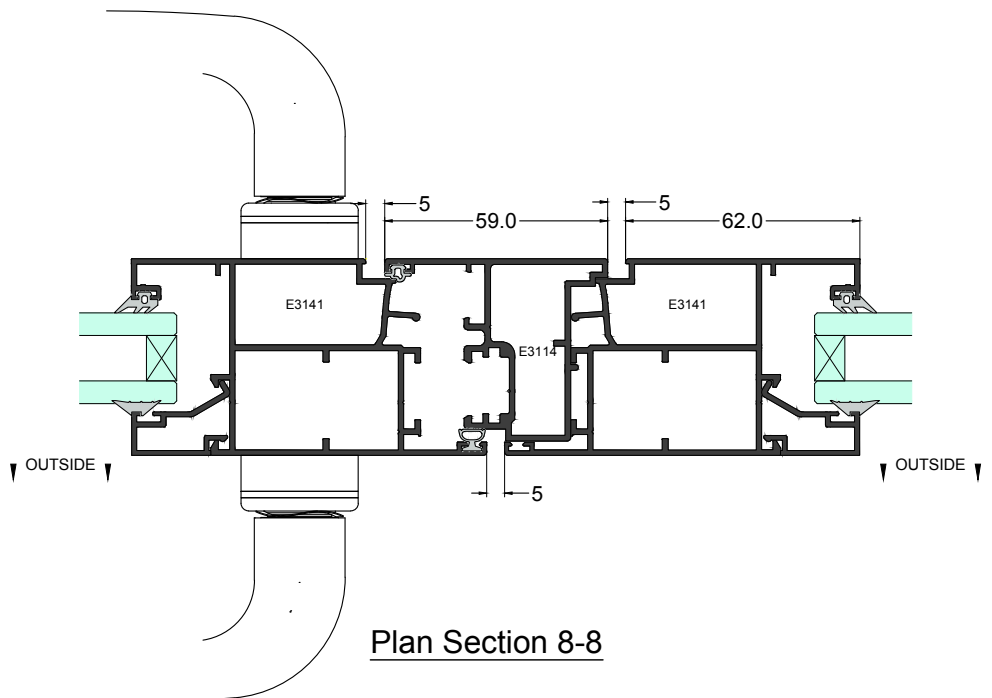
## Layouts



Elevation Section 1-1



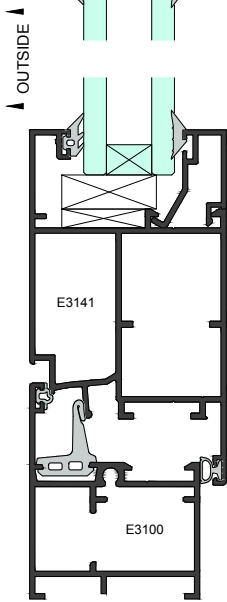
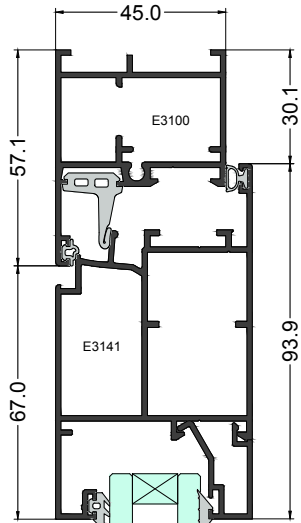
Plan Section 9-9



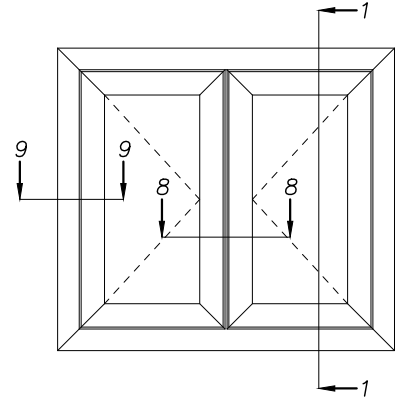
Plan Section 8-8

## Layouts

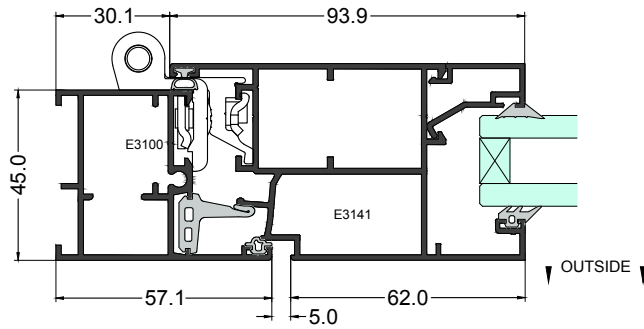
(OPEN IN)



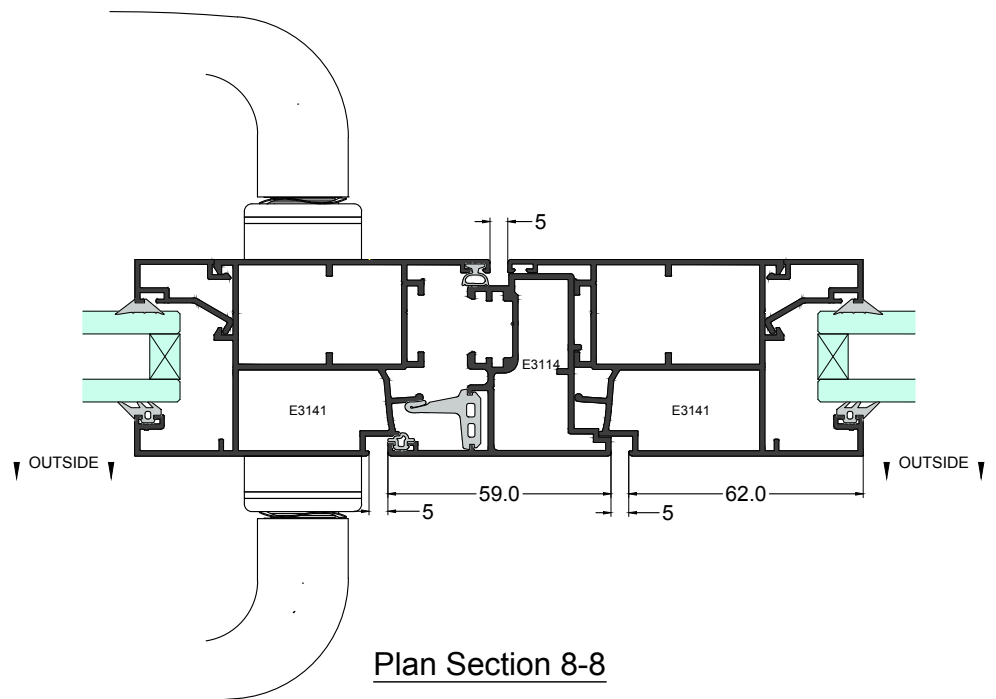
Elevation Section 1-1



INWARD OPEN



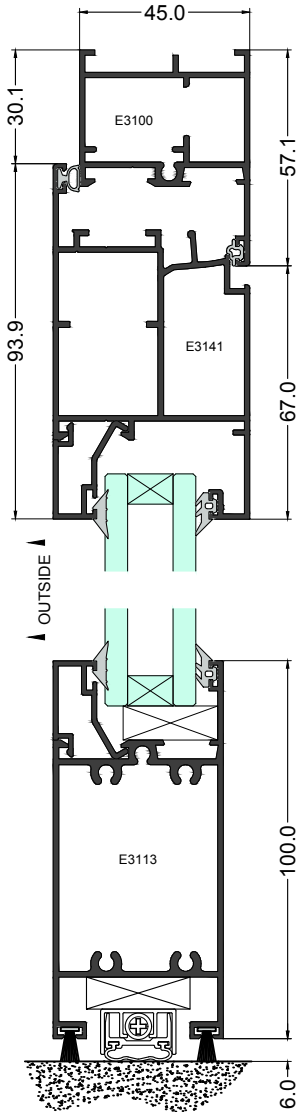
Plan Section 9-9



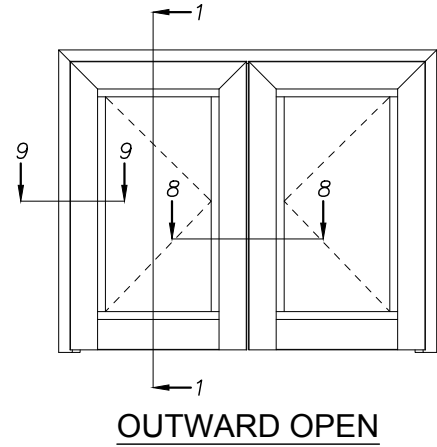
Plan Section 8-8

## Layouts

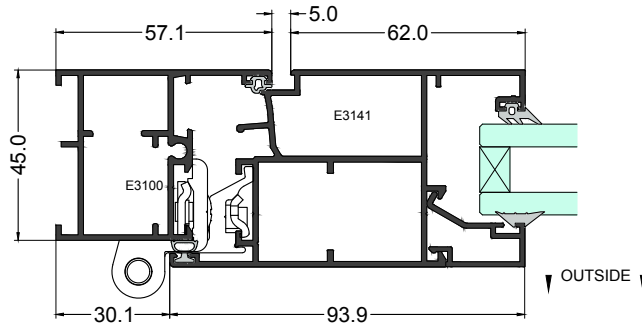
(OPEN OUT)



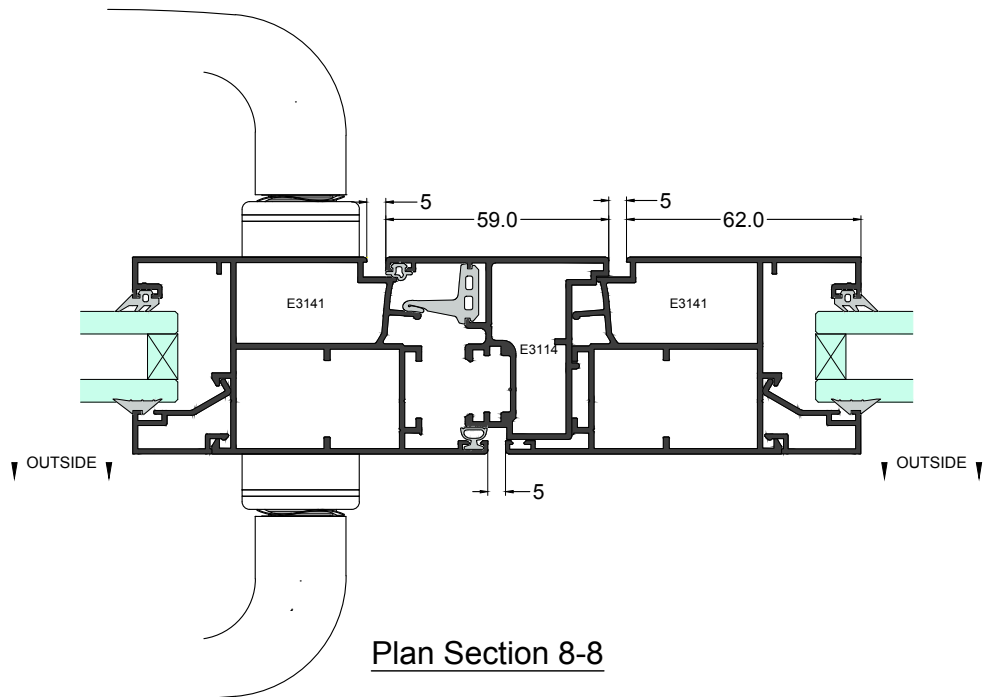
Elevation Section 1-1



OUTWARD OPEN



Plan Section 9-9



Plan Section 8-8

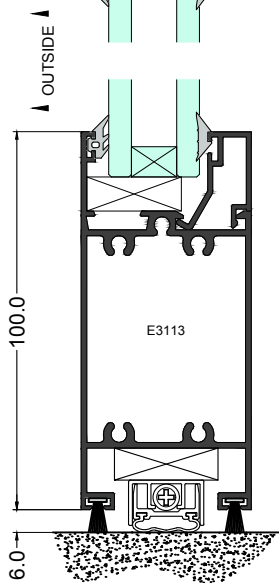
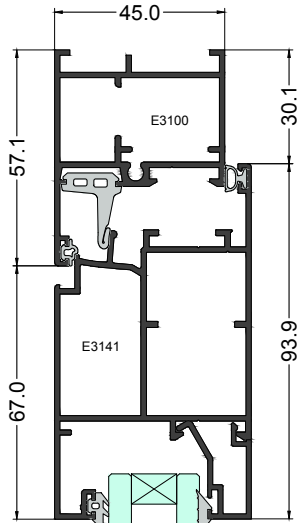
# EC45

# HINGED DOOR

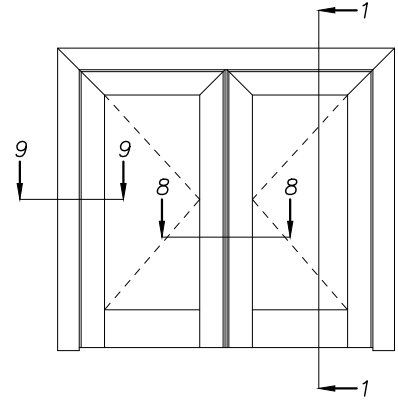
# THERMECO™

Layouts

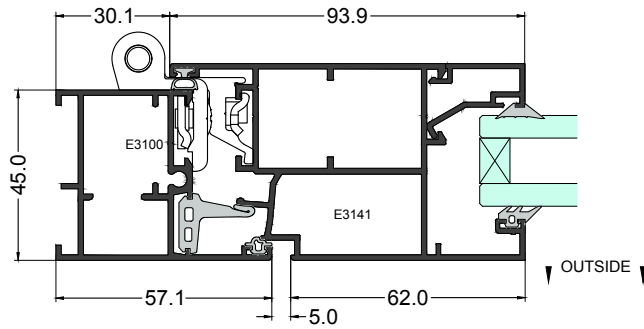
(OPEN IN)



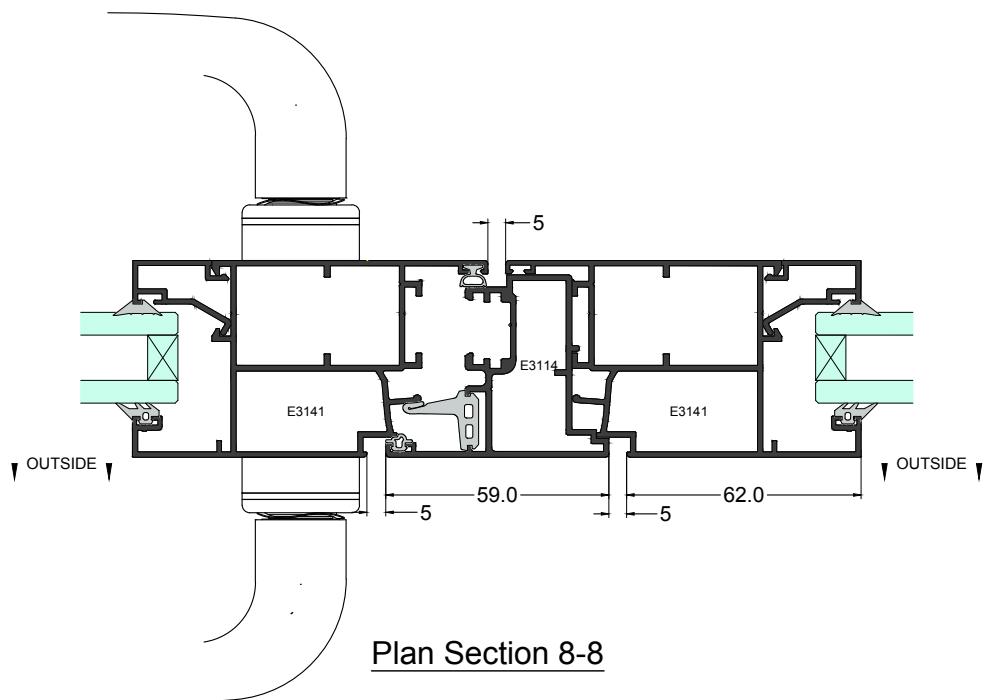
Elevation Section 1-1



INWARD OPEN

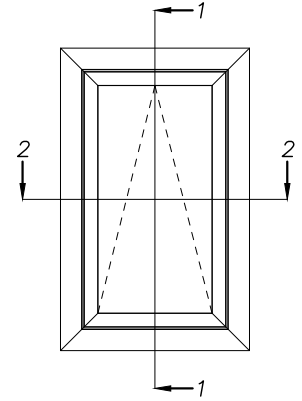
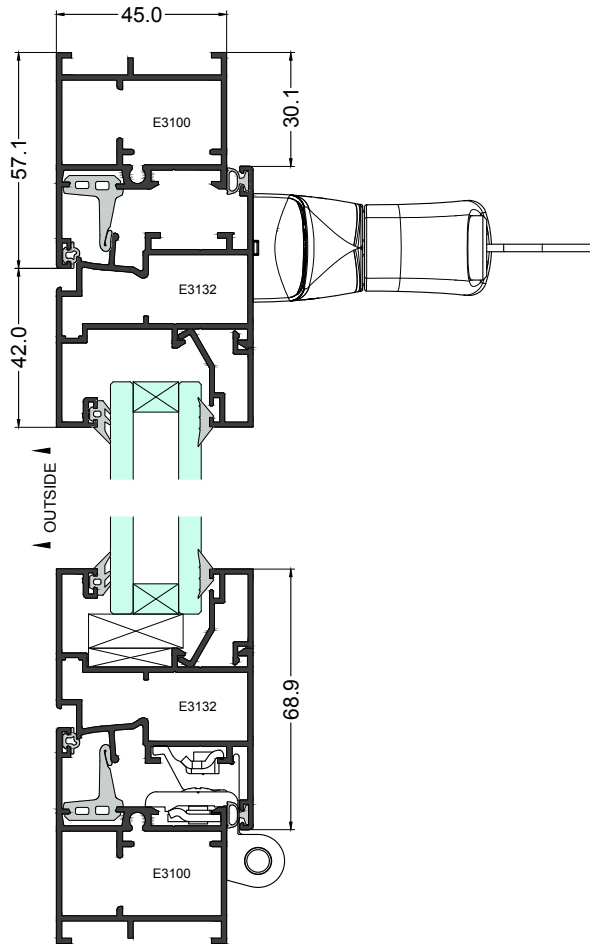


Plan Section 9-9

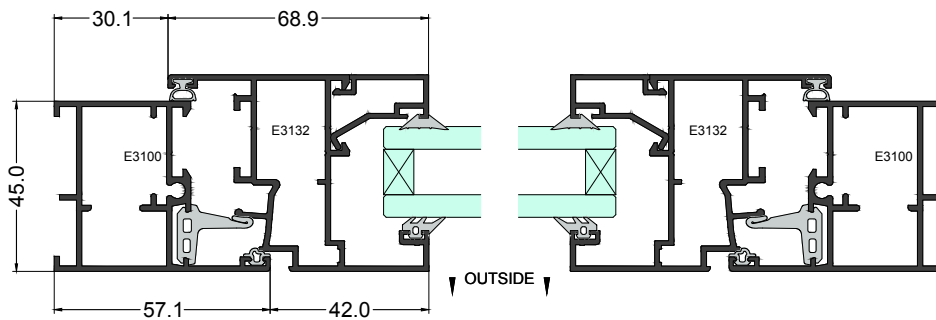


Plan Section 8-8

## Layouts

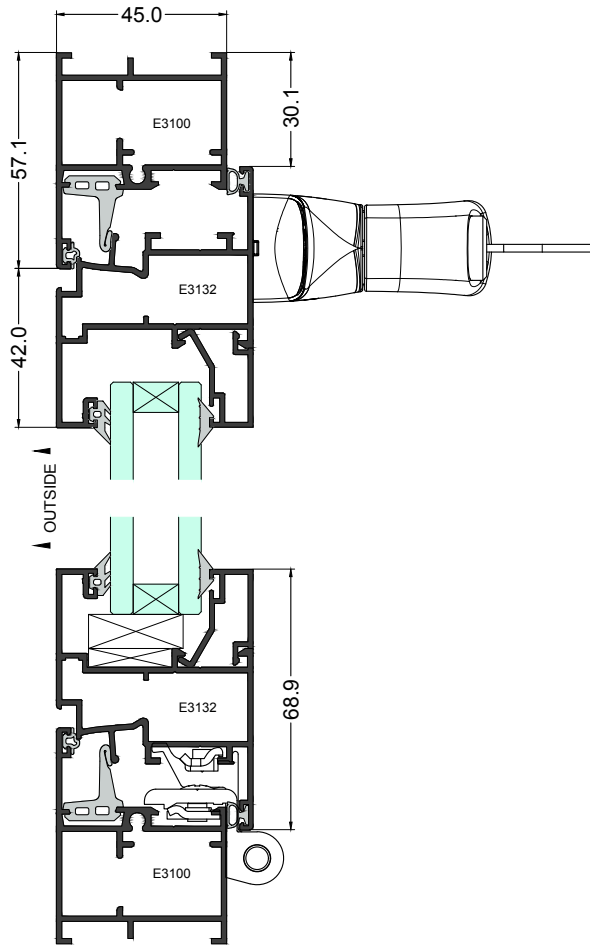


Elevation Section 1-1

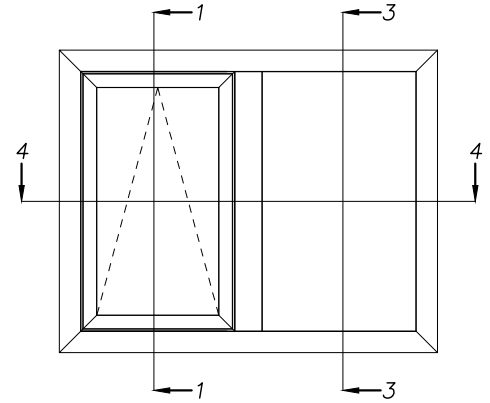


Plan Section 2-2

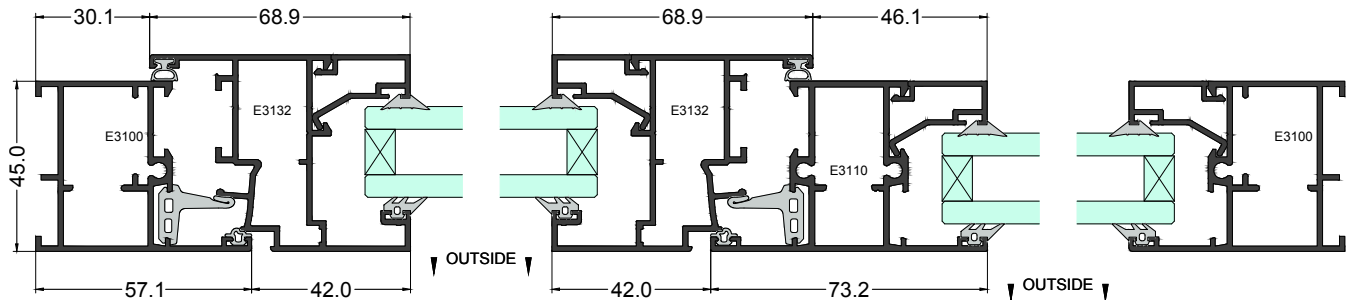
## Layouts



Elevation Section 1-1

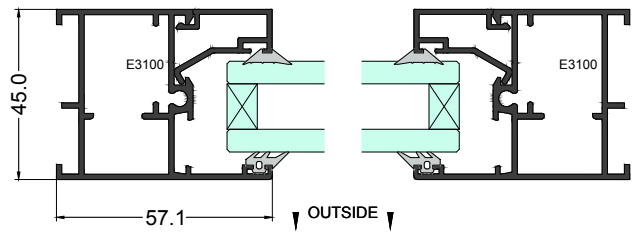
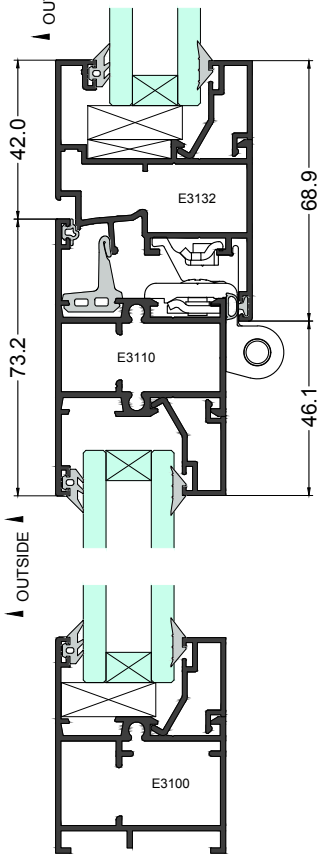
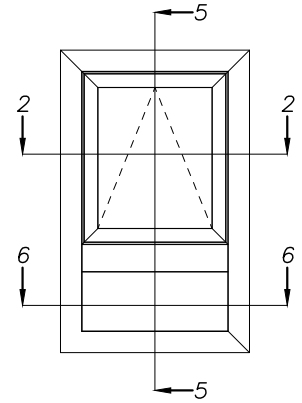
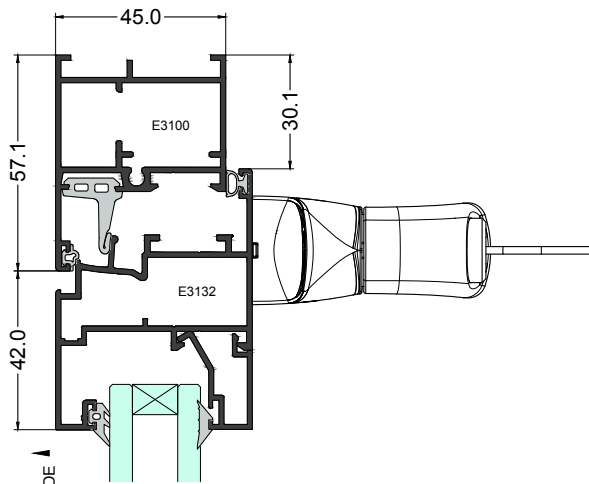


Elevation Section 3-3



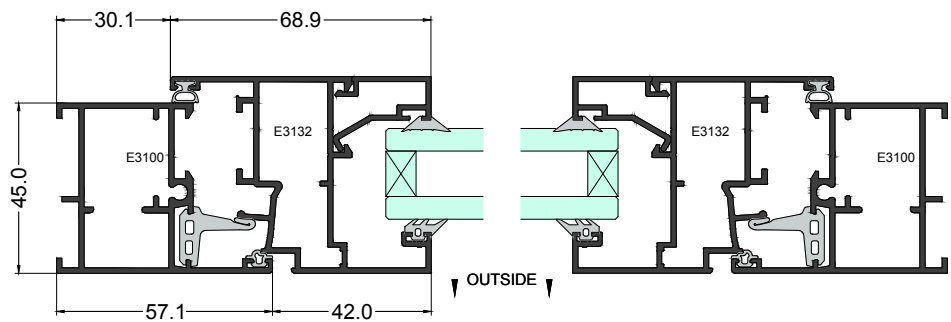
Plan Section 4-4

## Layouts



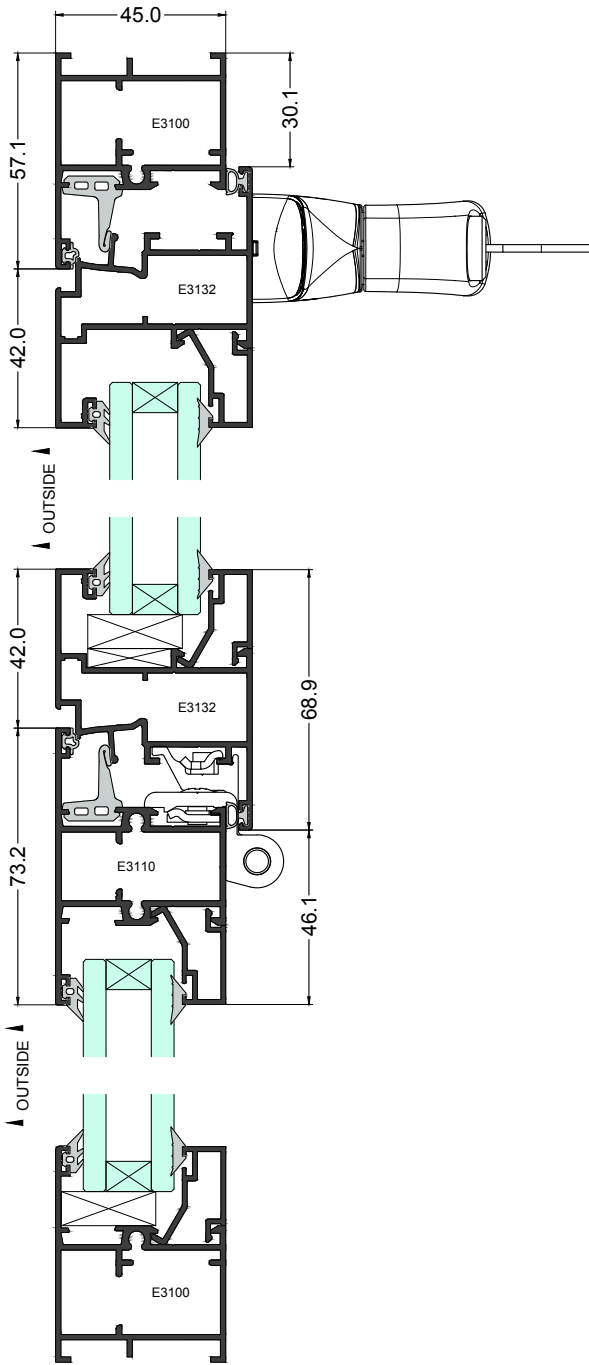
Plan Section 6-6

Elevation Section 5-5

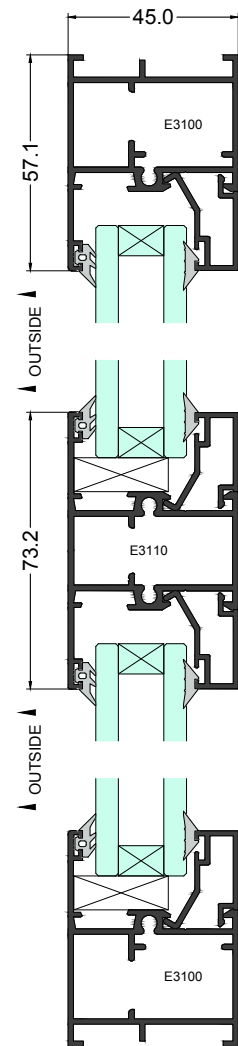
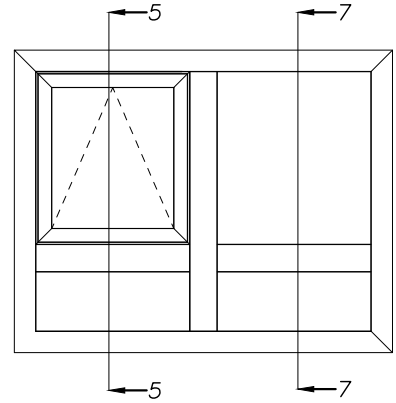


Plan Section 2-2

## Layouts



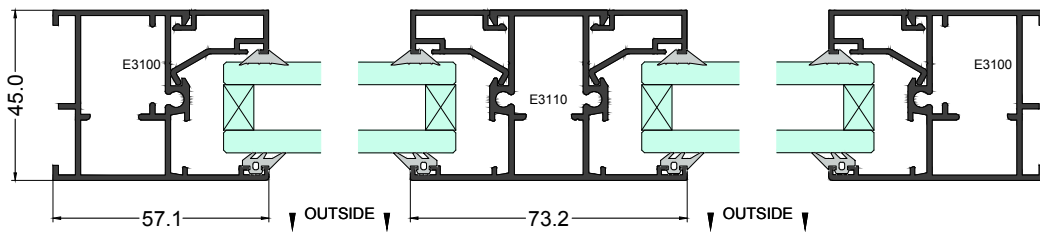
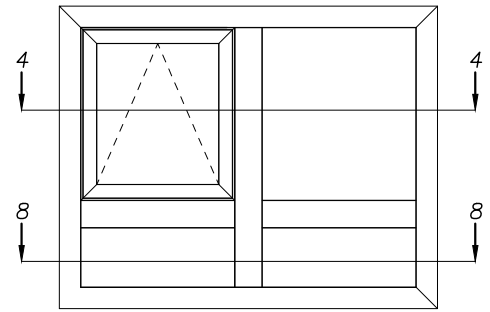
Elevation Section 5-5



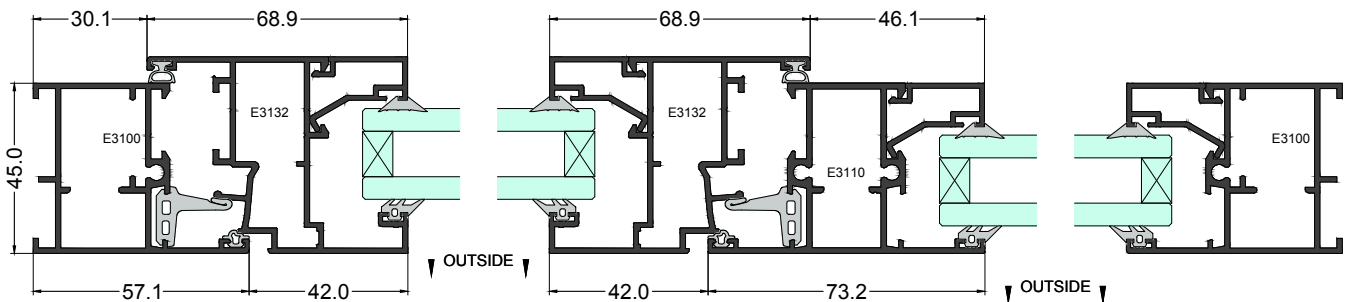
Elevation Section 7-7



## Layouts



Plan Section 8-8



Plan Section 4-4