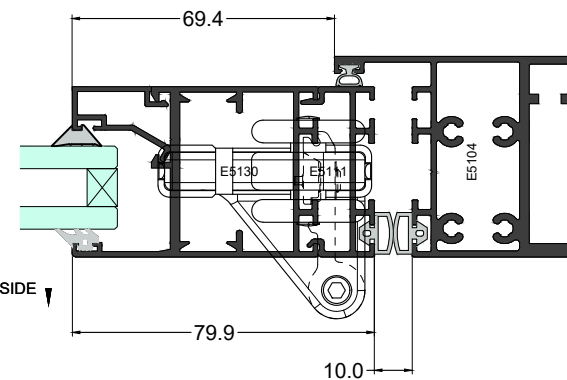
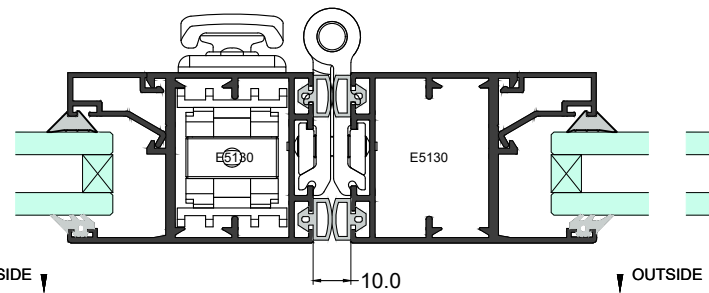
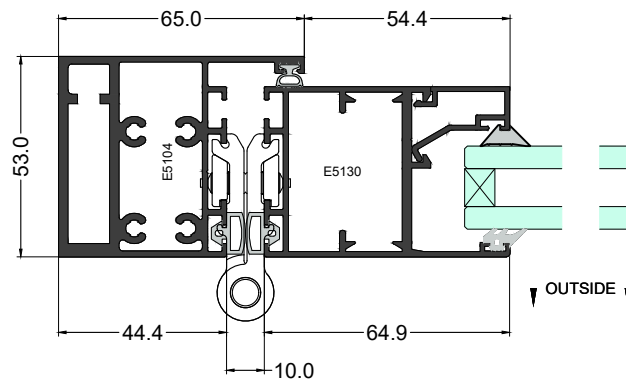
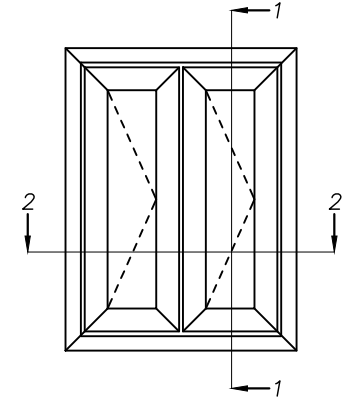


Elevation Section 1-1

Alternative Sill



Plan Section 2-2

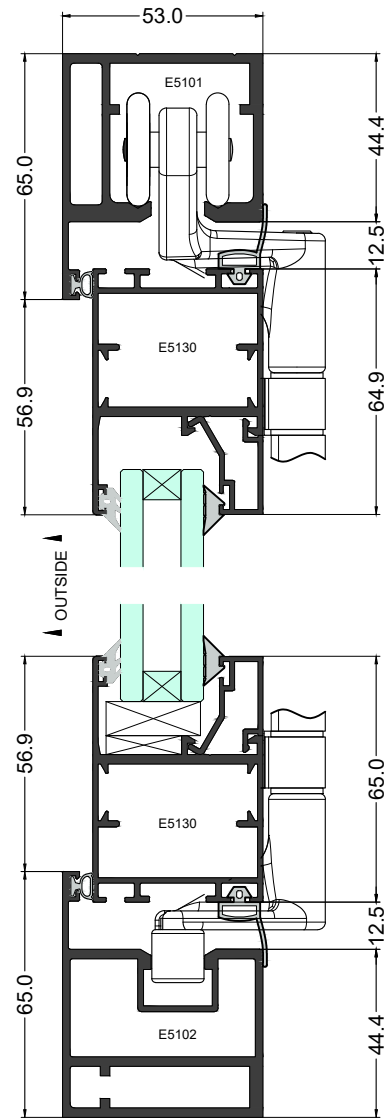
EC55

Layouts

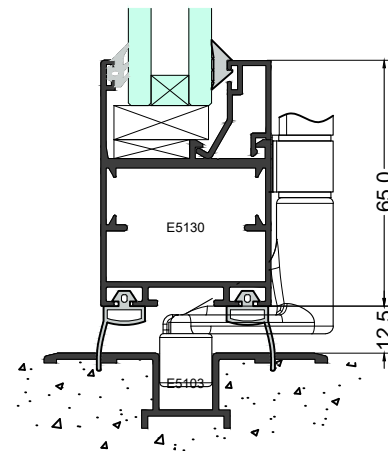
BI-FOLD

(OPEN IN)

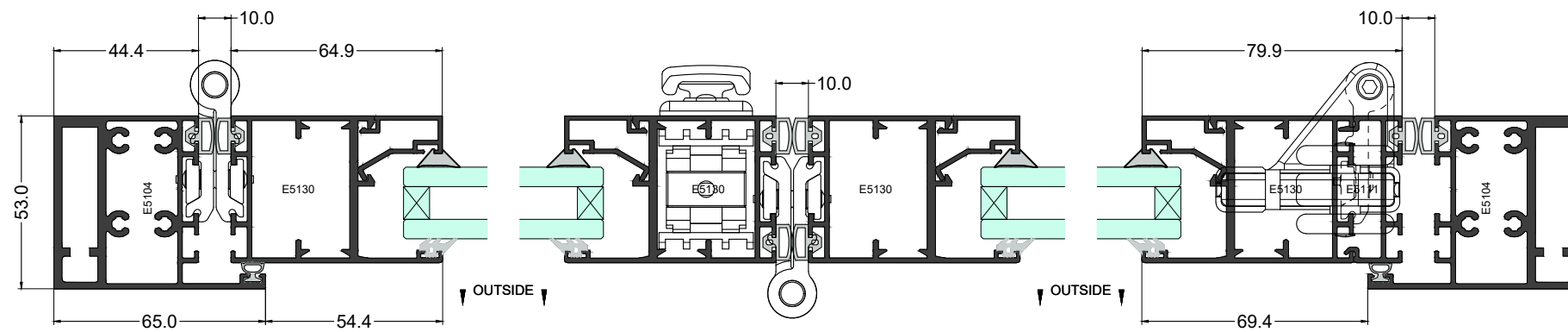
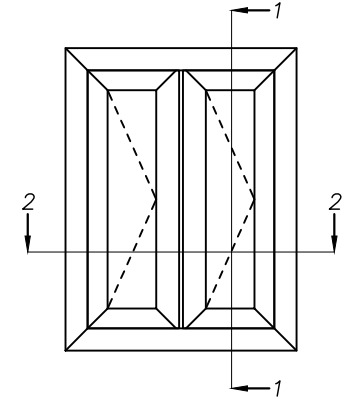
THERMECO™



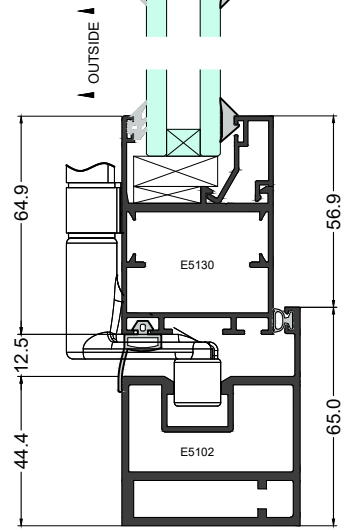
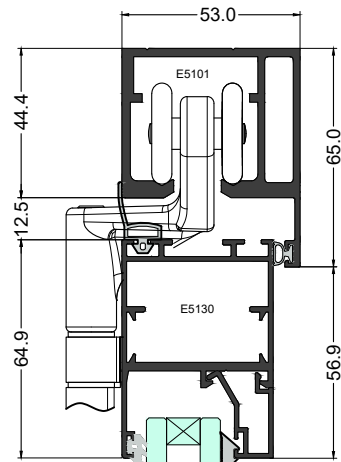
Elevation Section 1-1



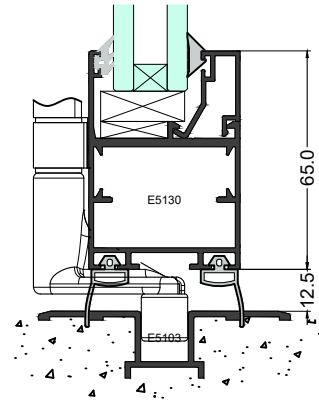
Alternative Sill



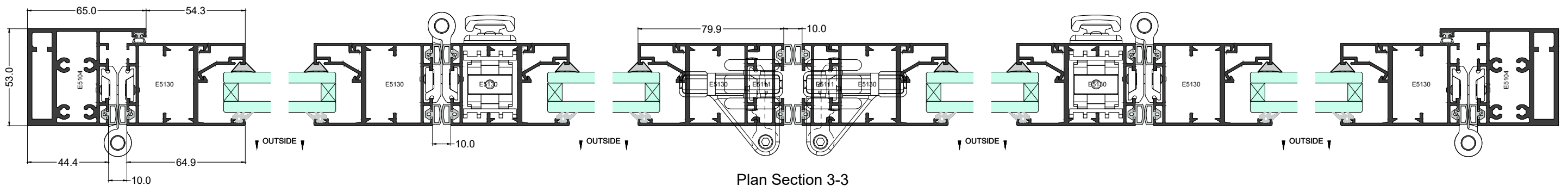
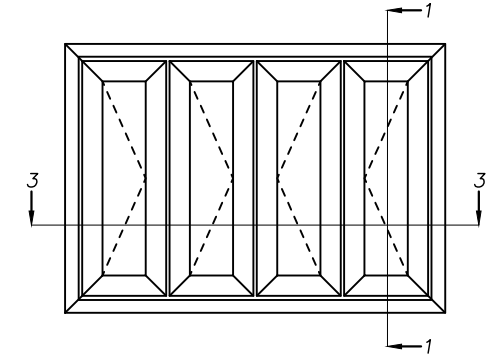
Plan Section 2-2



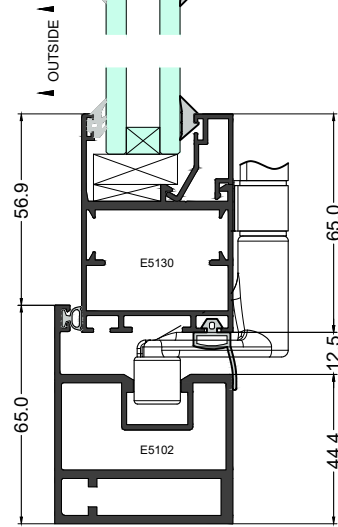
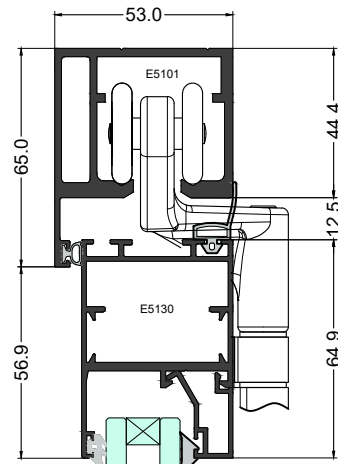
Elevation Section 1-1



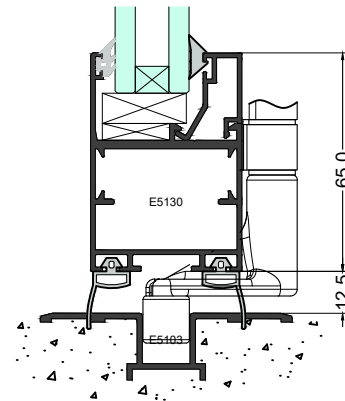
Alternative Sill



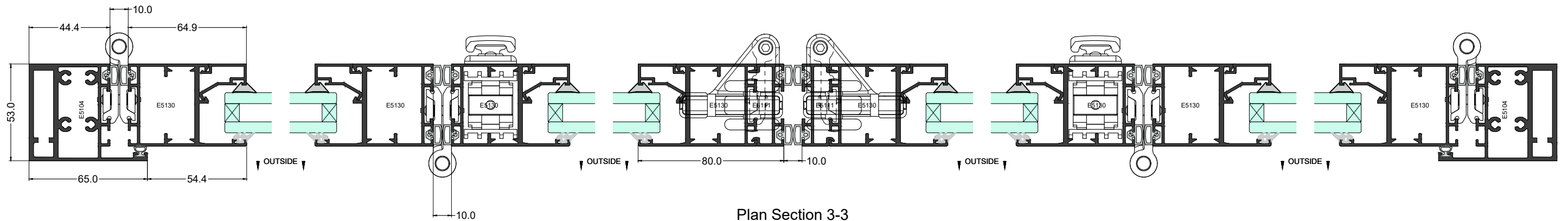
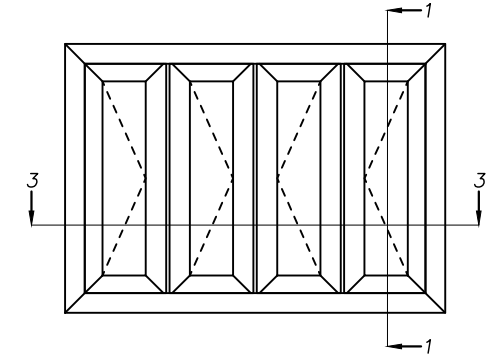
Plan Section 3-3



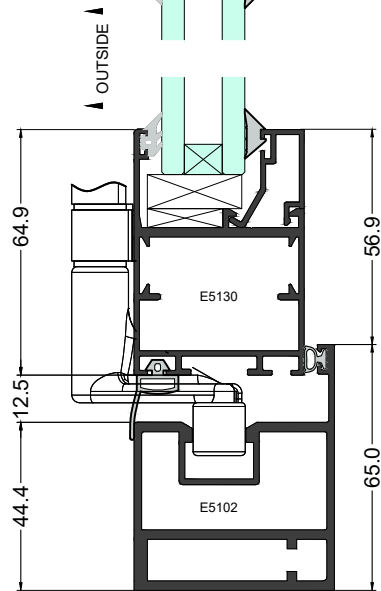
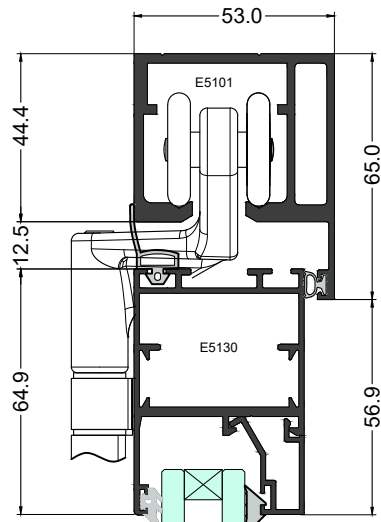
Elevation Section 1-1



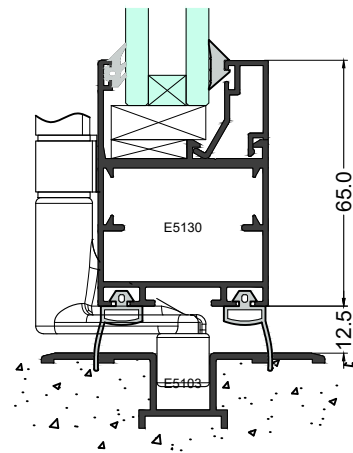
Alternative Sill



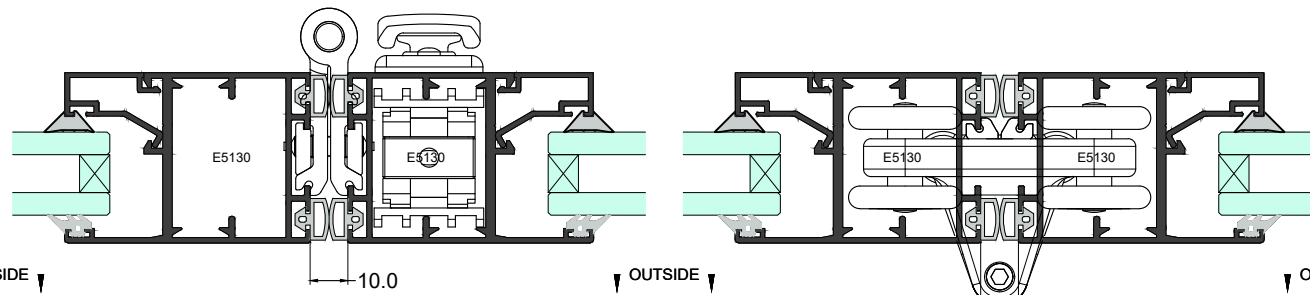
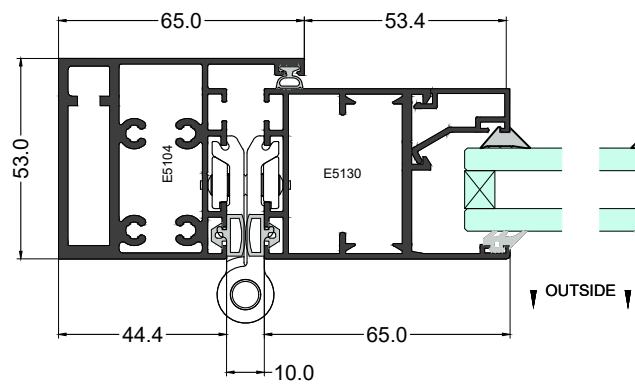
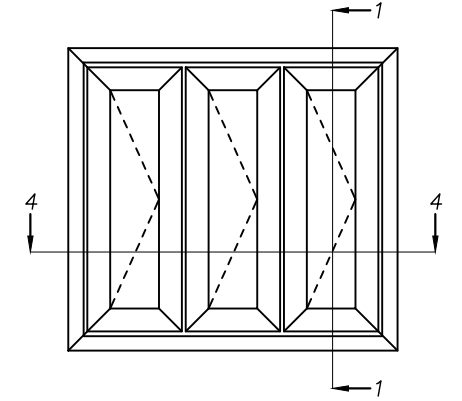
Plan Section 3-3



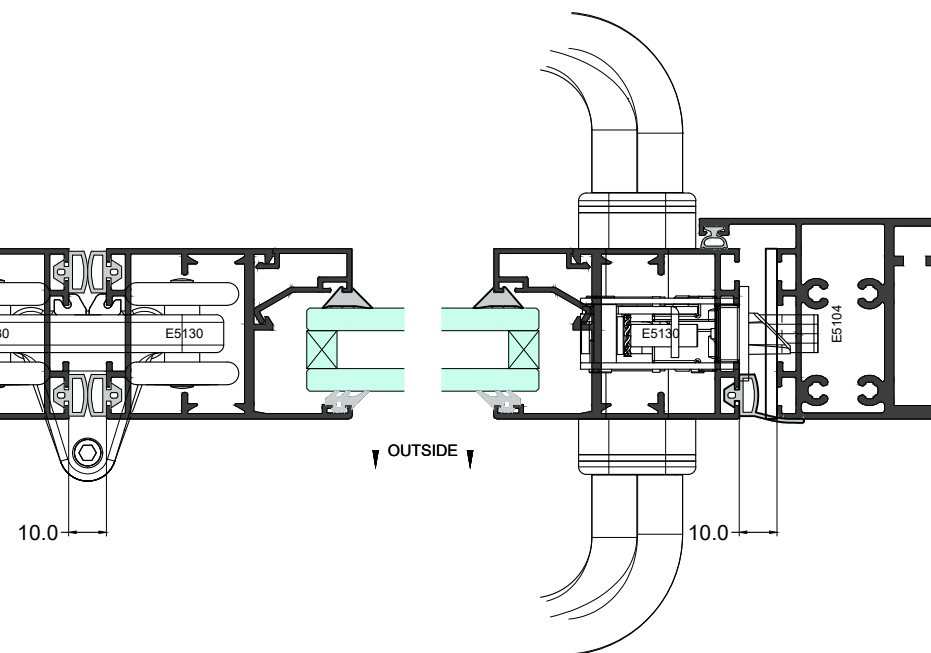
Elevation Section 1-1

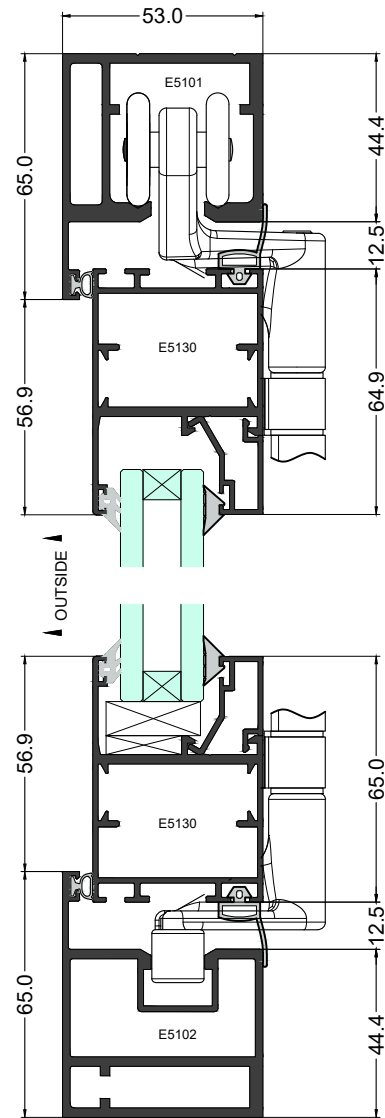


Alternative Sill

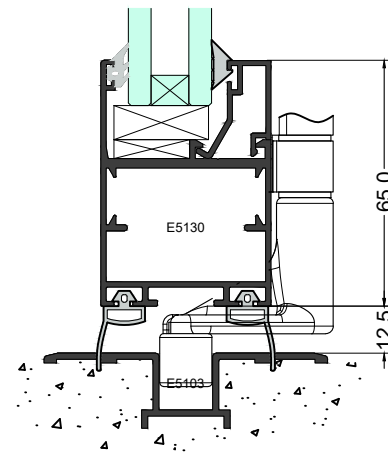


Plan Section 4-4

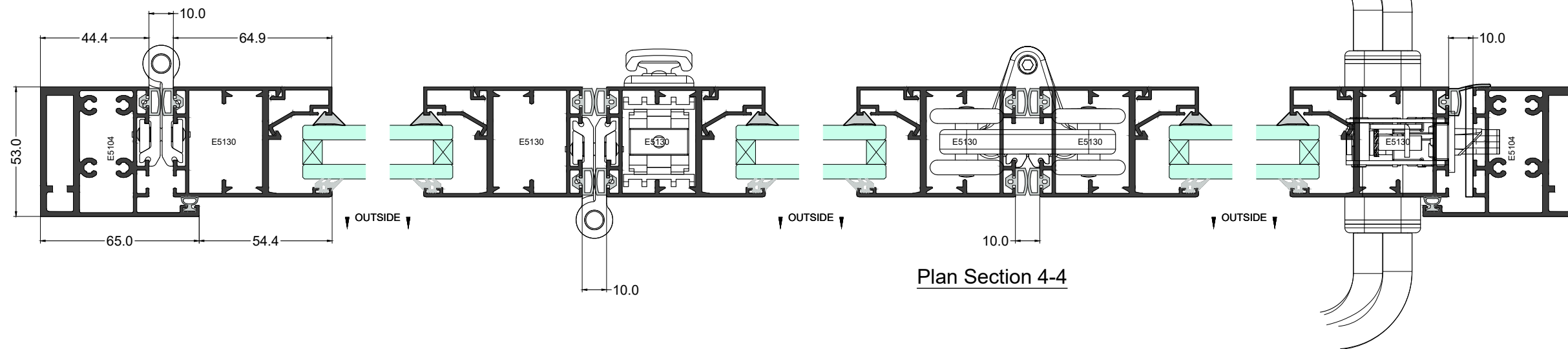
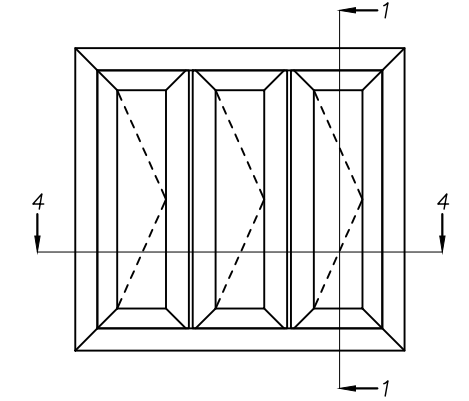




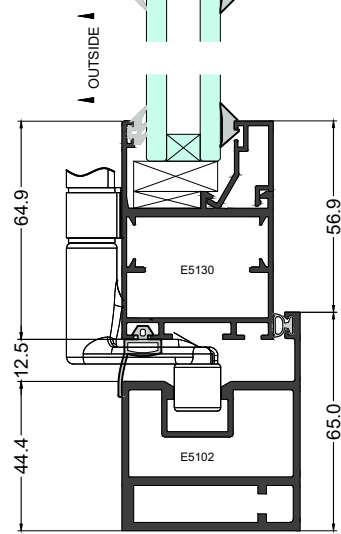
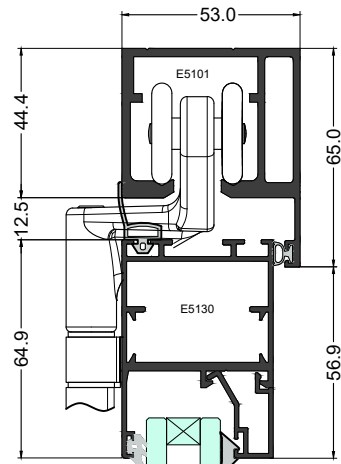
Elevation Section 1-1



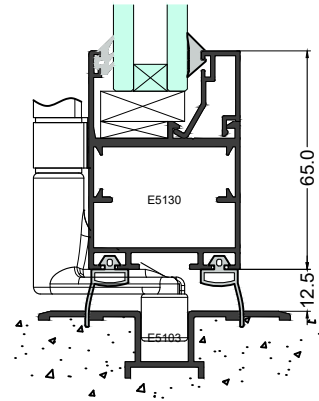
Alternative Sill



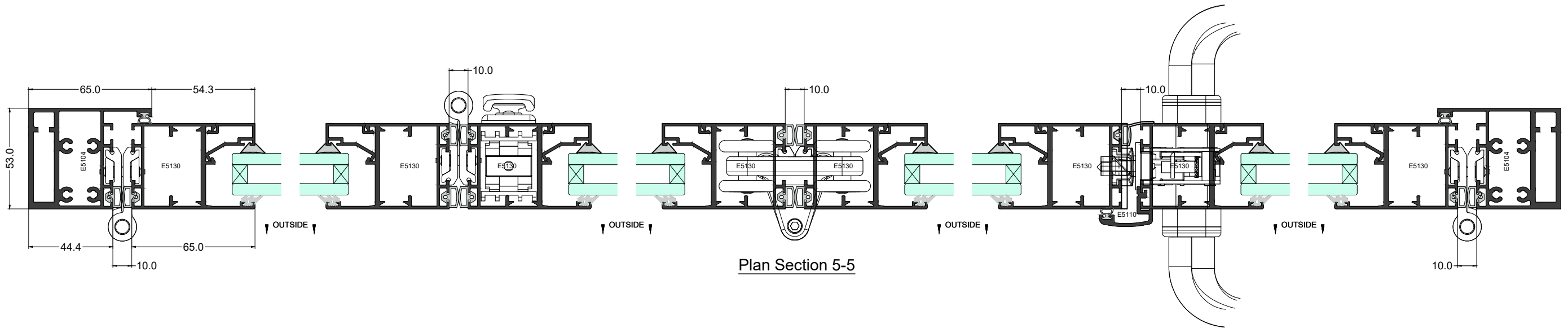
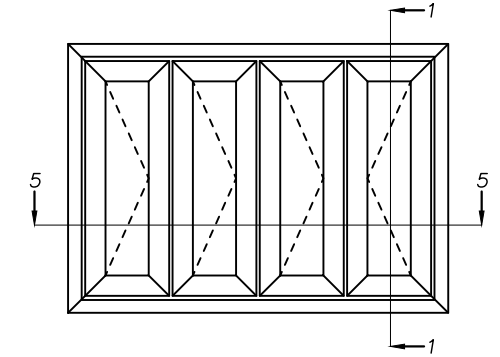
Plan Section 4-4



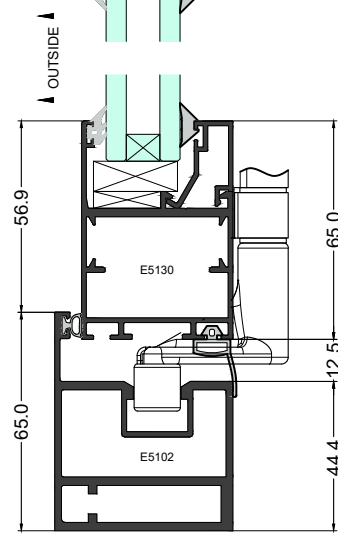
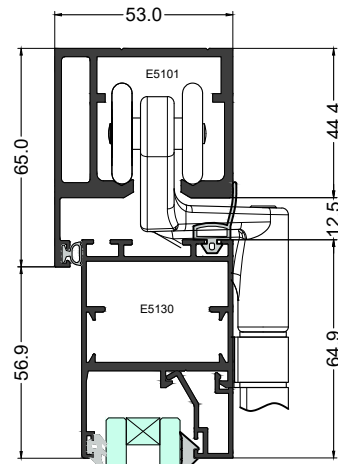
Elevation Section 1-1



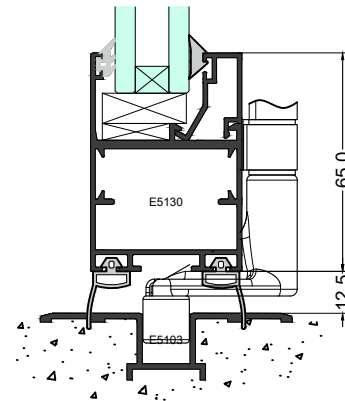
Alternative Sill



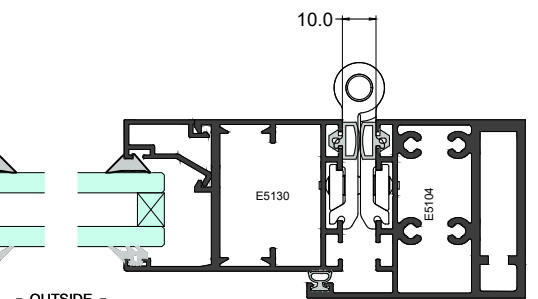
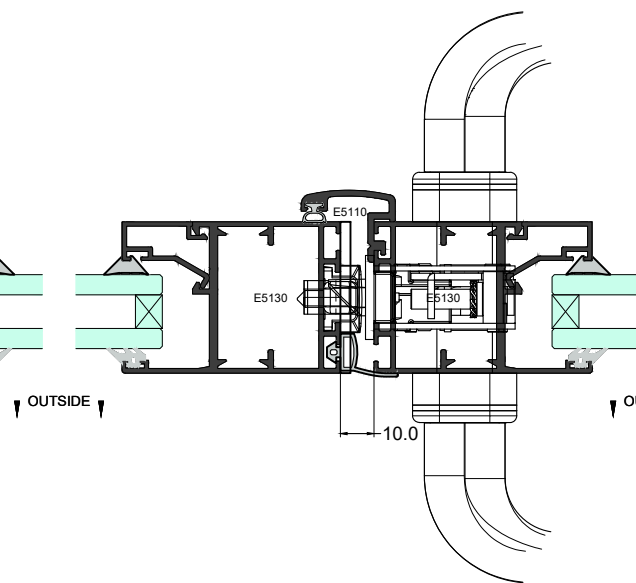
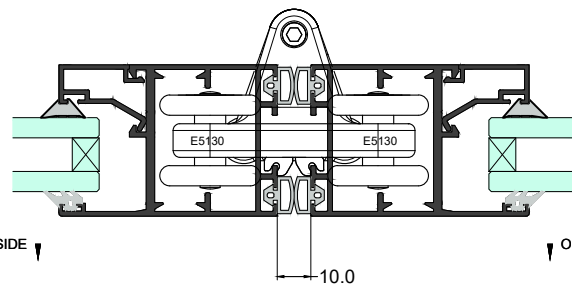
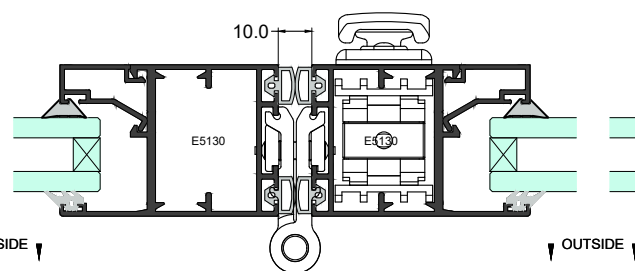
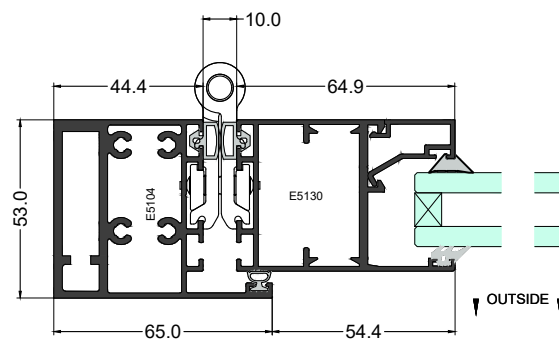
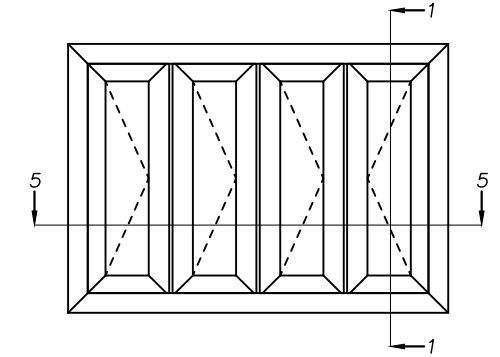
Plan Section 5-5



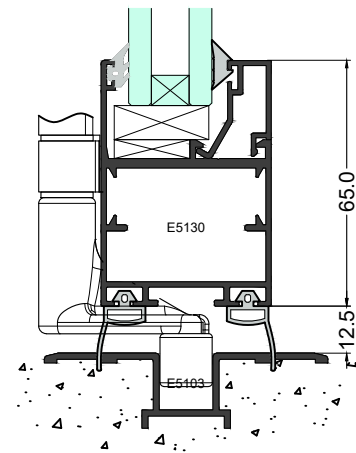
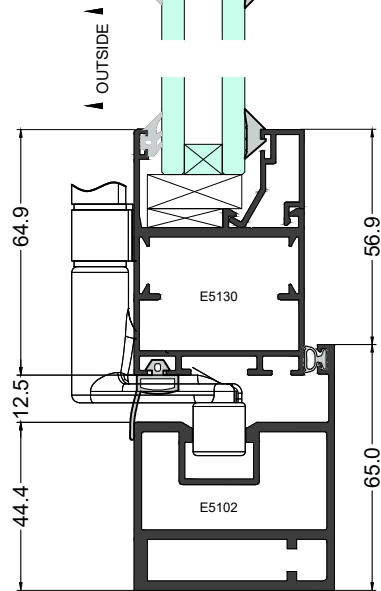
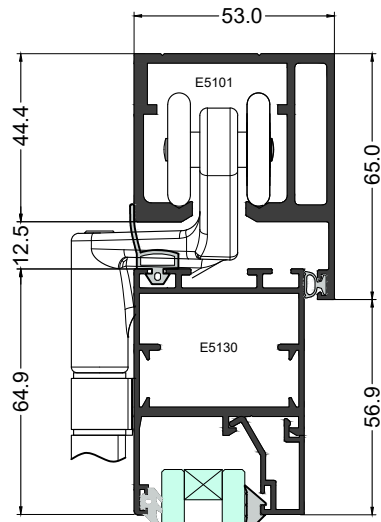
Elevation Section 1-1



Alternative Sill

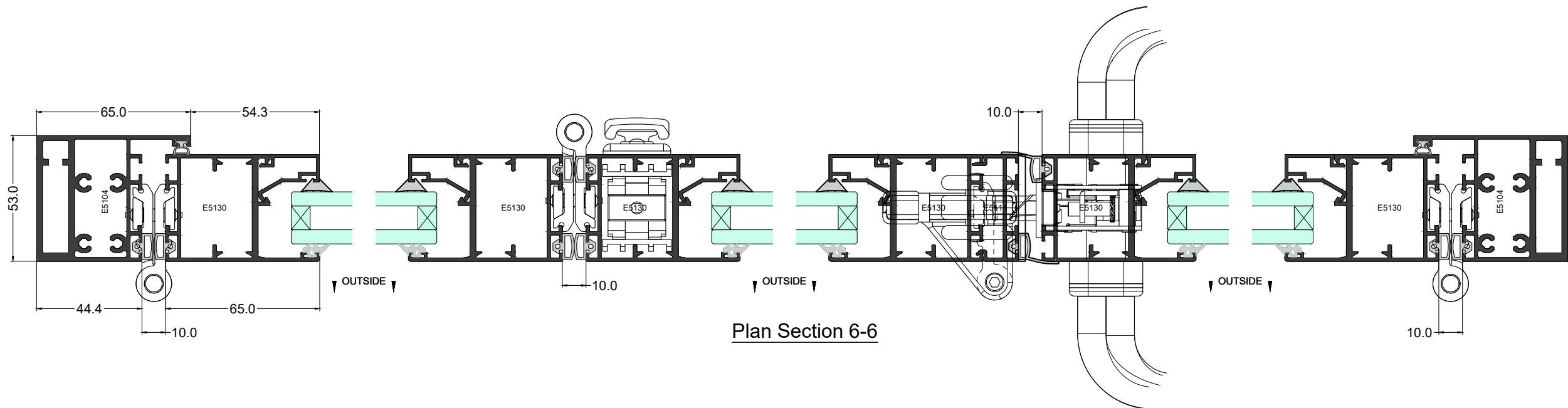
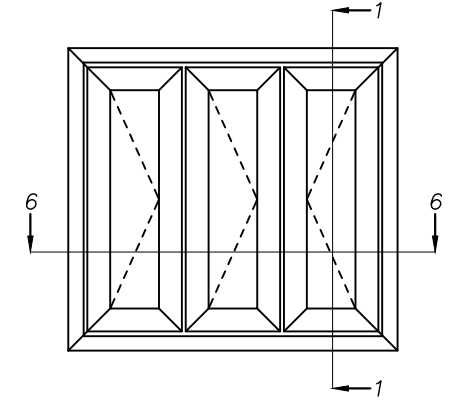


Plan Section 5-5



Elevation Section 1-1

Alternative Sill



Plan Section 6-6

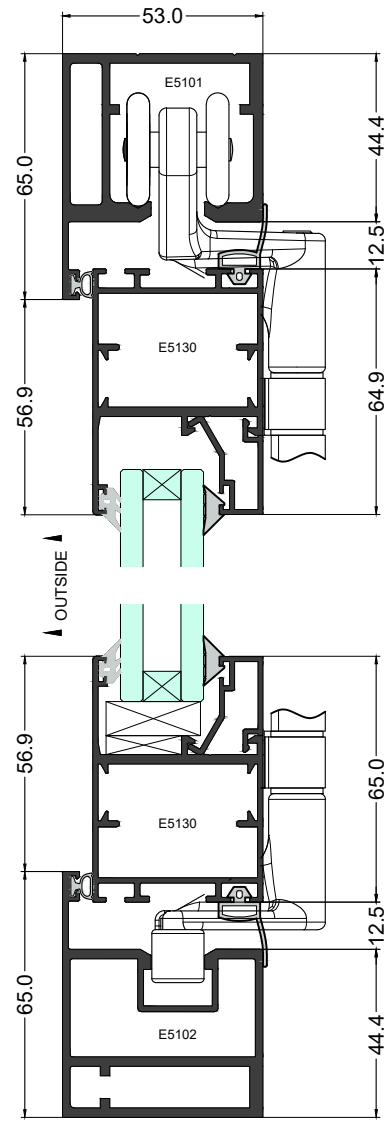
EC55

Layouts

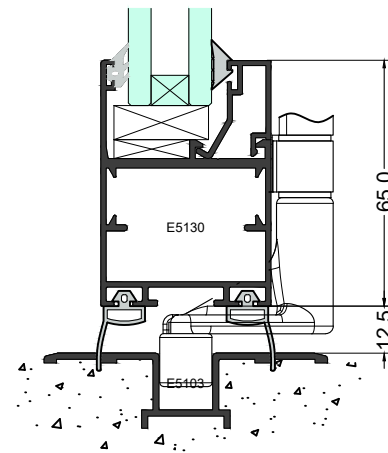
BI-FOLD

(OPEN IN)

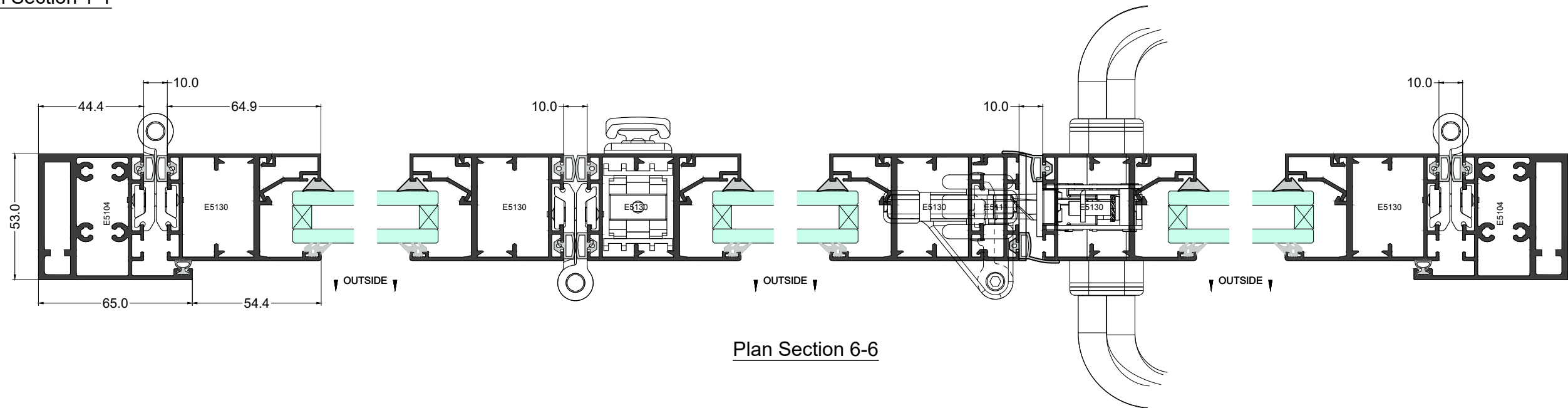
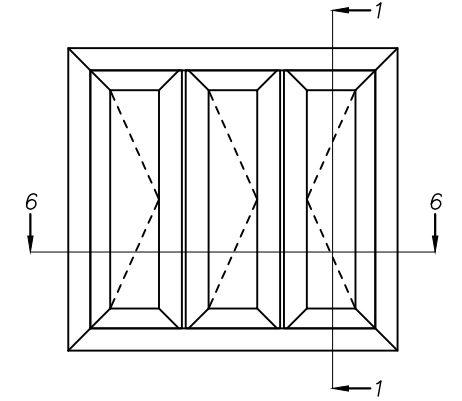
THERMECO™



Elevation Section 1-1



Alternative Sill



Plan Section 6-6