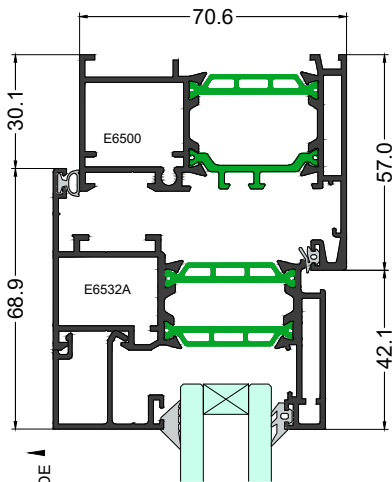
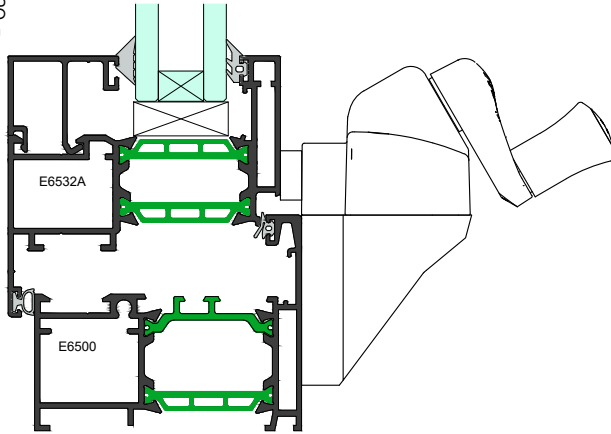


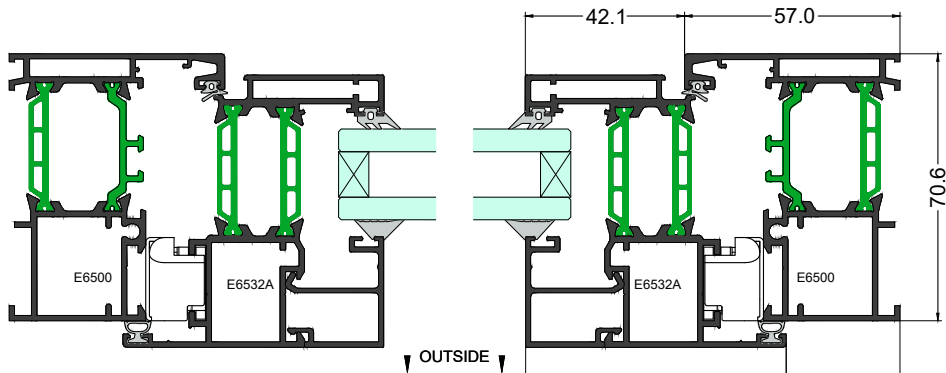
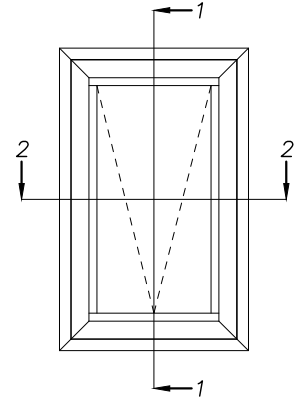
Layouts



↑ OUTSIDE ↑



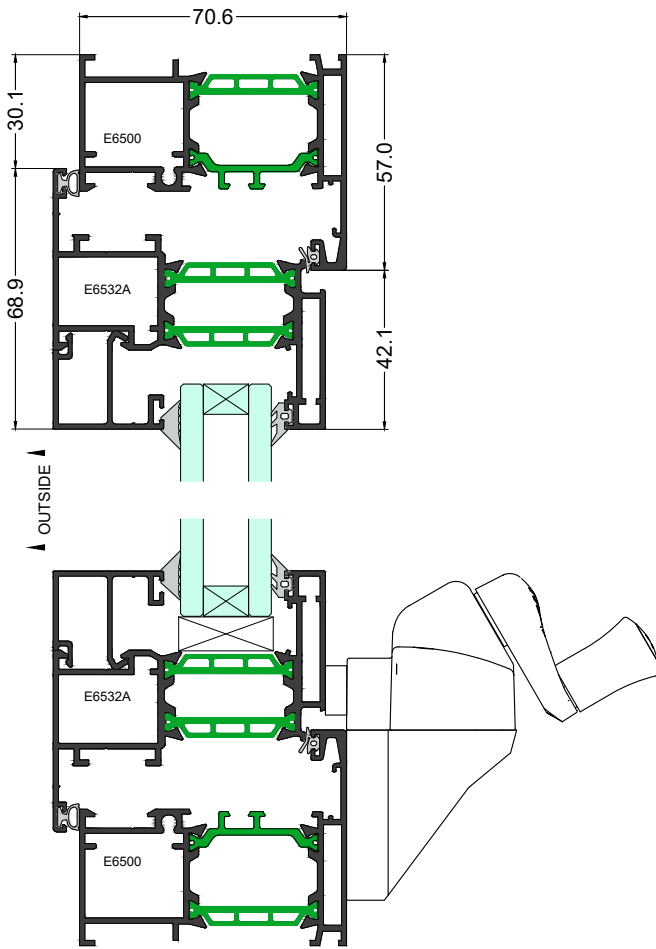
Elevation Section 1-1



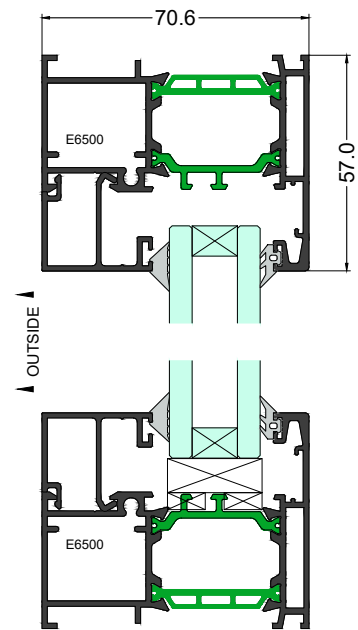
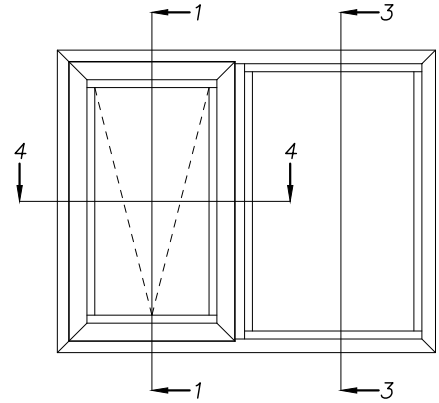
↓ OUTSIDE ↓

Plan Section 2-2

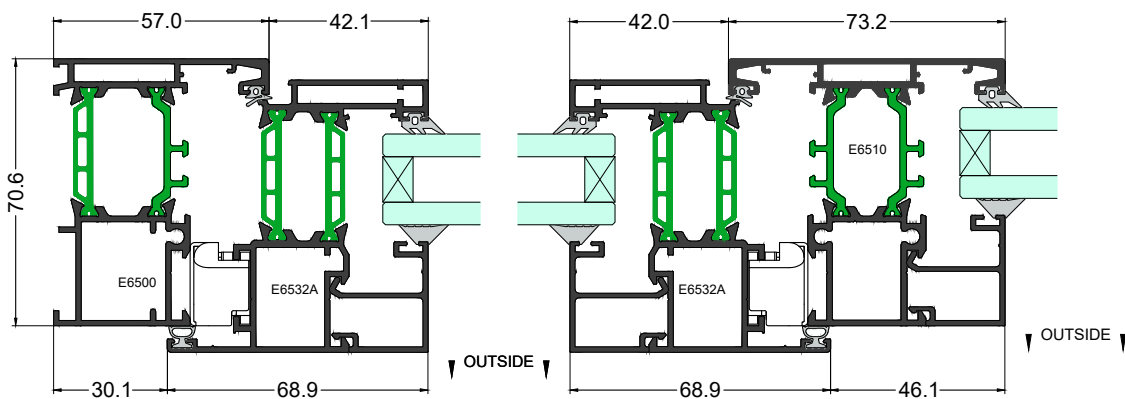
Layouts



Elevation Section 1-1

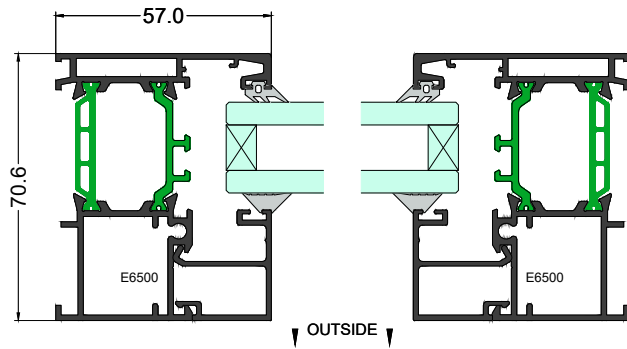
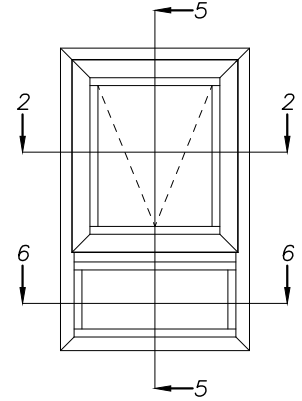
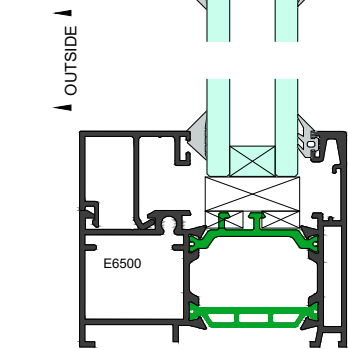
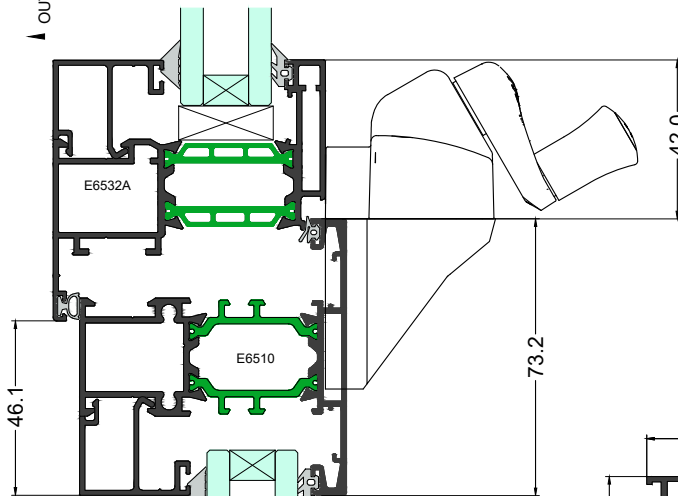
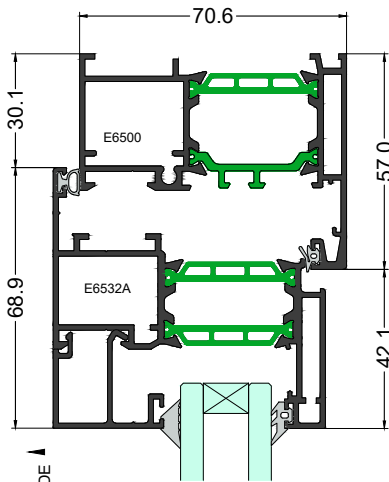


Elevation Section 3-3



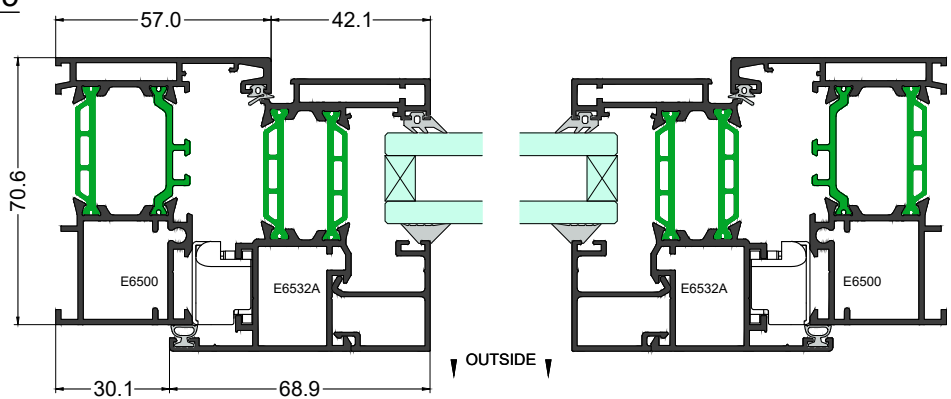
Plan Section 4-4

Layouts



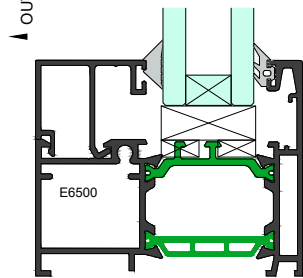
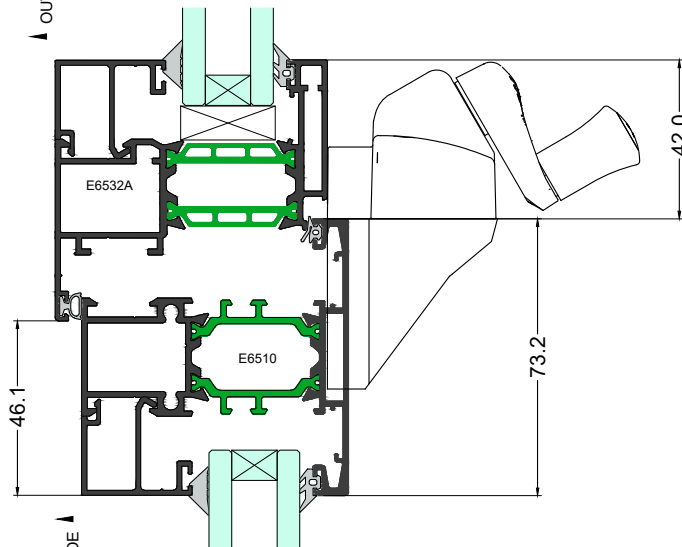
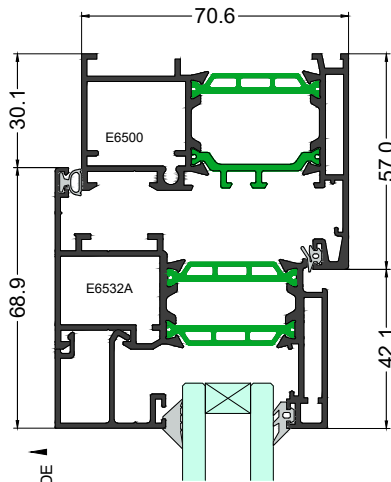
Plan Section 6-6

Elevation Section 5-5

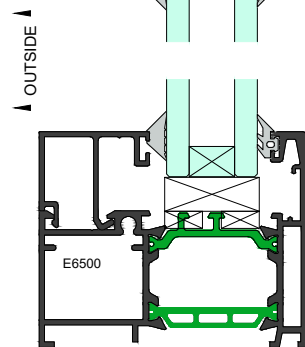
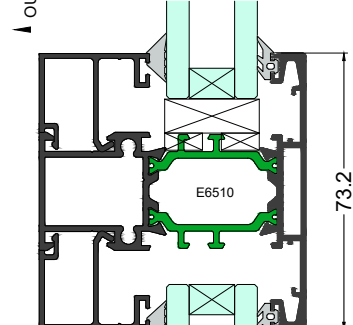
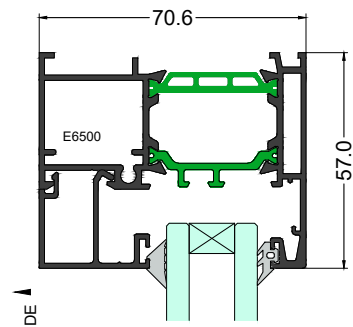
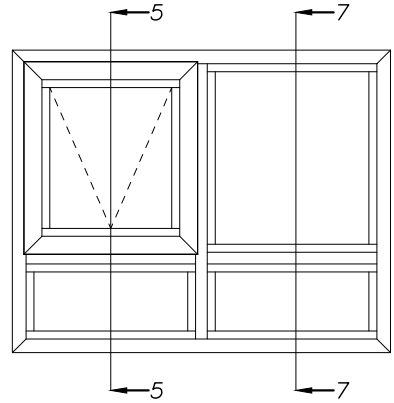


Plan Section 2-2

Layouts

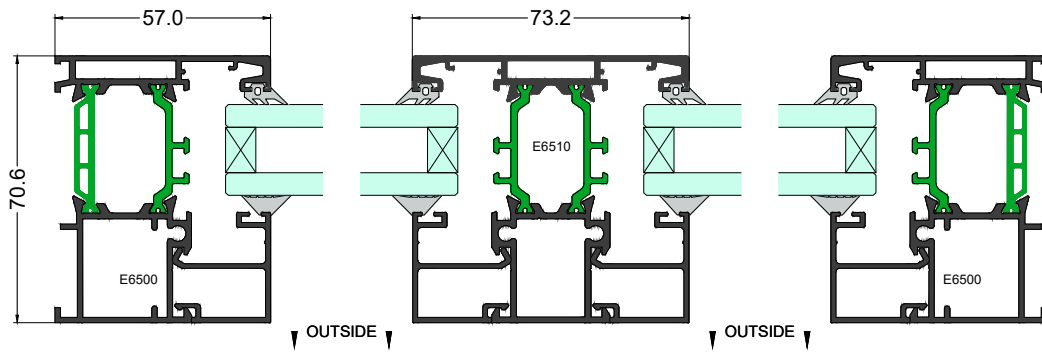
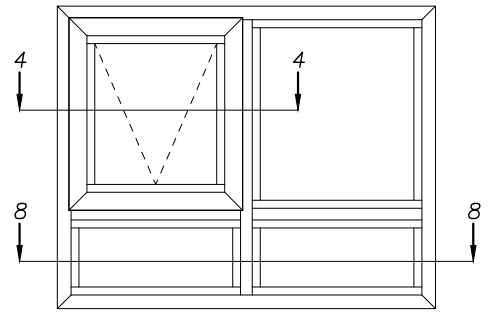


Elevation Section 5-5

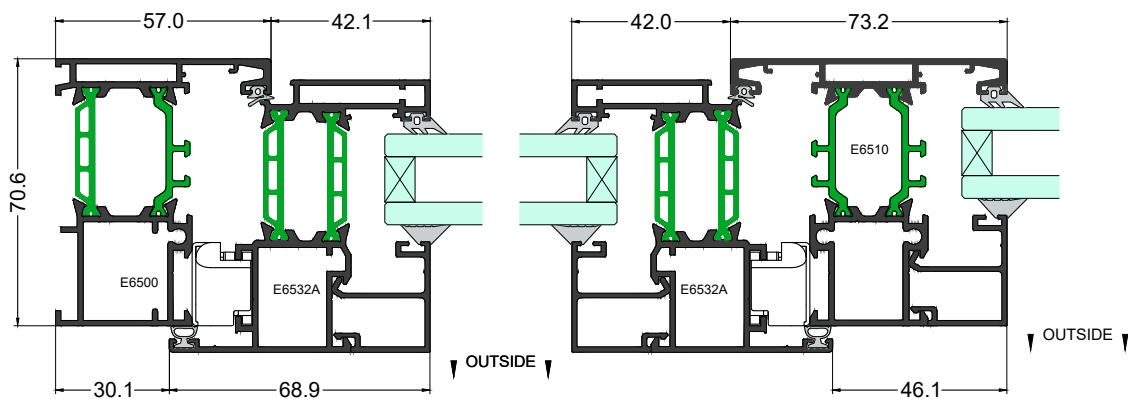


Elevation Section 7-7

Layouts

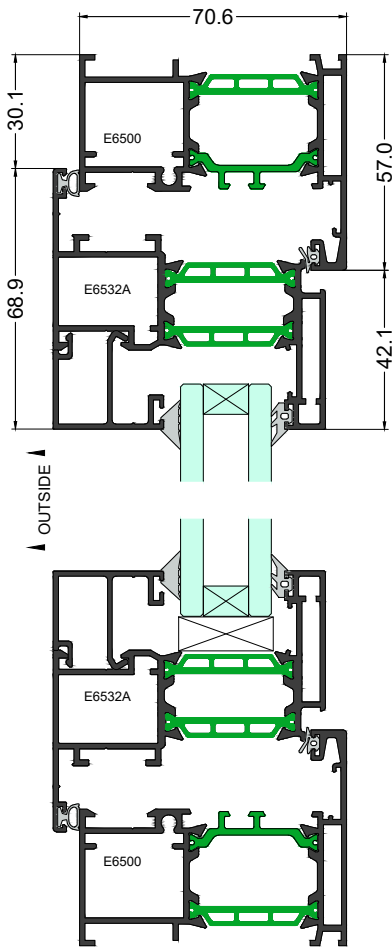


Plan Section 8-8

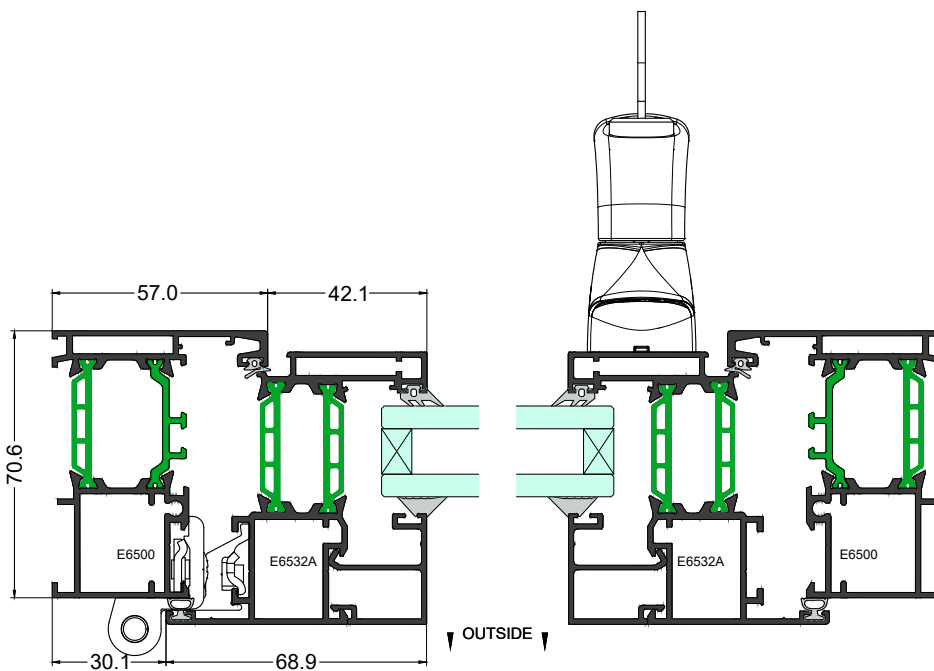
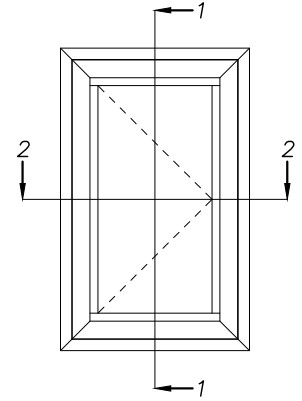


Plan Section 4-4

Layouts

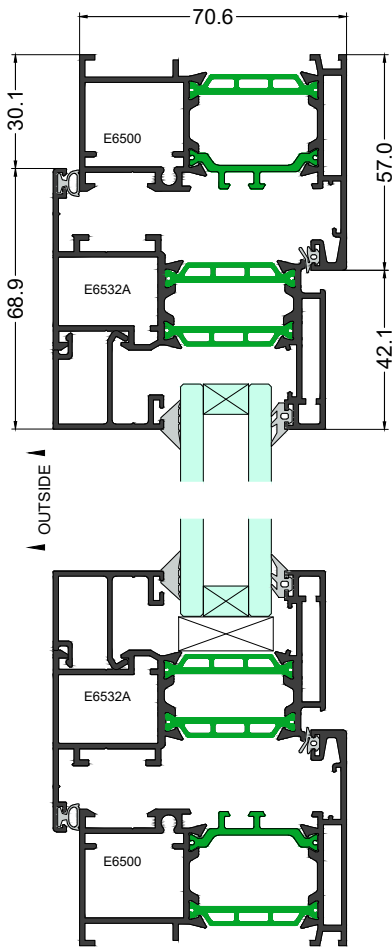


Elevation Section 1-1

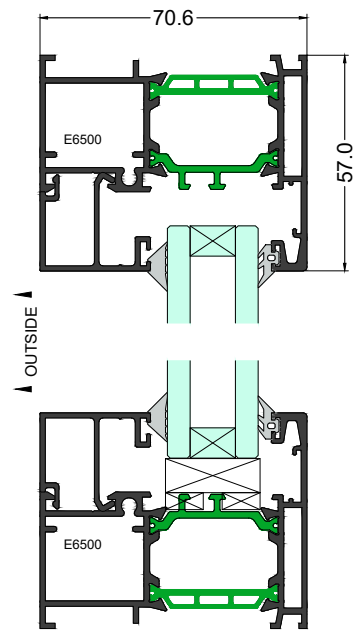
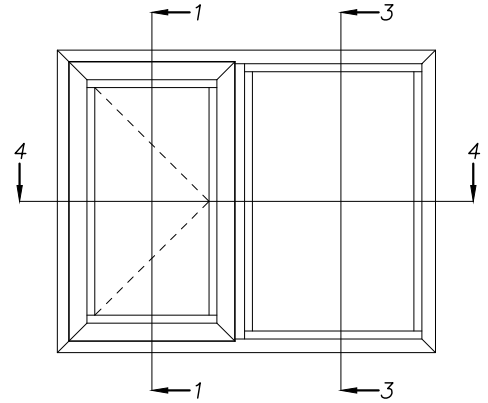


Plan Section 2-2

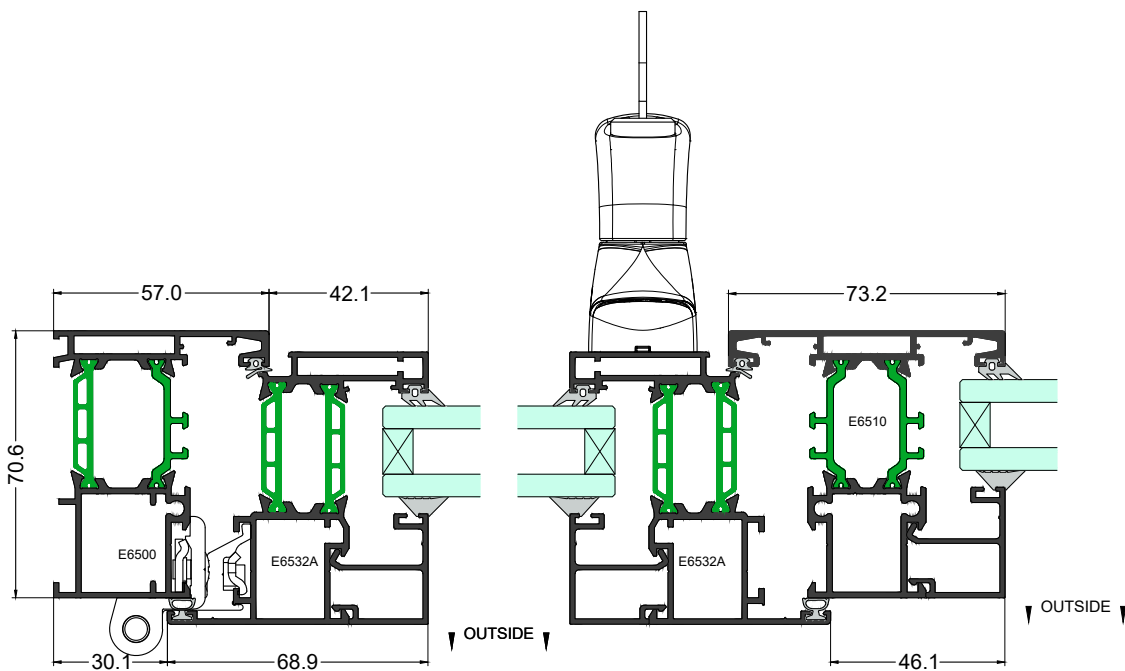
Layouts



Elevation Section 1-1

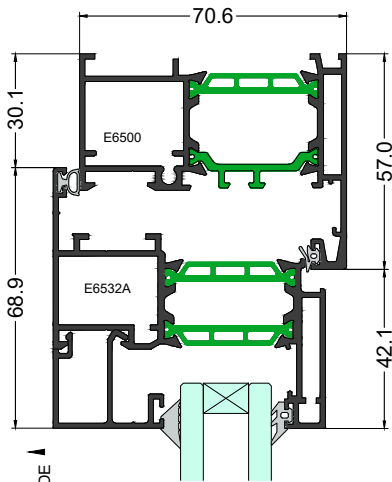


Elevation Section 3-3

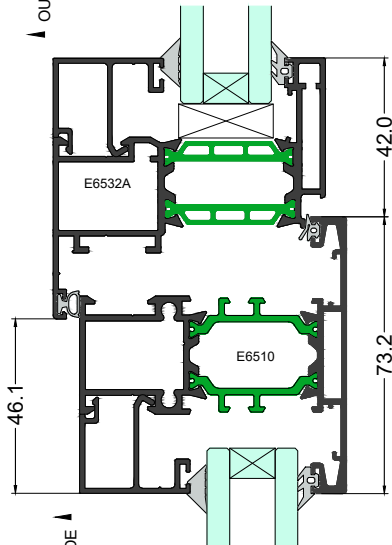


Plan Section 4-4

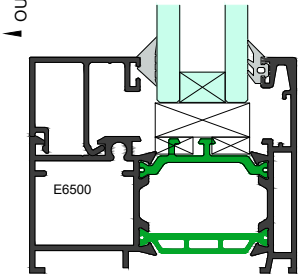
Layouts



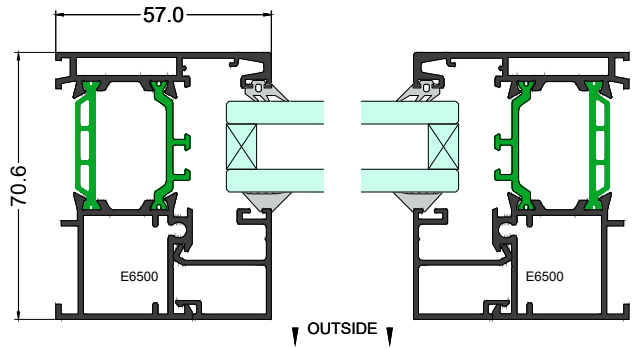
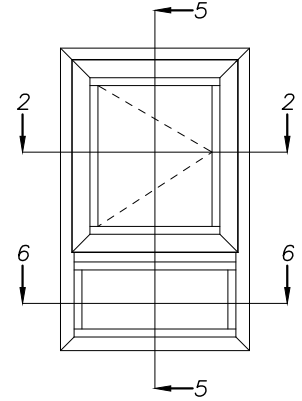
OUTSIDE ↑



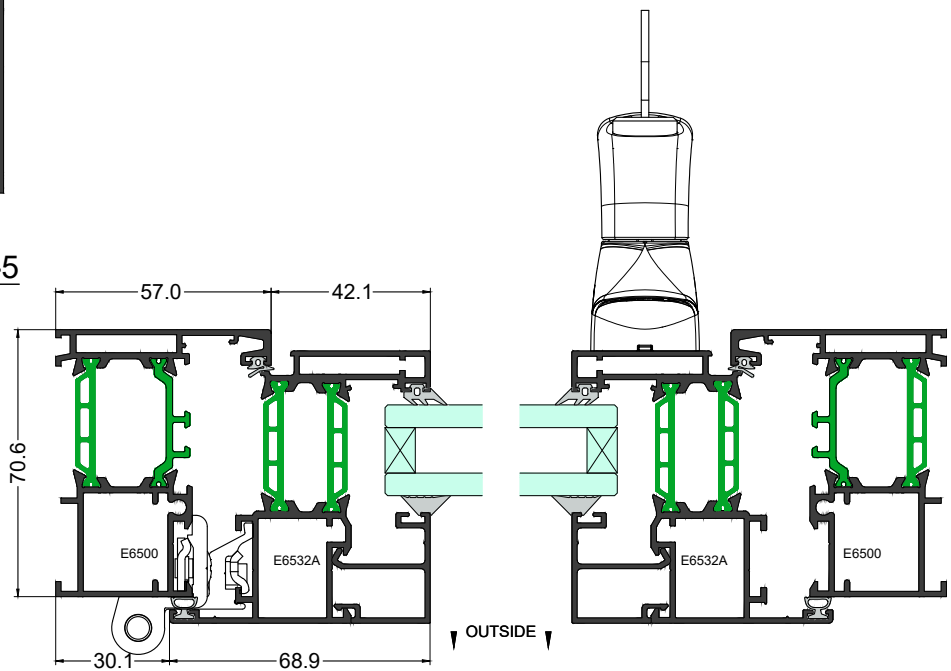
OUTSIDE ↑



Elevation Section 5-5

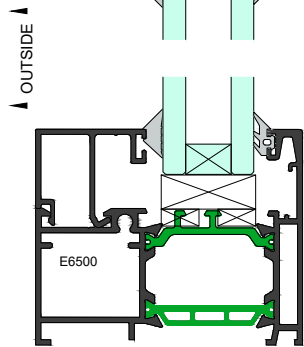
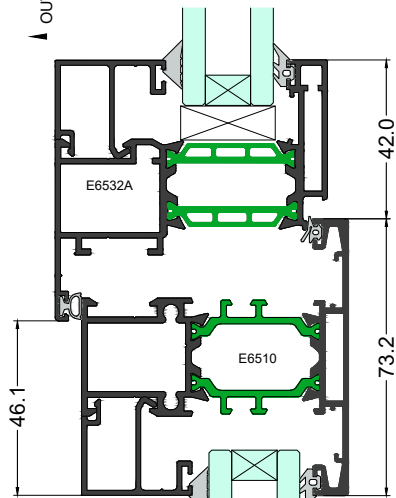
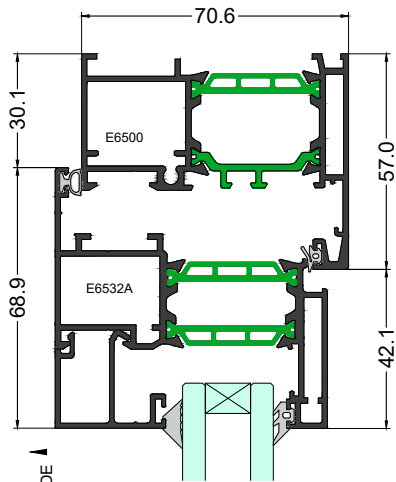


Plan Section 6-6

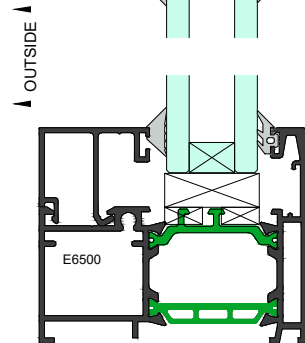
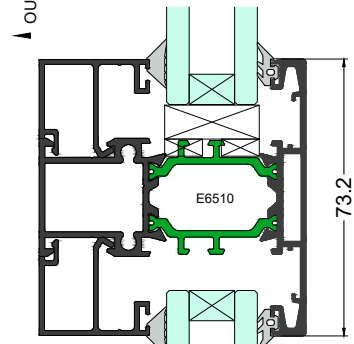
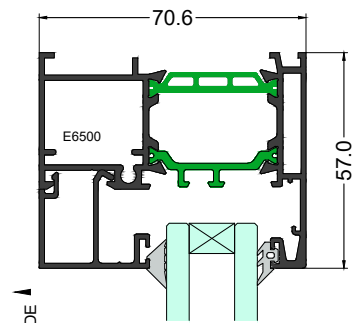
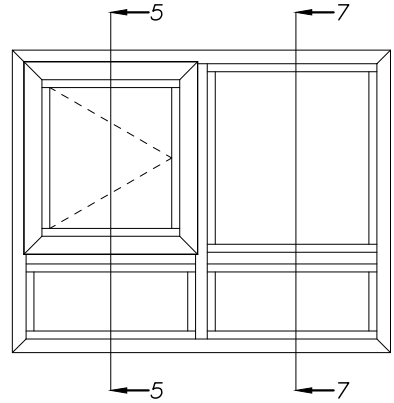


Plan Section 2-2

Layouts

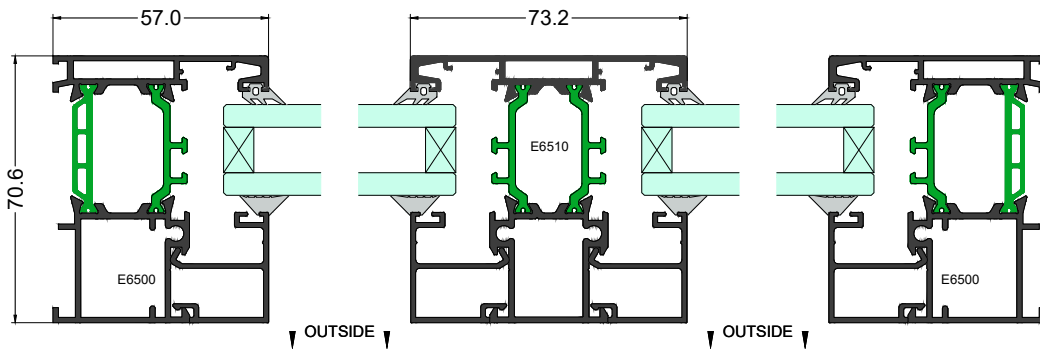
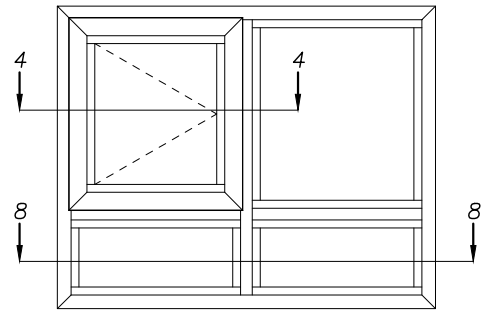


Elevation Section 5-5

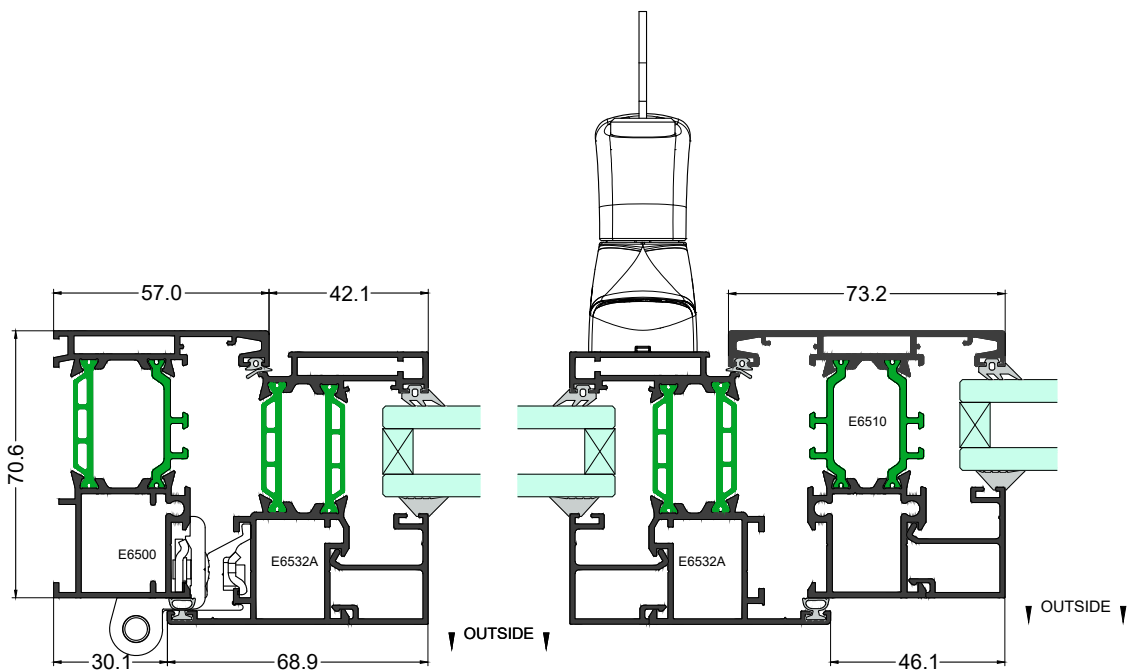


Elevation Section 7-7

Layouts

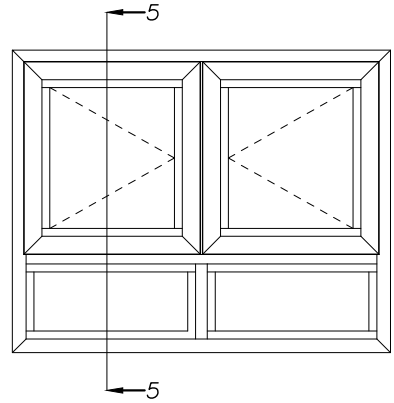
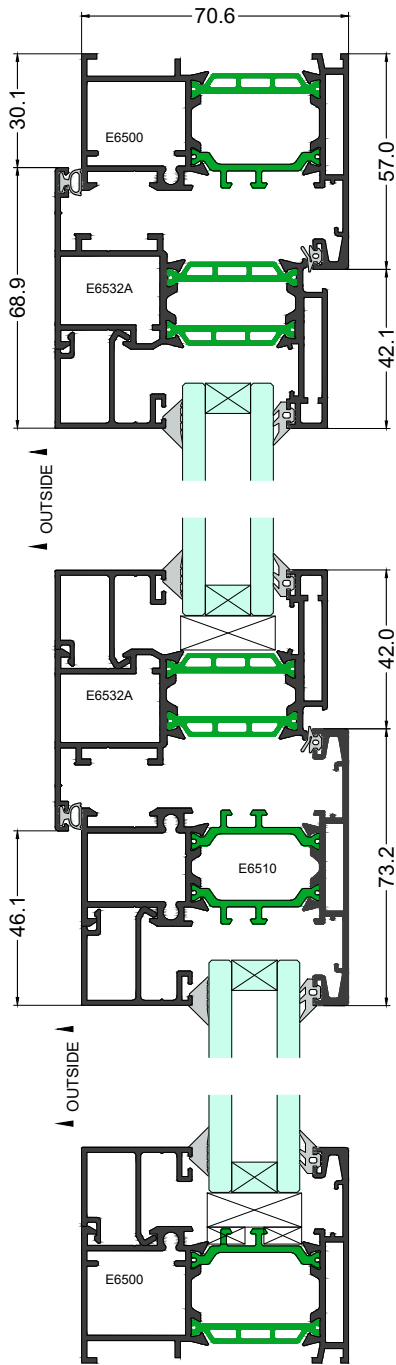


Plan Section 8-8



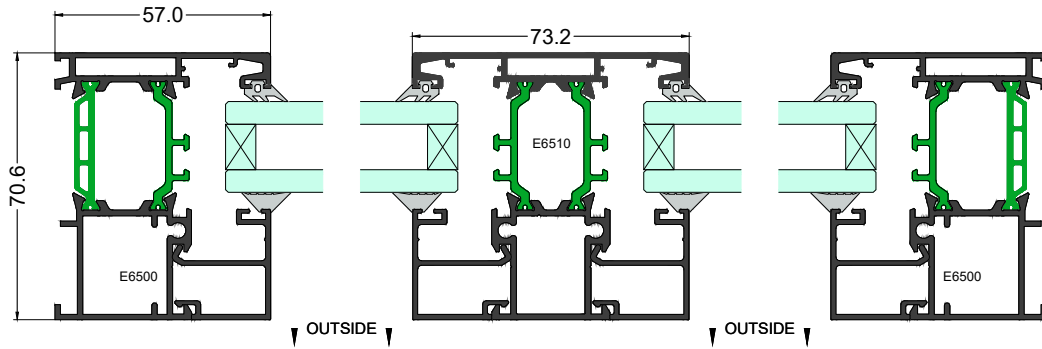
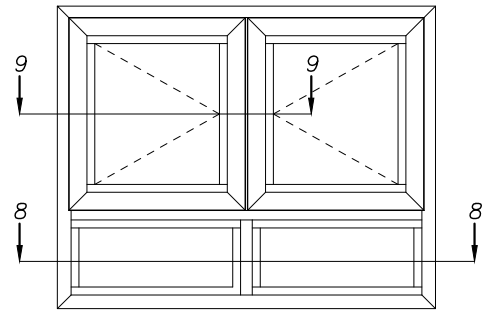
Plan Section 4-4

Layouts

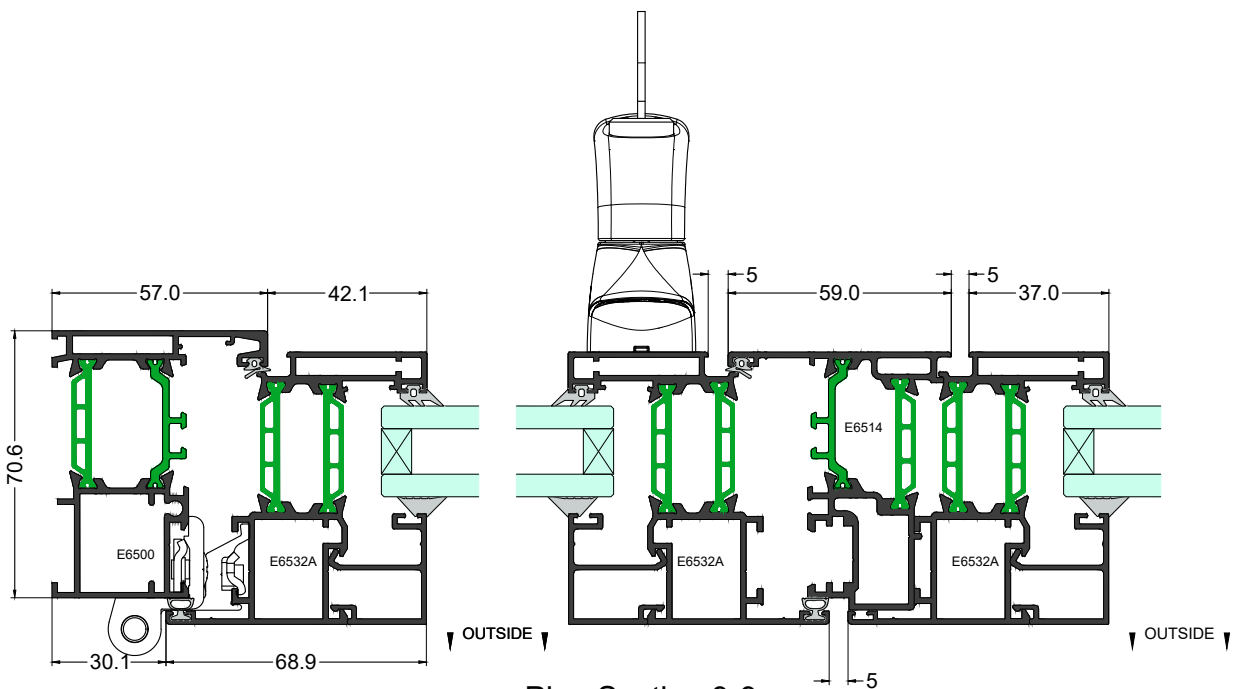


Elevation Section 5-5

Layouts

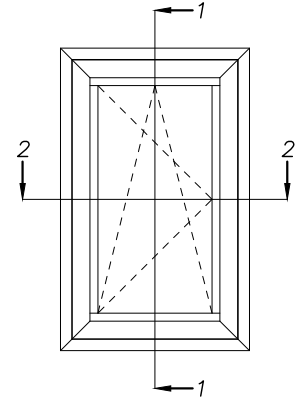
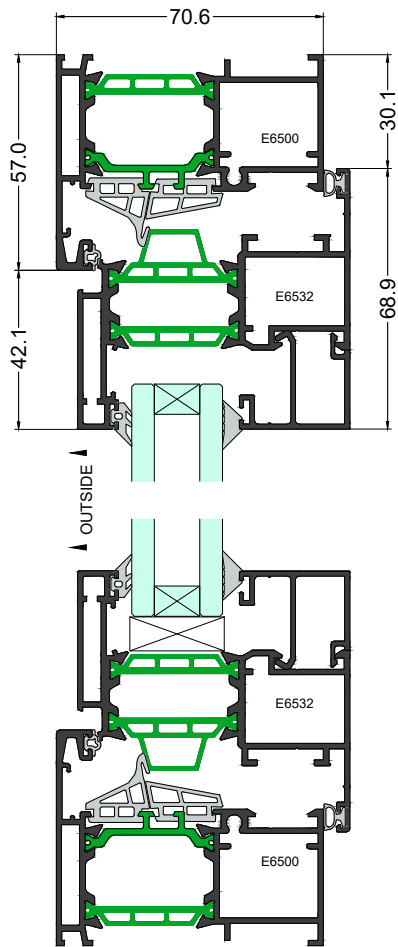


Plan Section 8-8

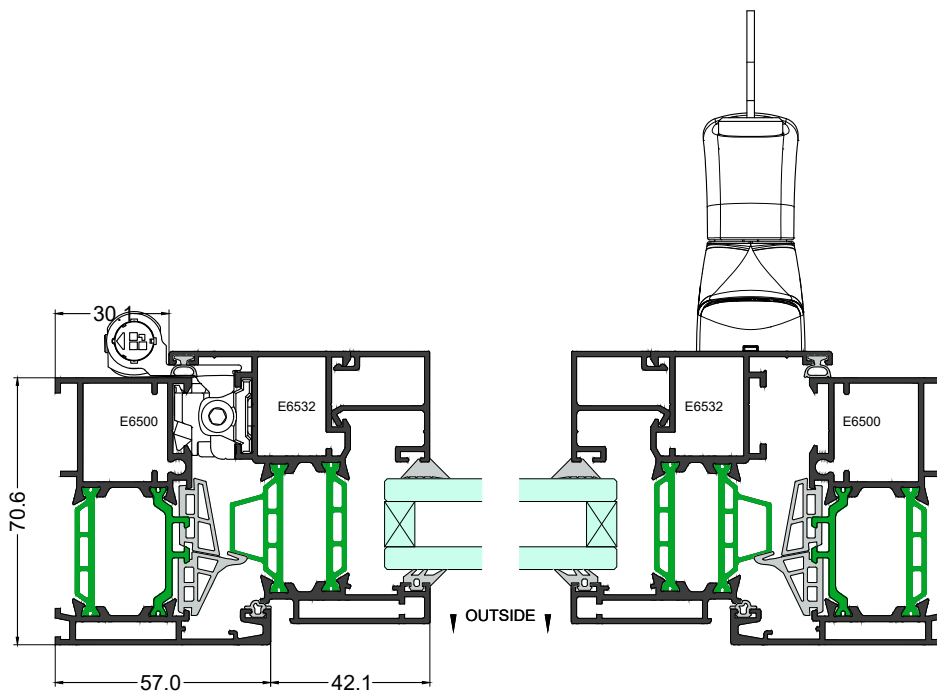


Plan Section 9-9

Layouts

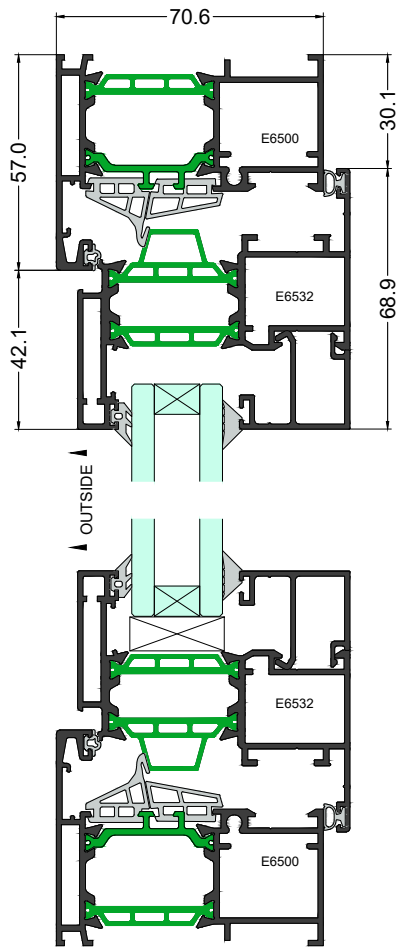


Elevation Section 1-1

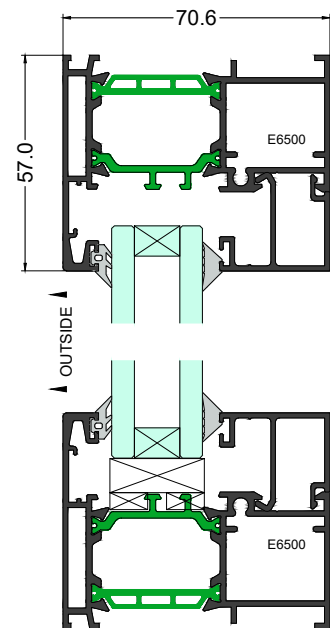
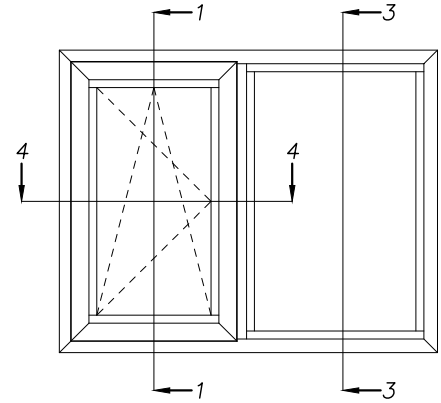


Plan Section 2-2

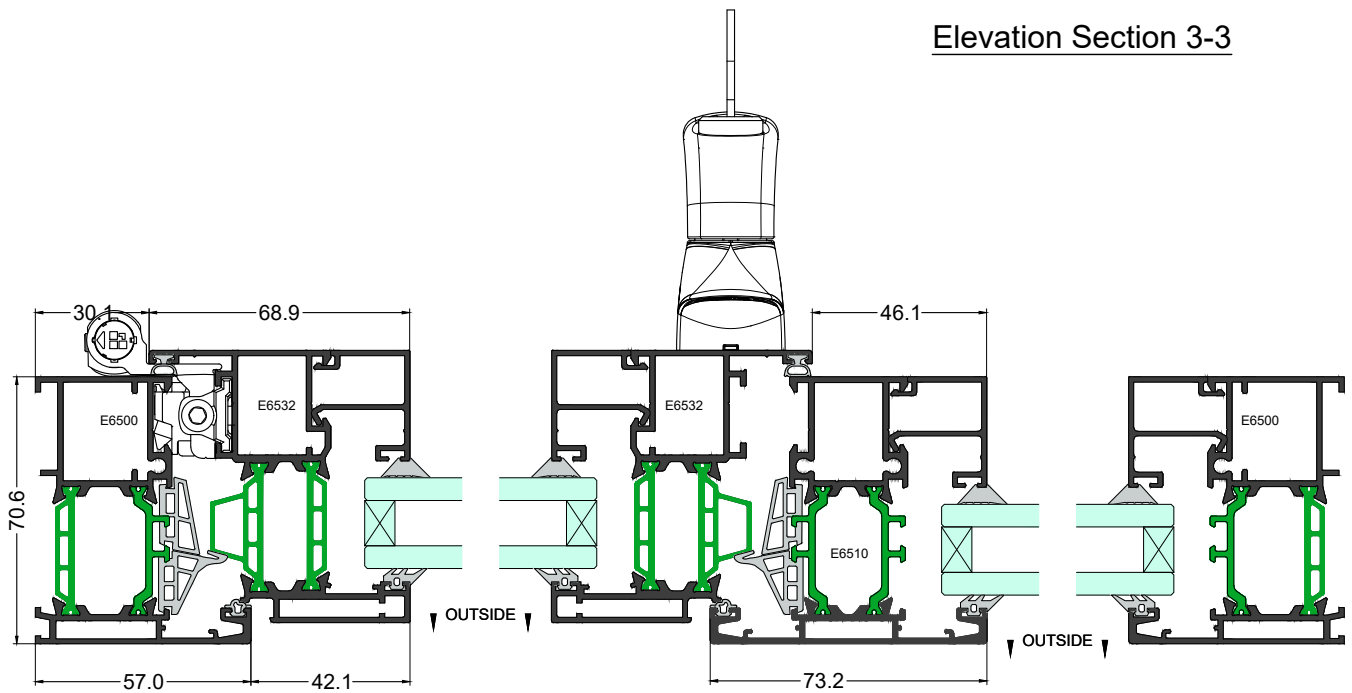
Layouts



Elevation Section 1-1

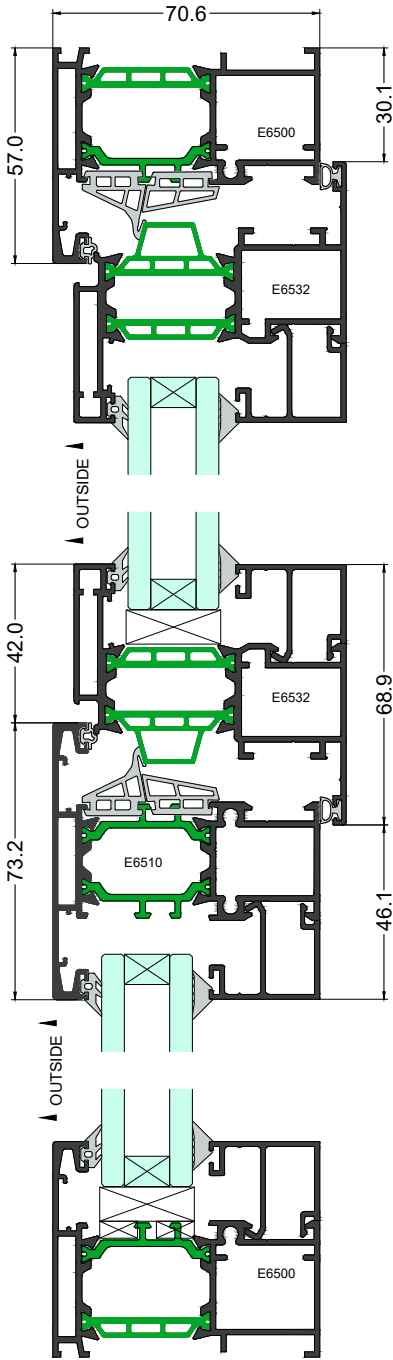


Elevation Section 3-3

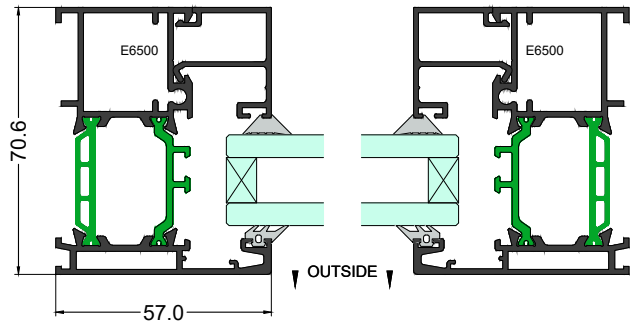
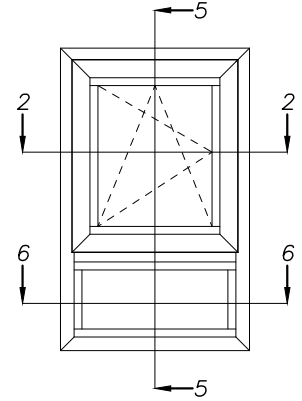


Plan Section 4-4

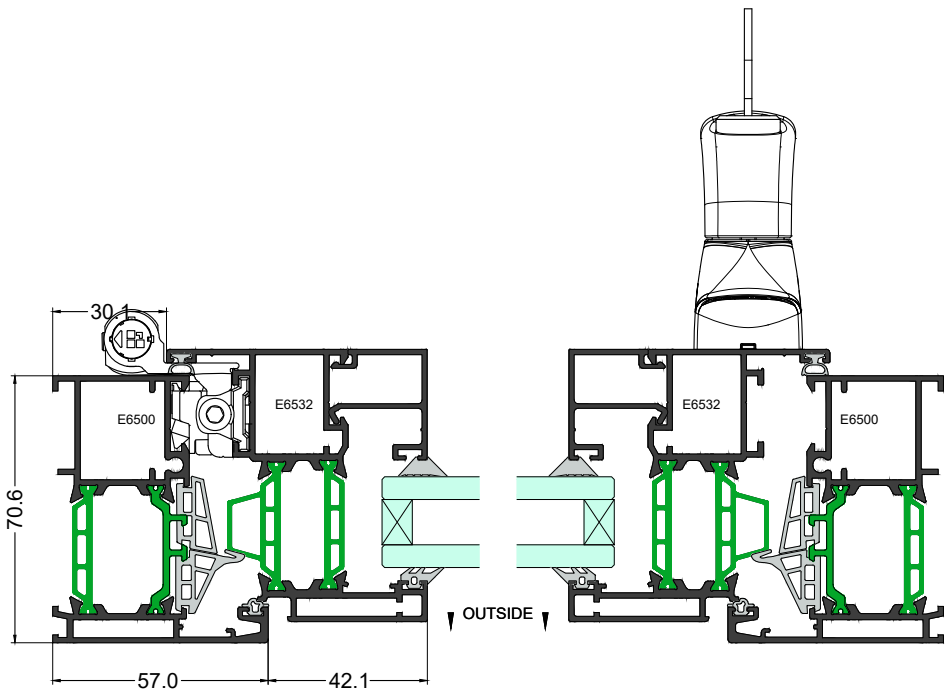
Layouts



Elevation Section 5-5

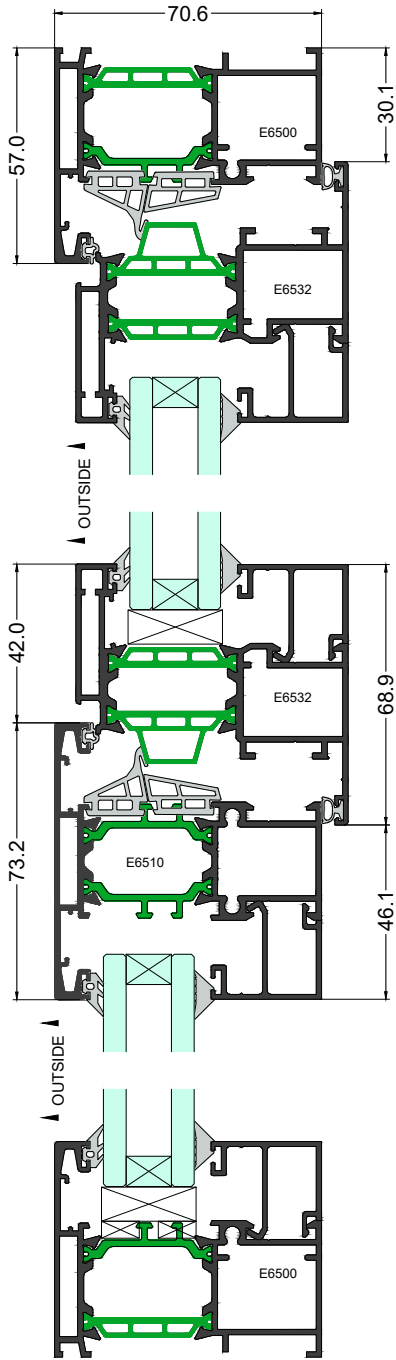


Plan Section 6-6

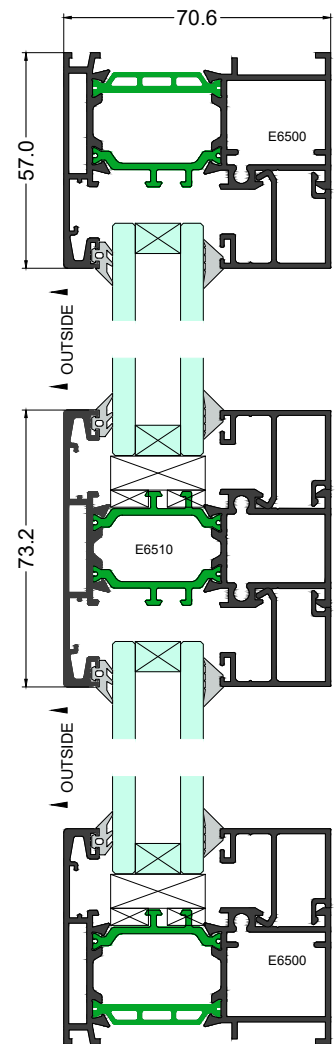
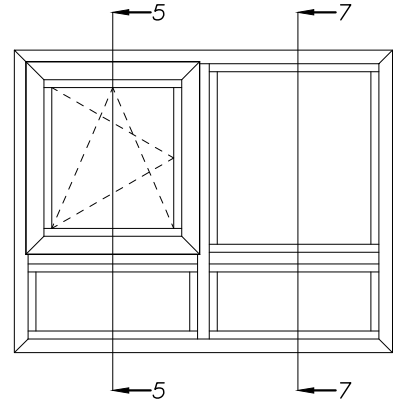


Plan Section 2-2

Layouts

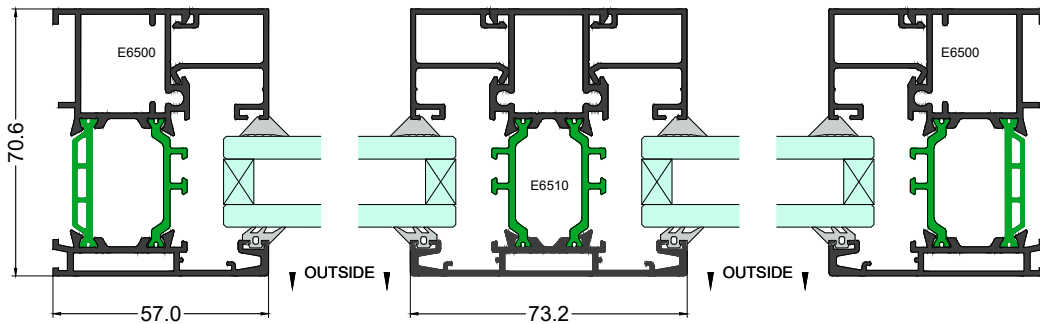
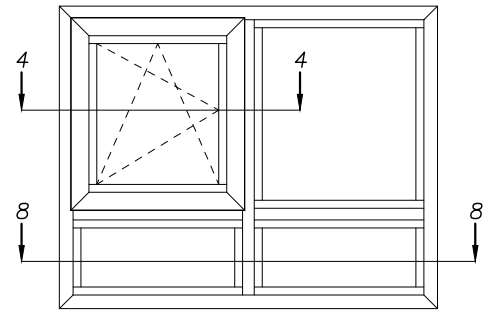


Elevation Section 5-5

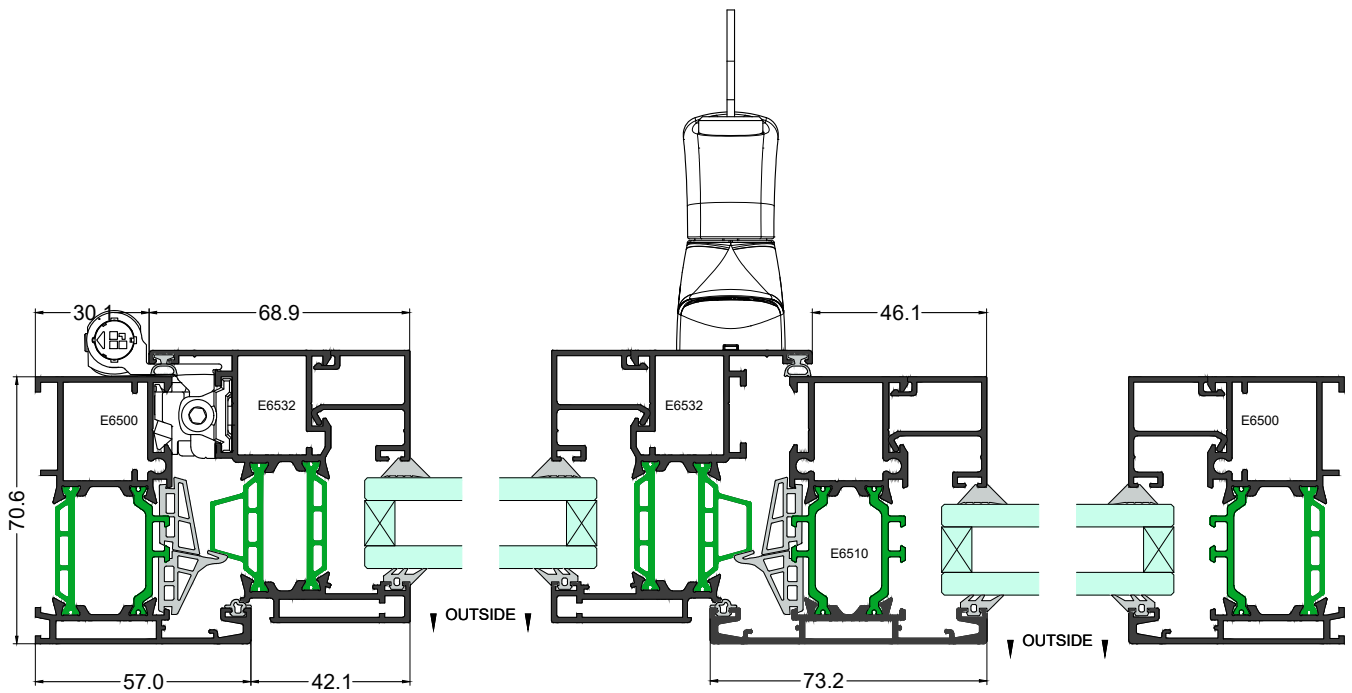


Elevation Section 7-7

Layouts

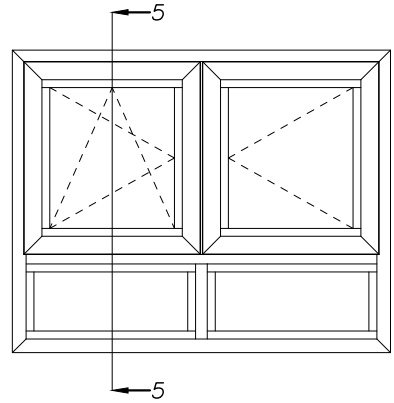
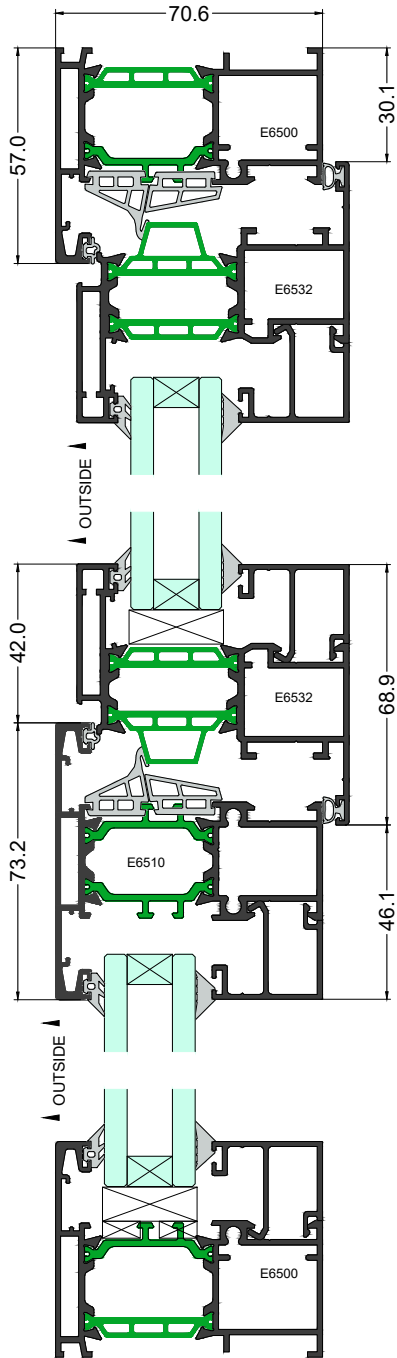


Plan Section 8-8



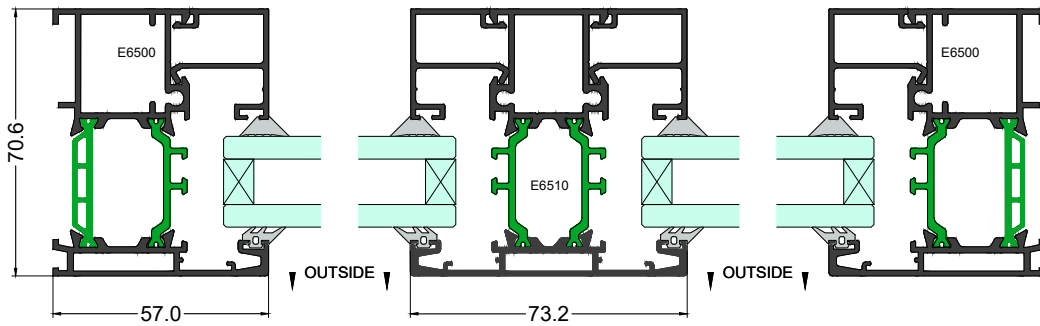
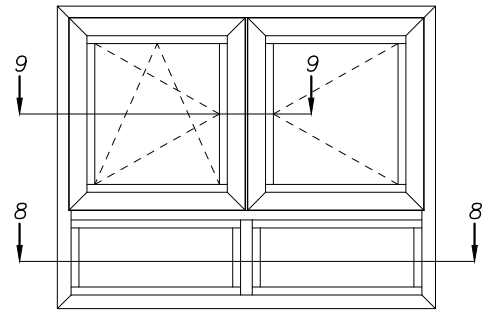
Plan Section 4-4

Layouts

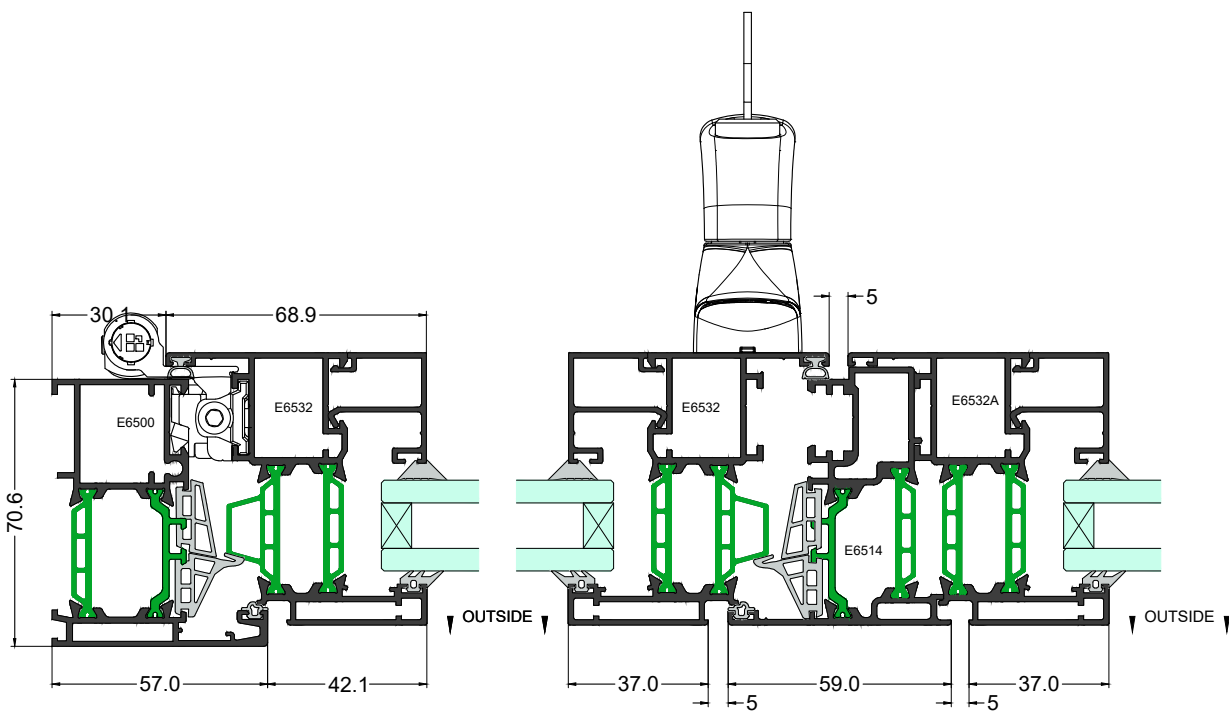


Elevation Section 5-5

Layouts



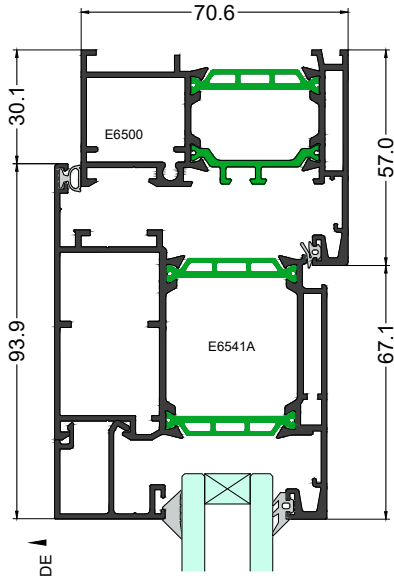
Plan Section 8-8



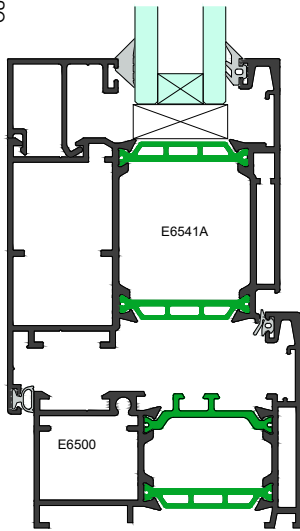
Plan Section 9-9

Layouts

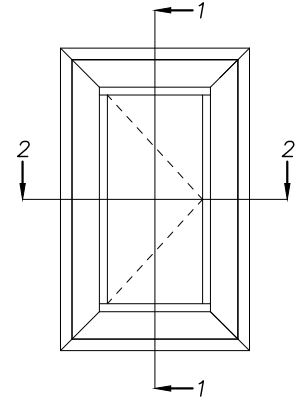
(OPEN OUT)



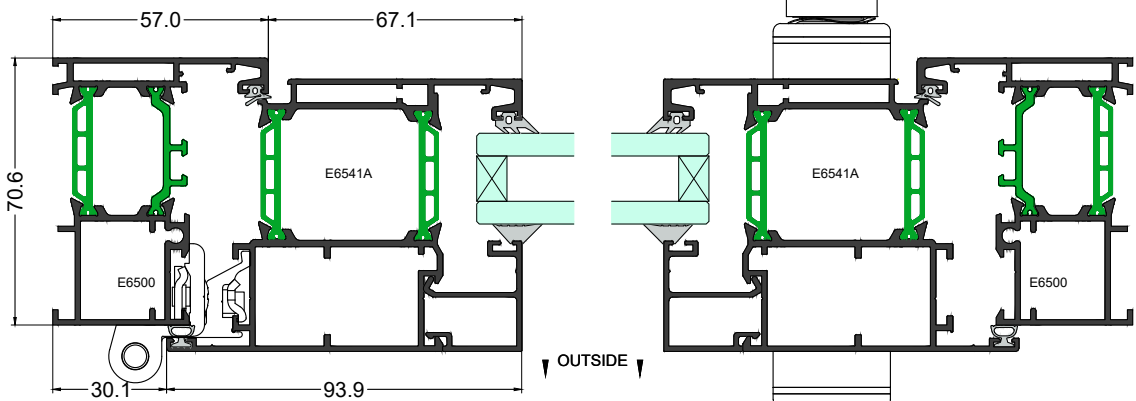
↑ OUTSIDE



Elevation Section 1-1



OUTWARD OPEN



↓ OUTSIDE ↓

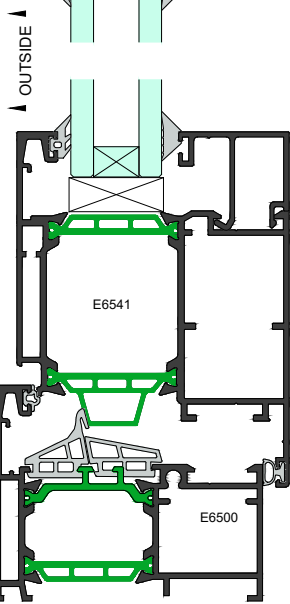
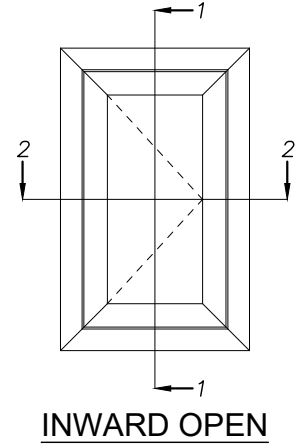
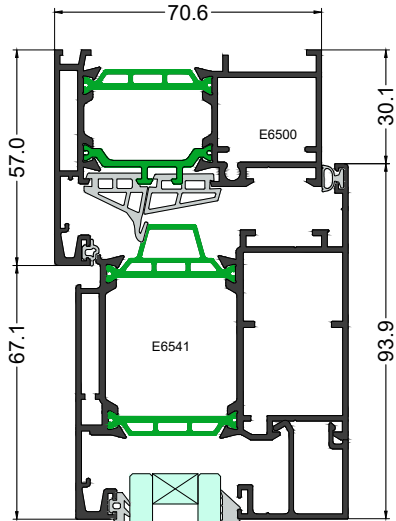
Plan Section 2-2

EC65TB

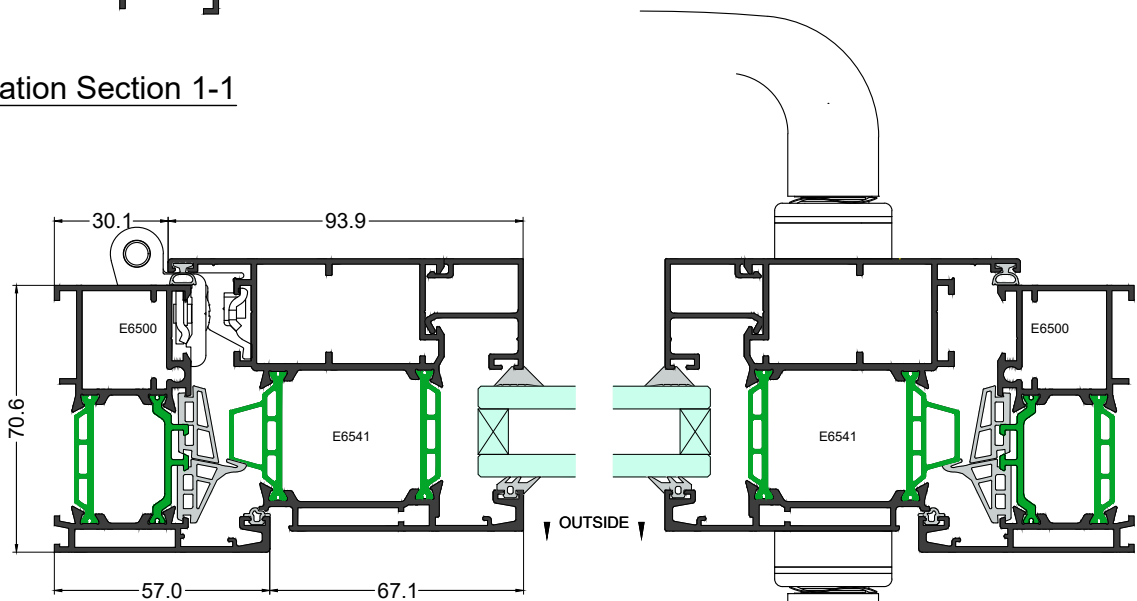
HINGED DOOR

Layouts

(OPEN IN)



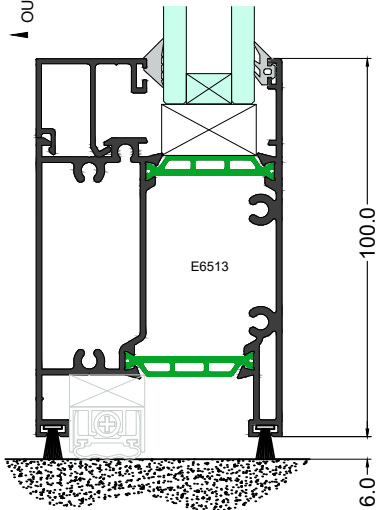
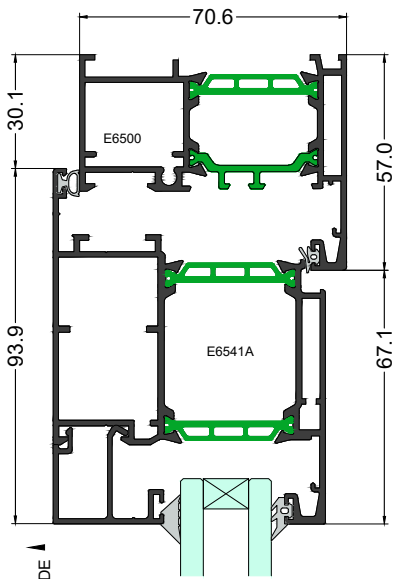
Elevation Section 1-1



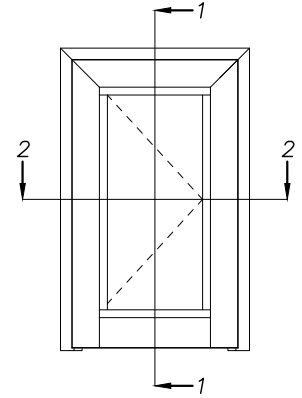
Plan Section 2-2

Layouts

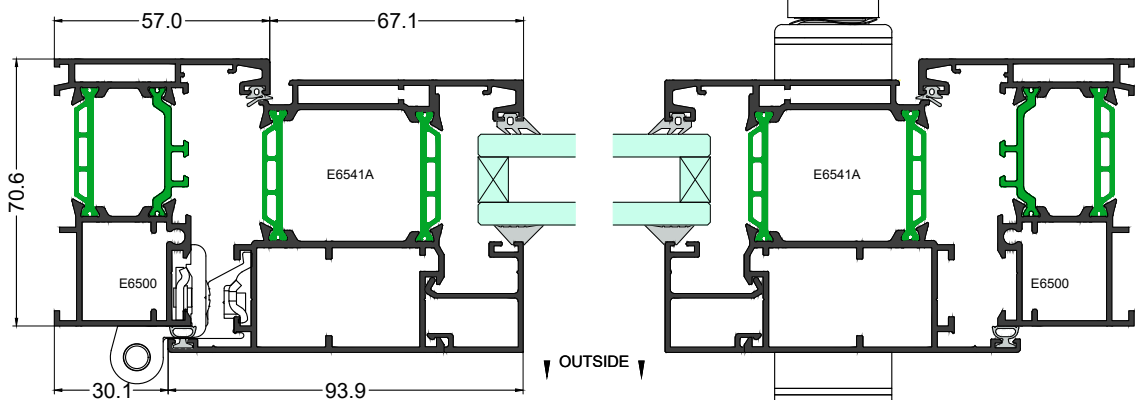
(OPEN OUT)



Elevation Section 1-1



OUTWARD OPEN



Plan Section 2-2

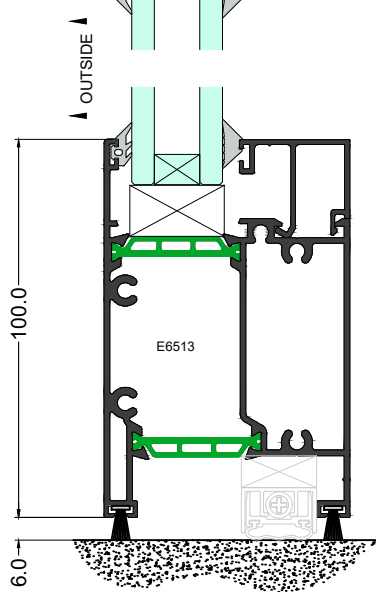
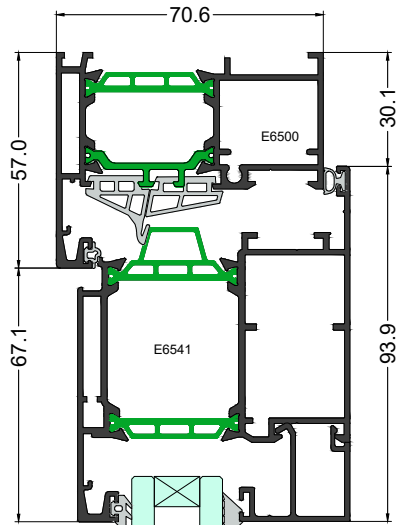
EC65TB

HINGED DOOR

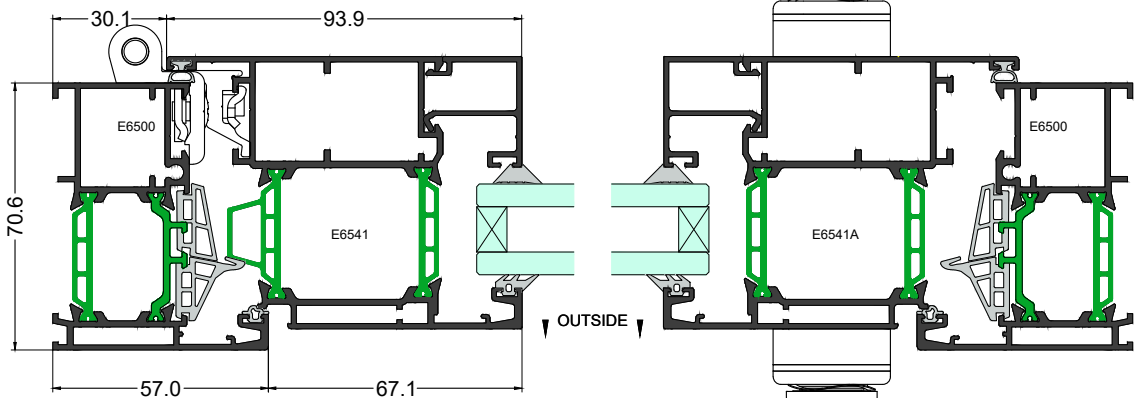
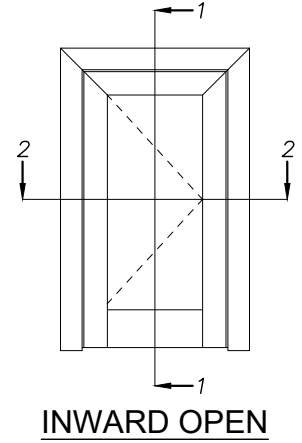
THERMECO™

Layouts

(OPEN IN)



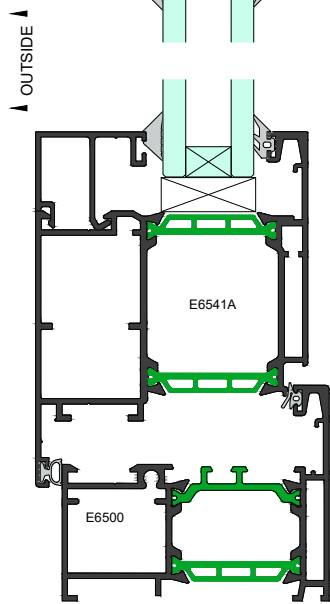
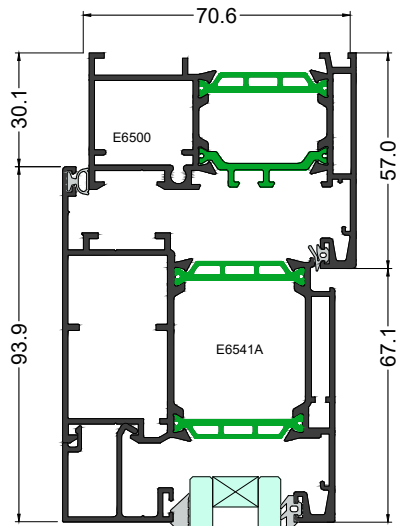
Elevation Section 1-1



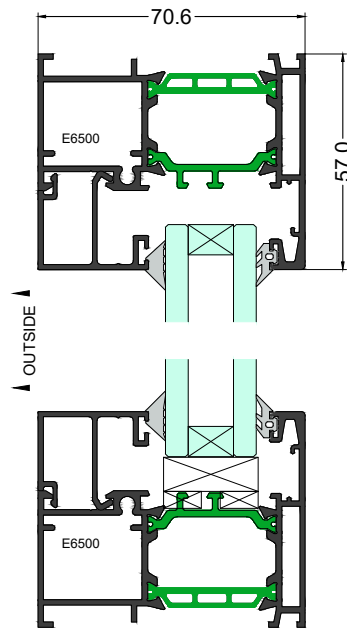
Plan Section 2-2

Layouts

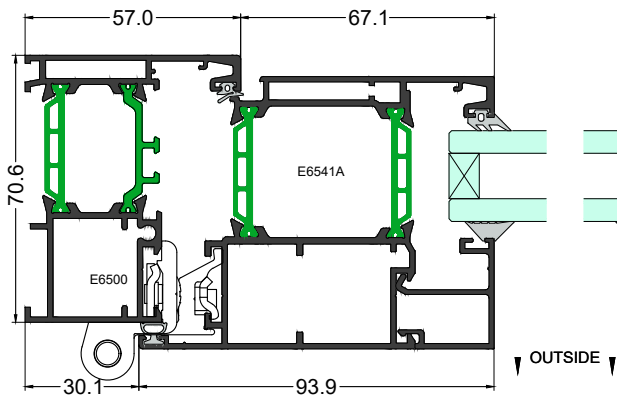
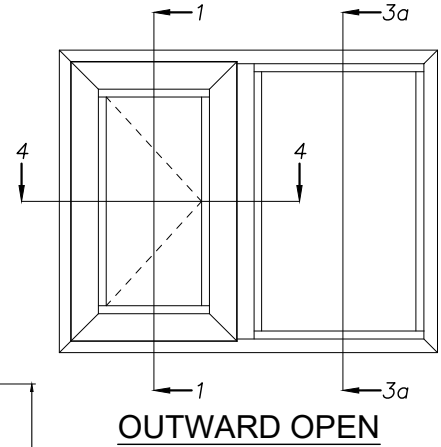
(OPEN OUT)



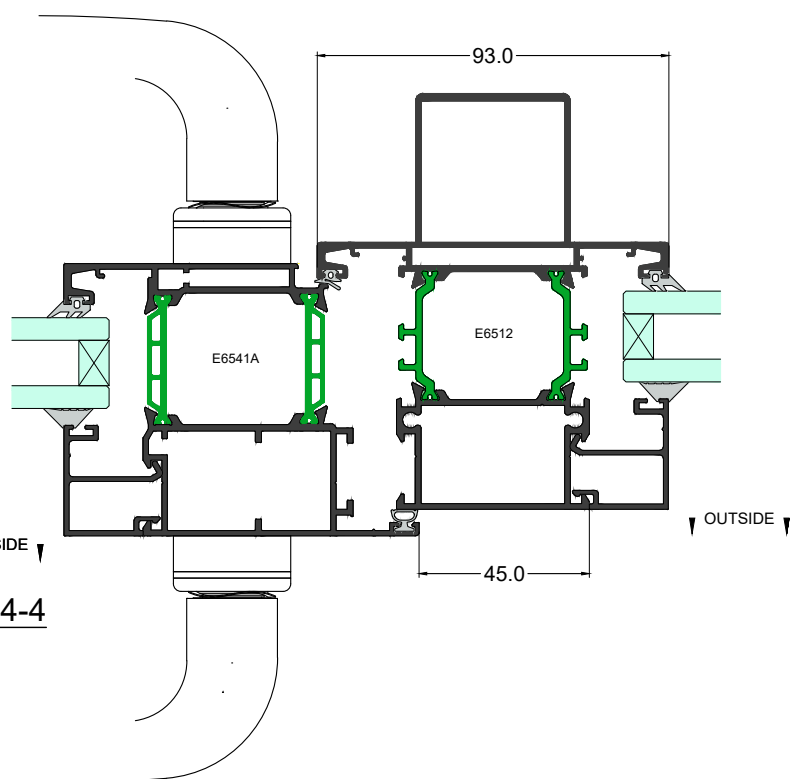
Elevation Section 1-1



Elevation Section 3a-3a

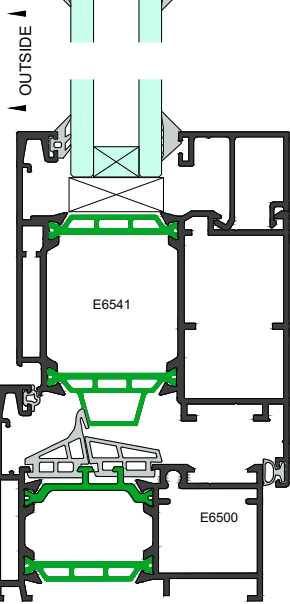
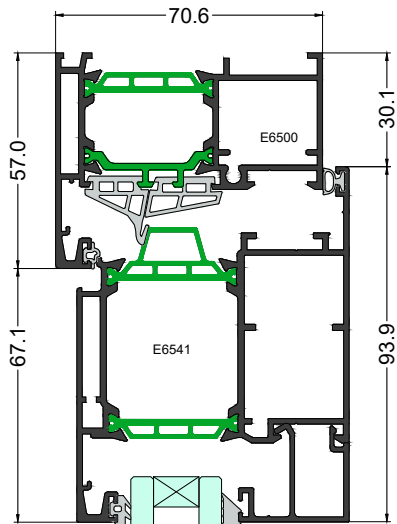


Plan Section 4-4

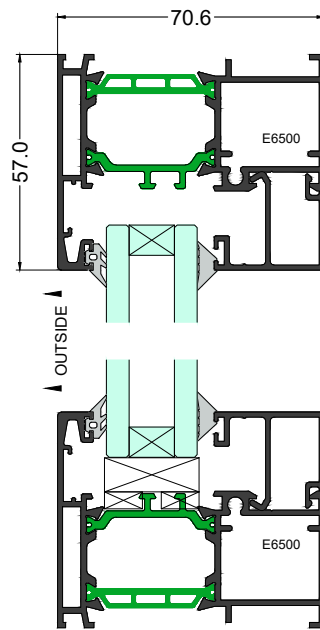


Layouts

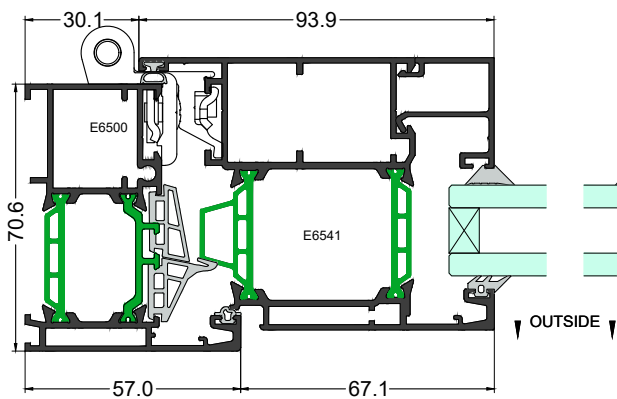
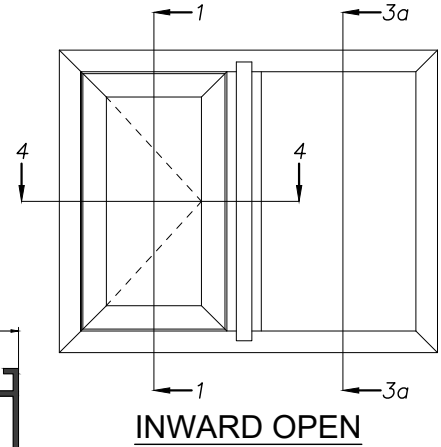
(OPEN IN)



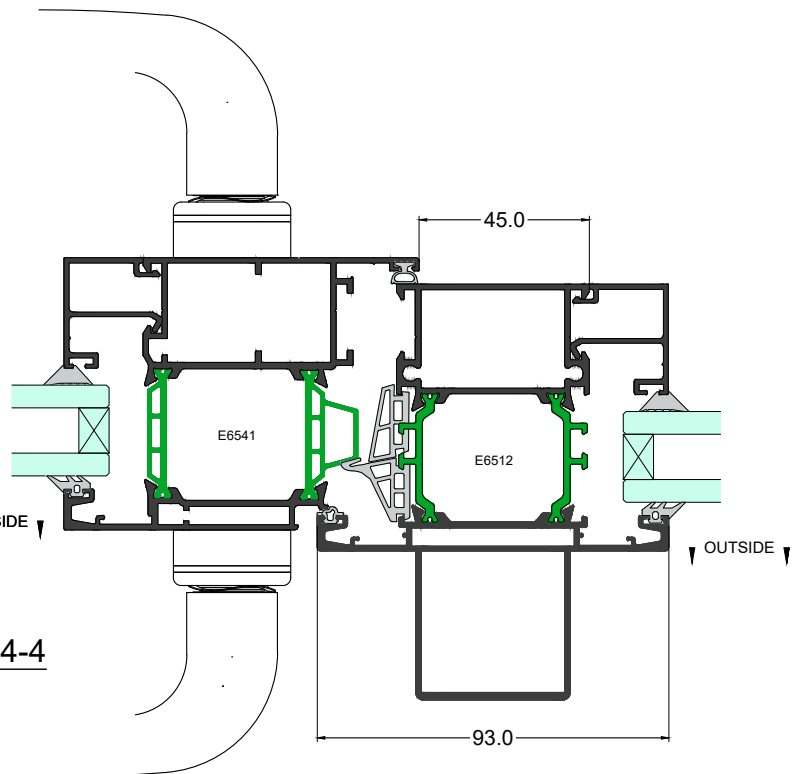
Elevation Section 1-1



Elevation Section 3a-3a

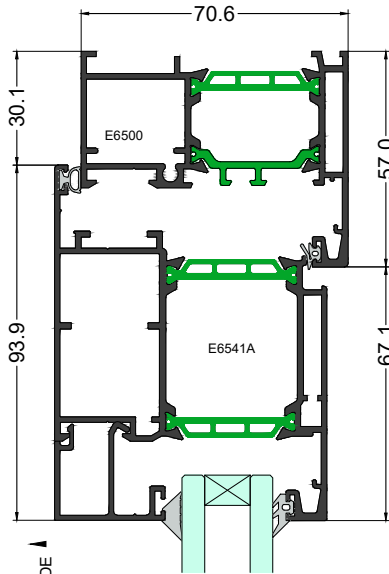


Plan Section 4-4

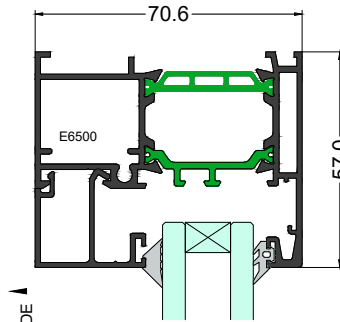


Layouts

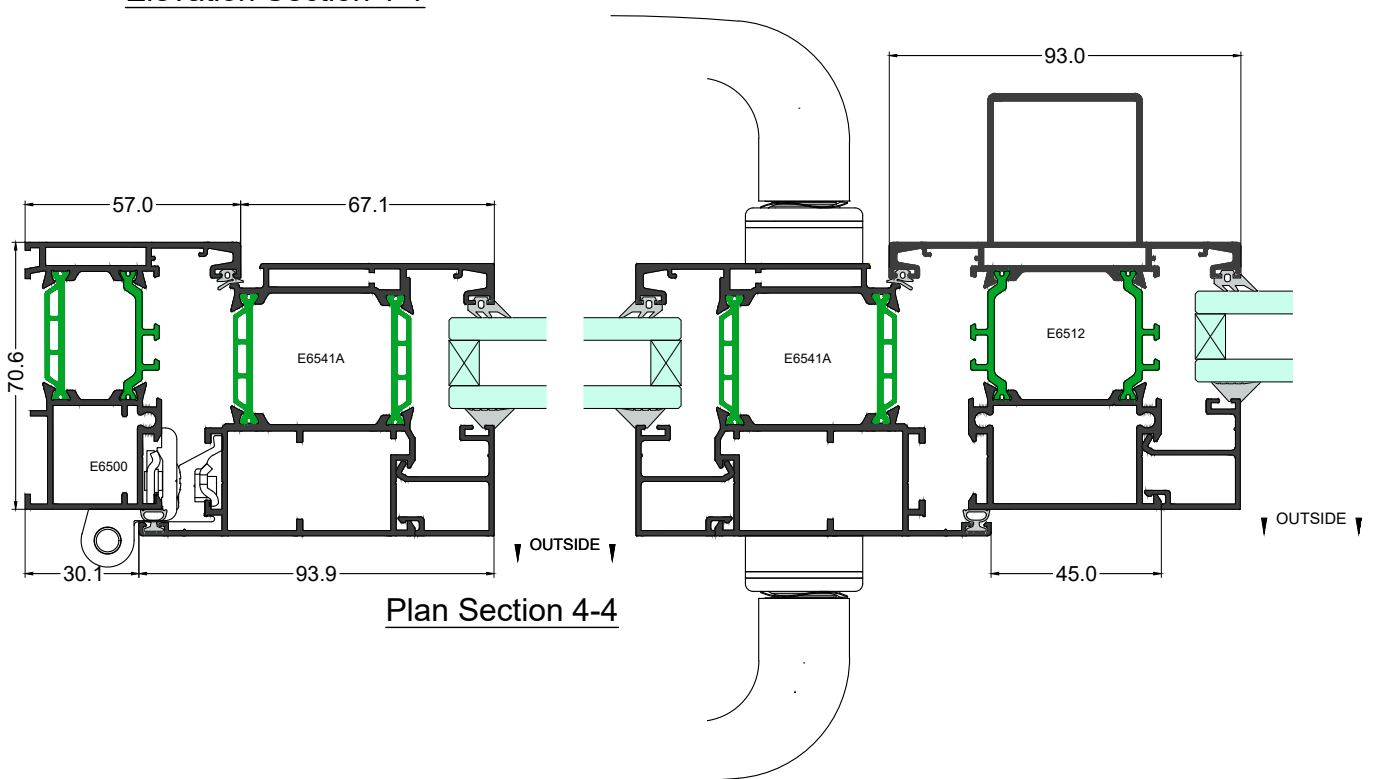
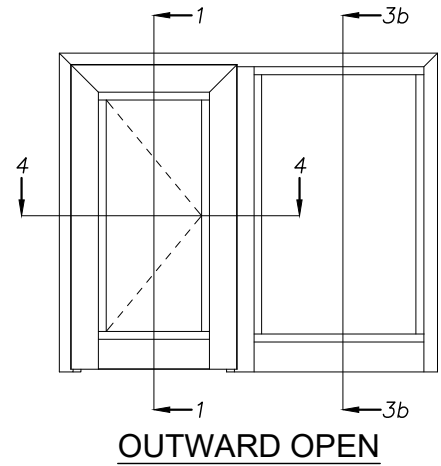
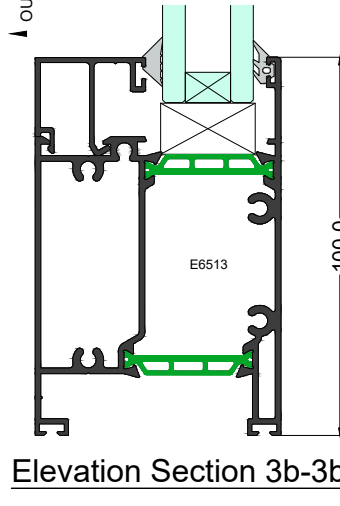
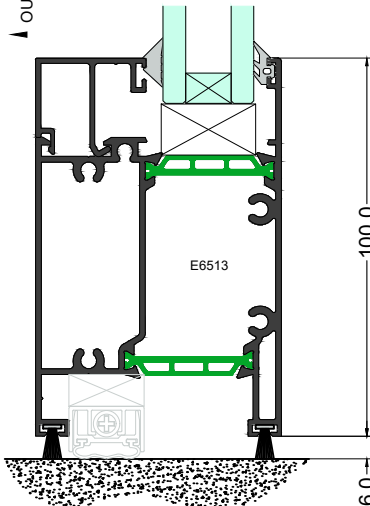
(OPEN OUT)



Elevation Section 1-1



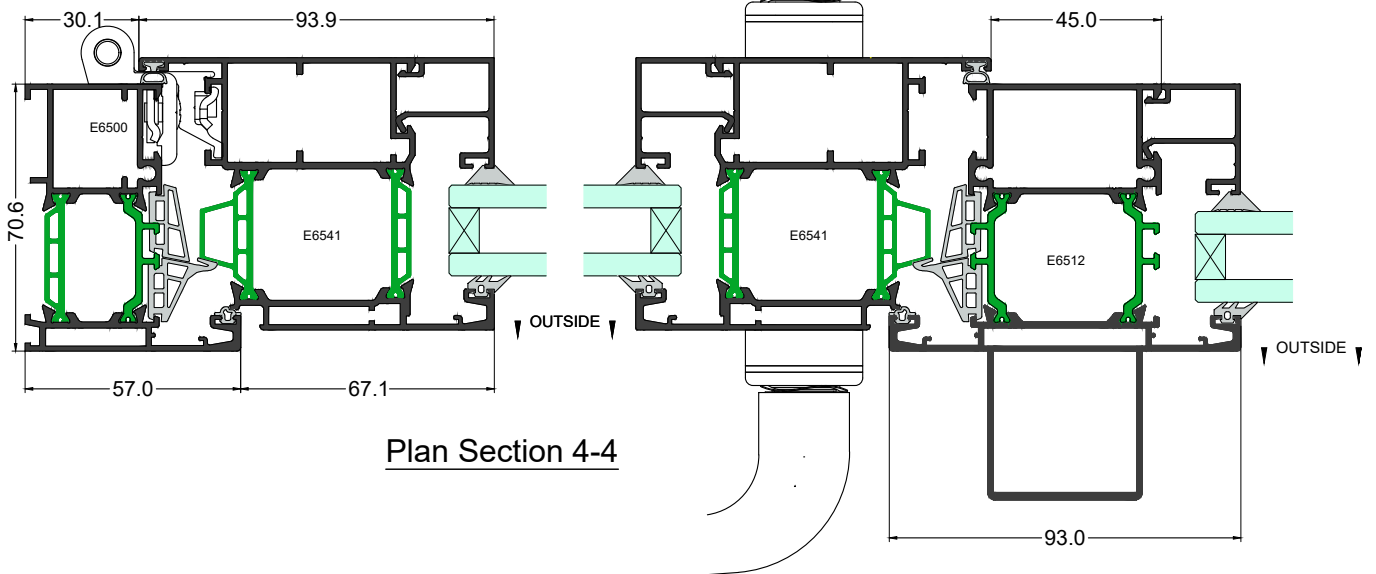
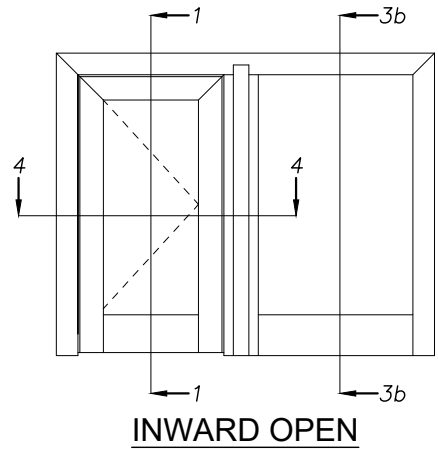
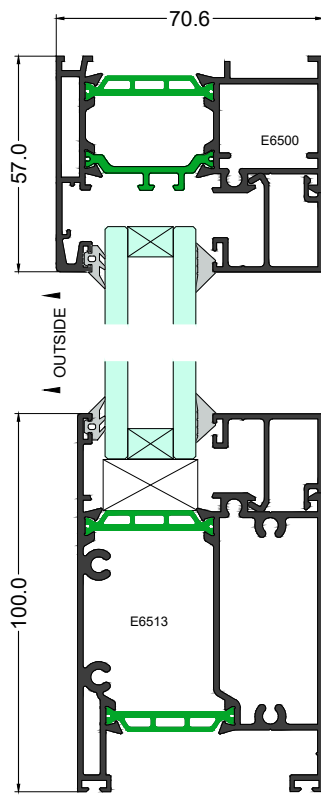
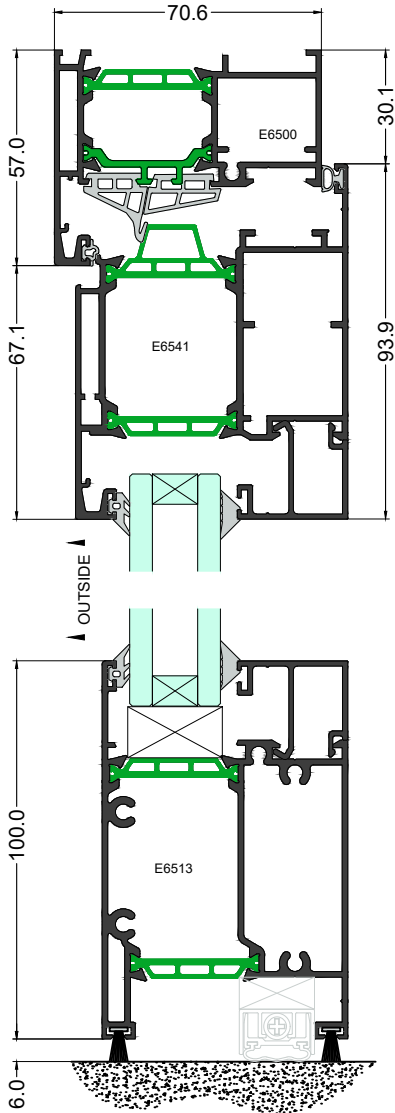
Elevation Section 3b-3b

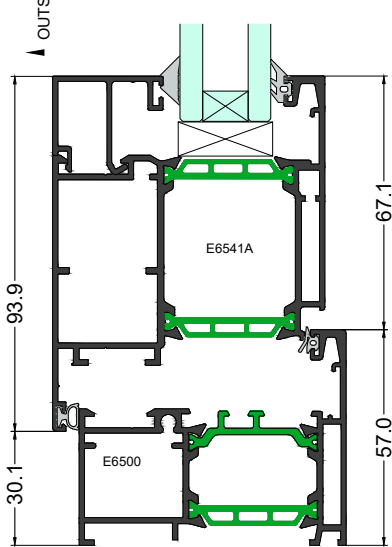
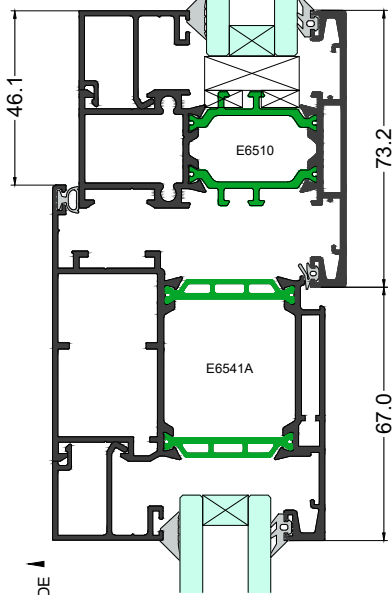
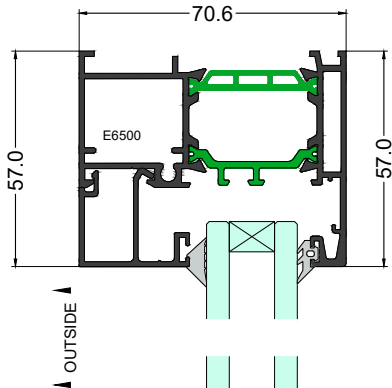


Plan Section 4-4

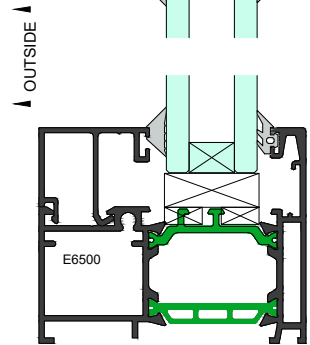
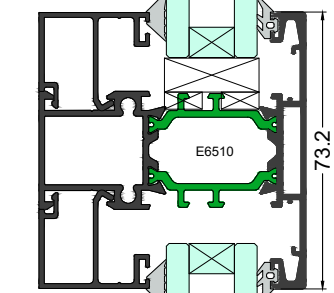
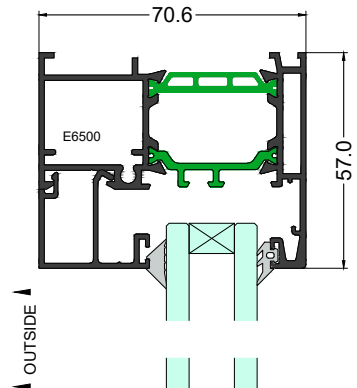
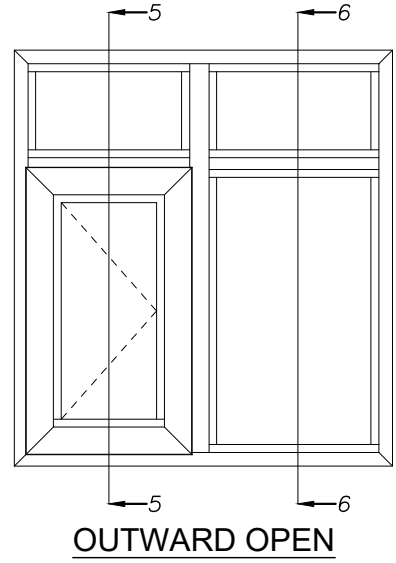
Layouts

(OPEN IN)





Elevation Section 5-5



Elevation Section 6-6

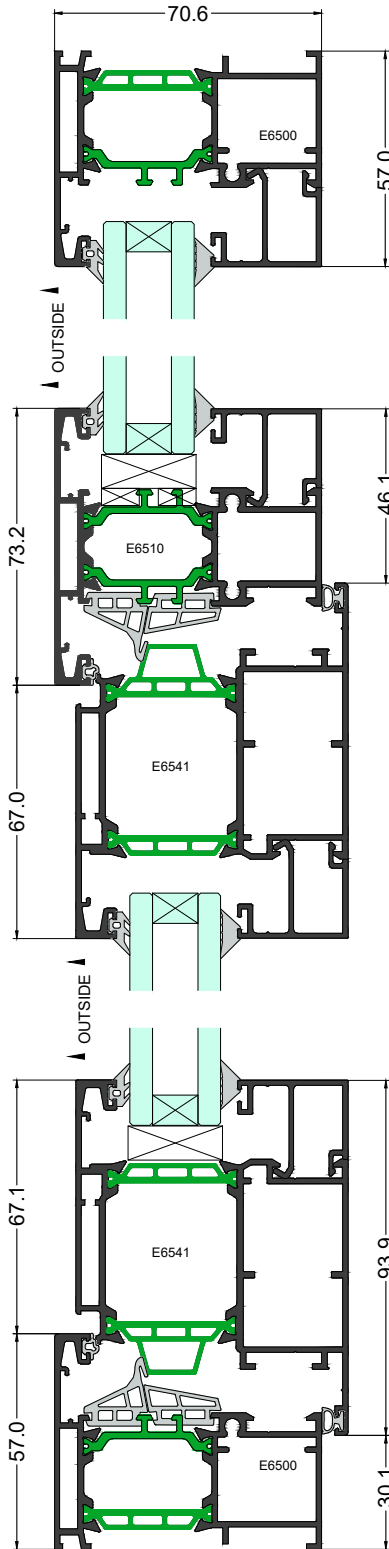
EC65TB

HINGED DOOR

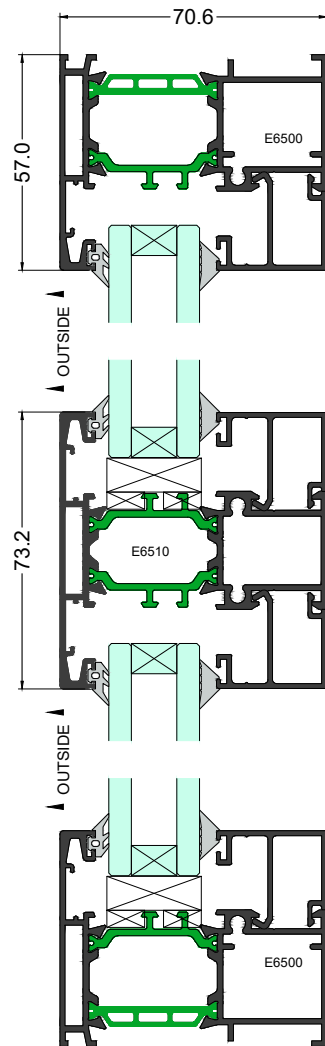
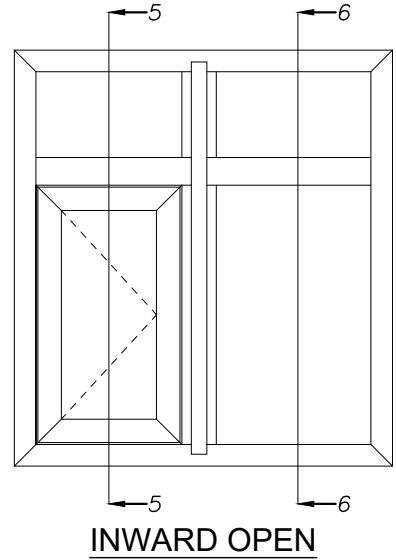
THERMECO™

Layouts

(OPEN IN)



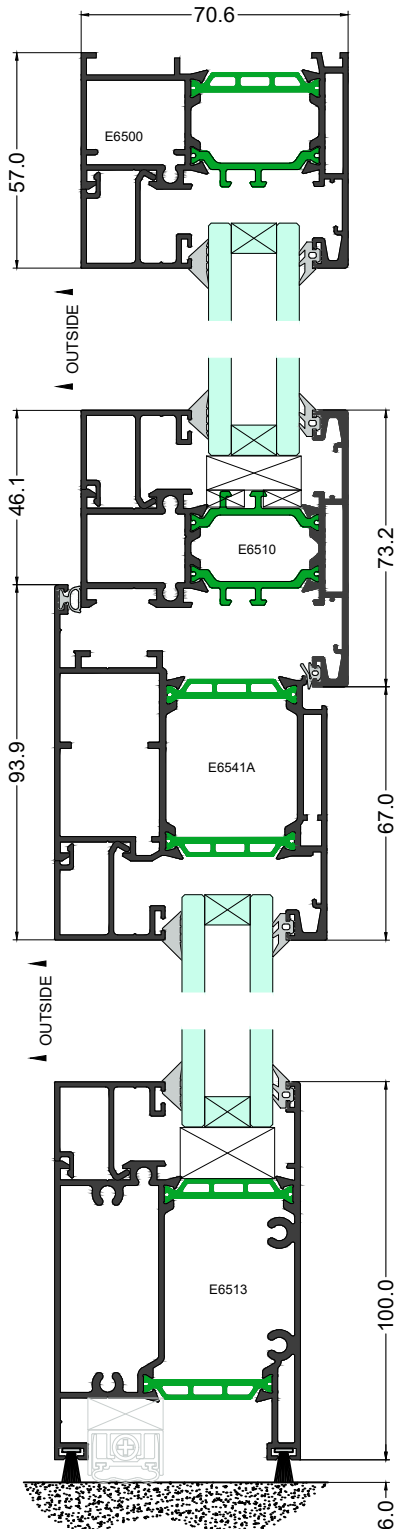
Elevation Section 5-5



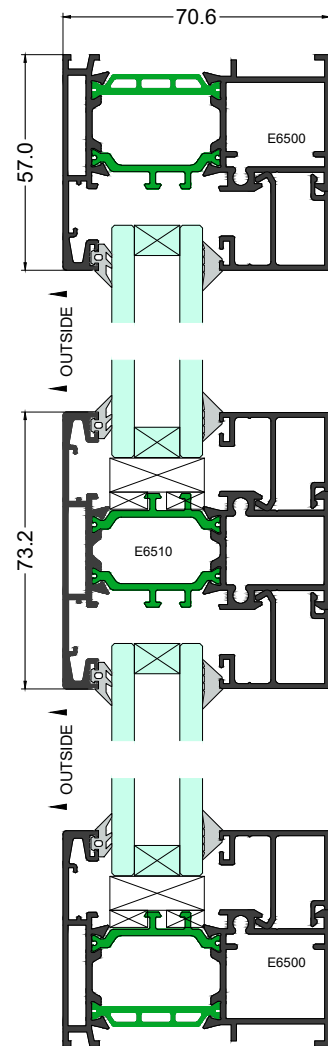
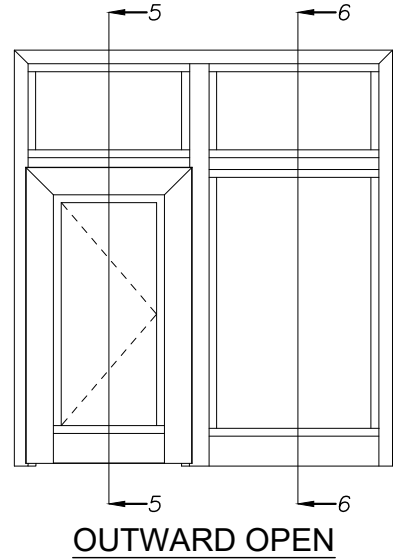
Elevation Section 6-6

Layouts

(OPEN OUT)



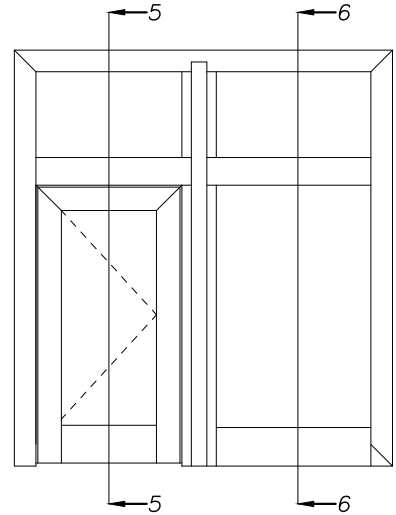
Elevation Section 5-5



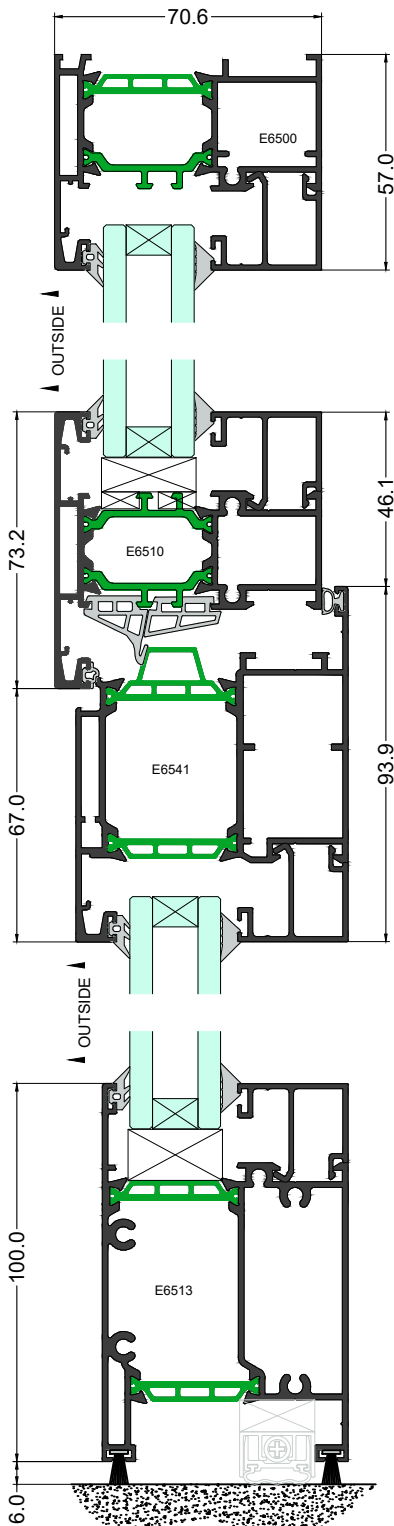
Elevation Section 6-6

Layouts

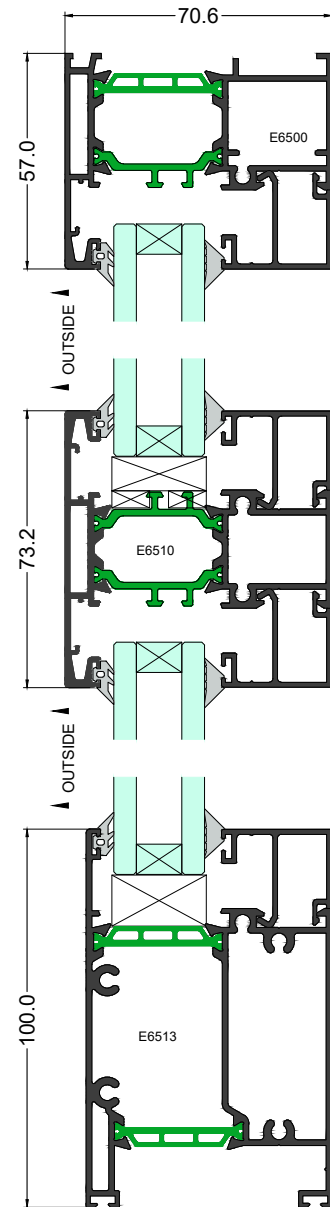
(OPEN IN)



INWARD OPEN



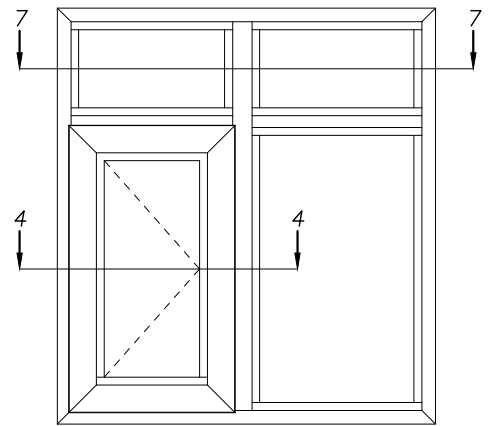
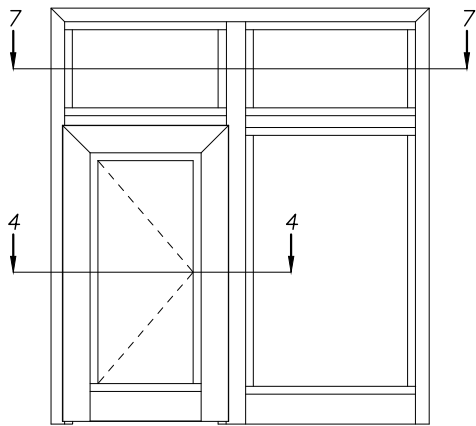
Elevation Section 5-5



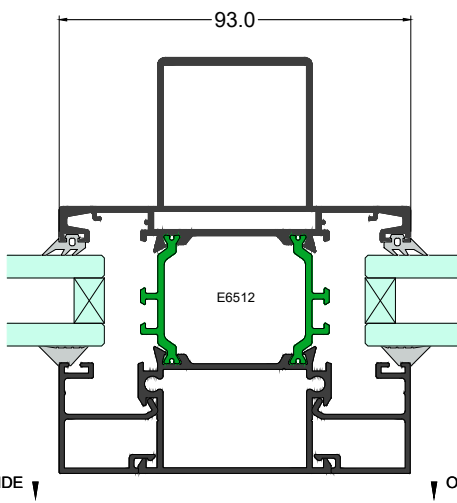
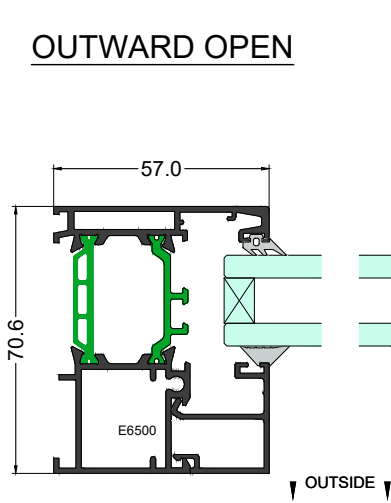
Elevation Section 6-6

Layouts

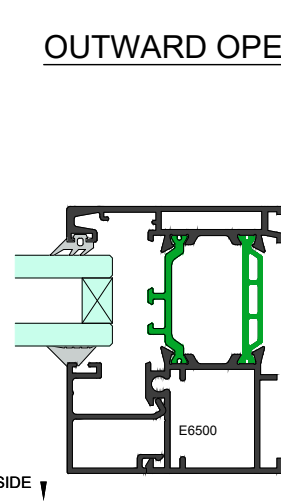
(OPEN OUT)



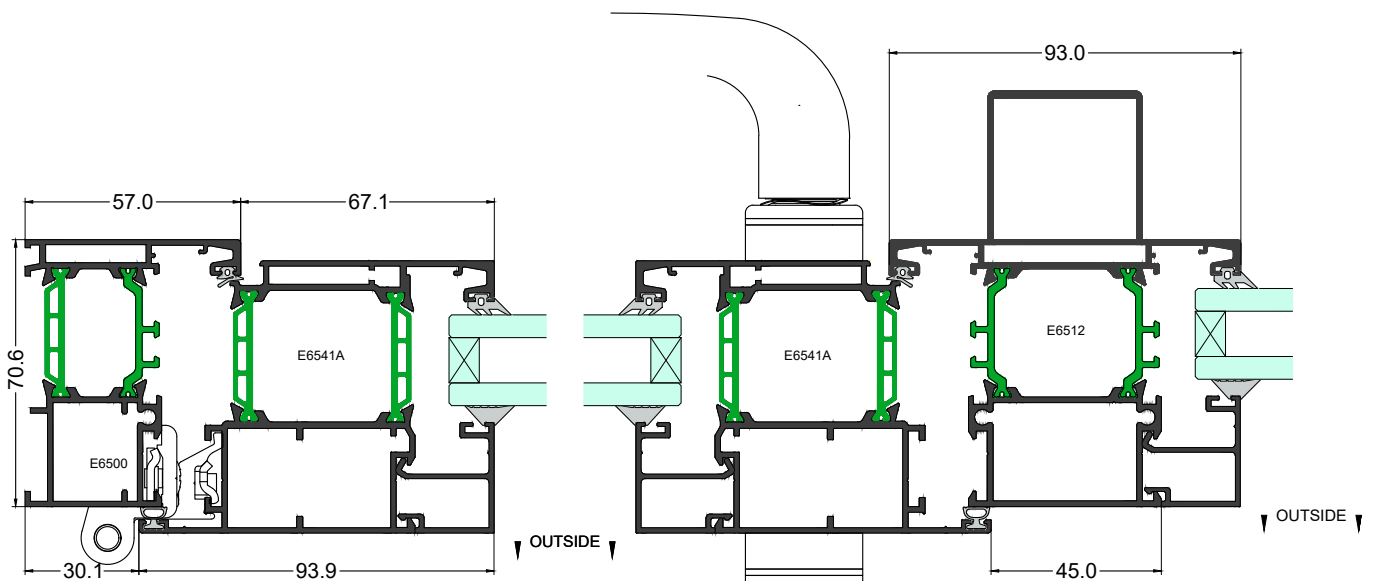
OUTWARD OPEN



OUTWARD OPEN



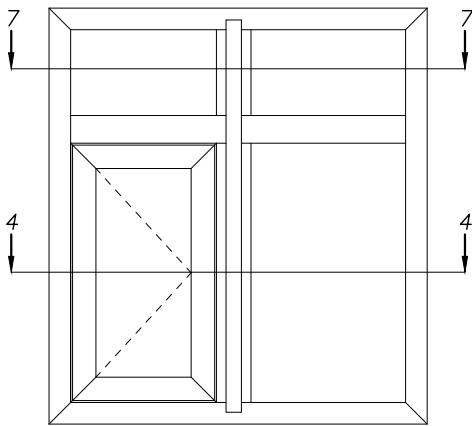
Plan Section 7-7



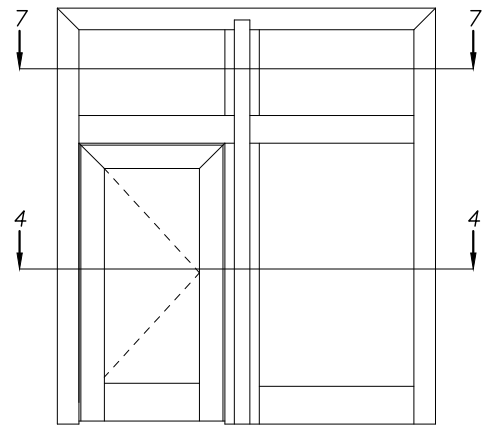
Plan Section 4-4

Layouts

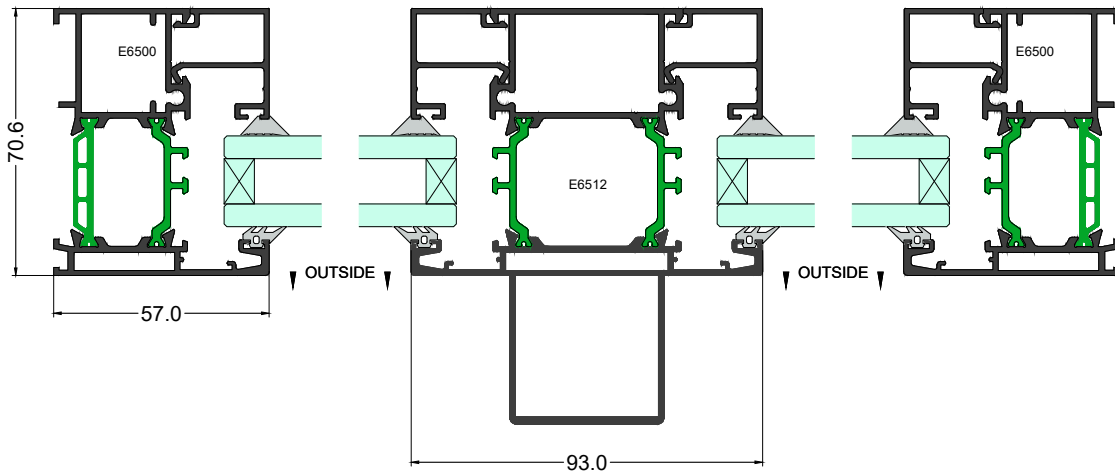
(OPEN IN)



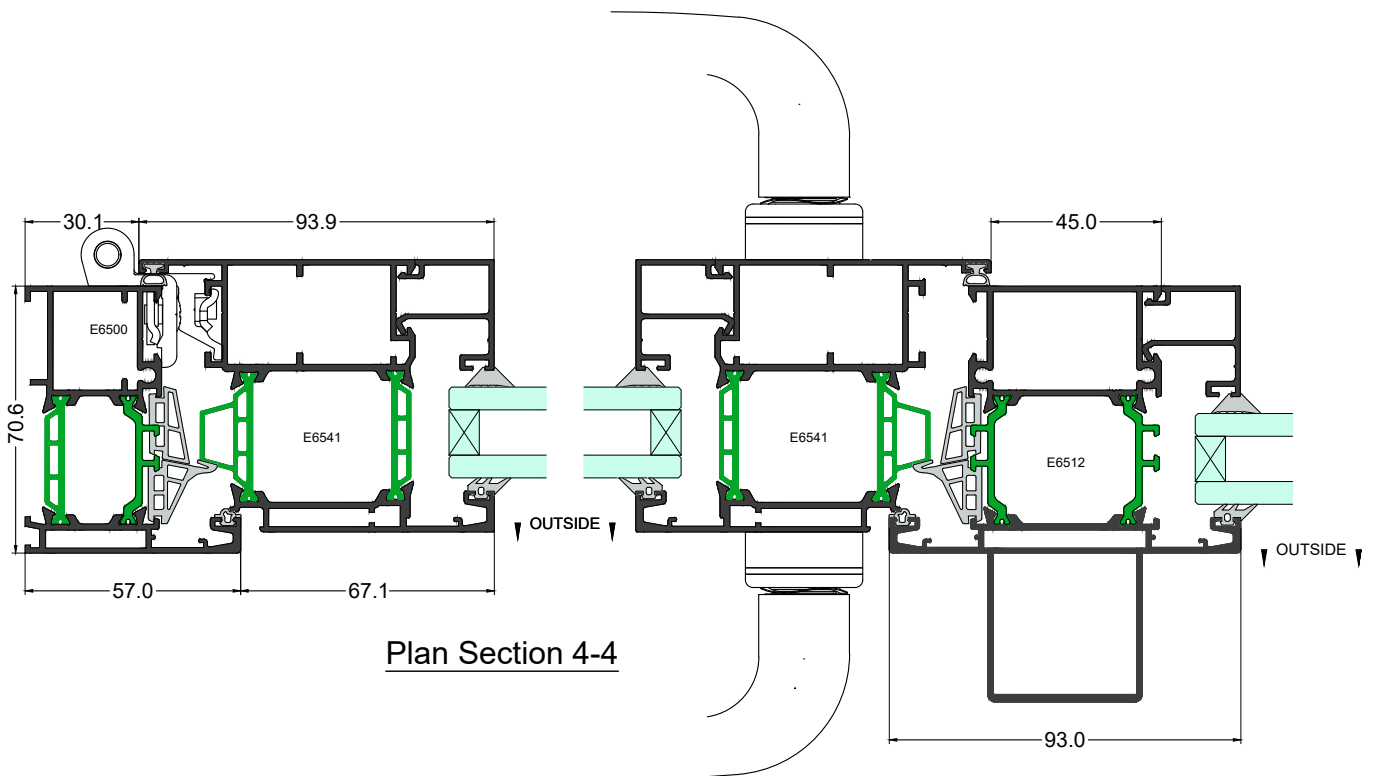
INWARD OPEN



INWARD OPEN



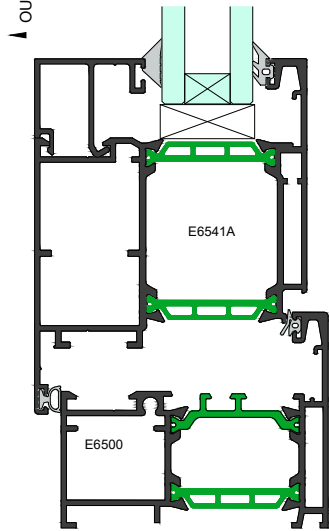
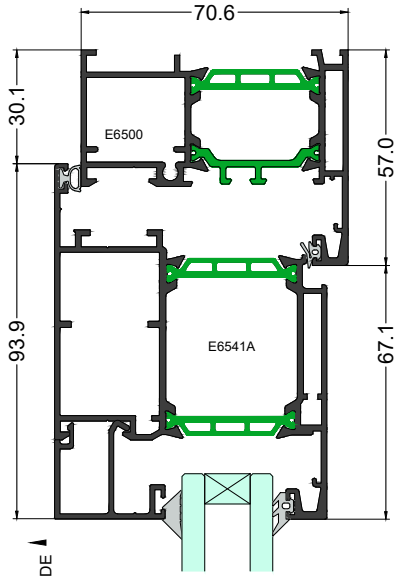
Plan Section 7-7



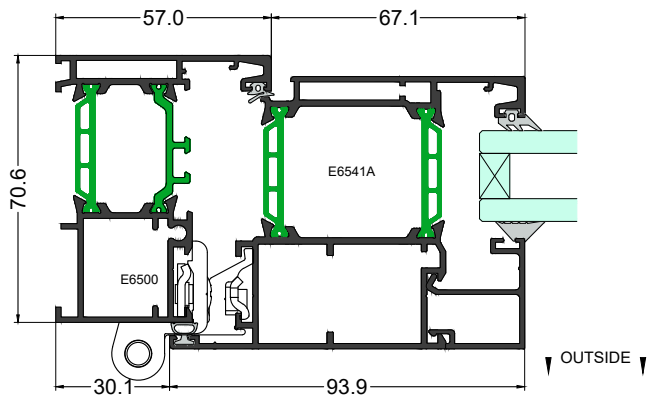
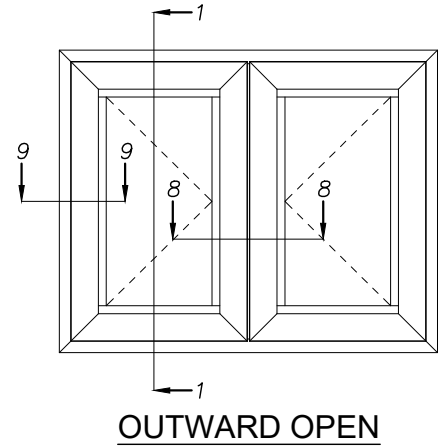
Plan Section 4-4

Layouts

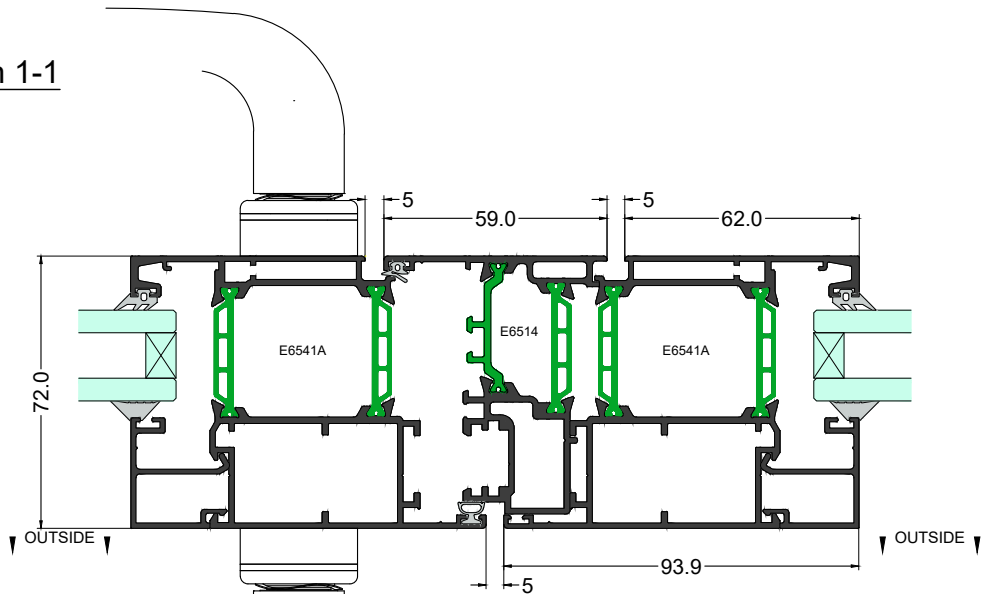
(OPEN OUT)



Elevation Section 1-1



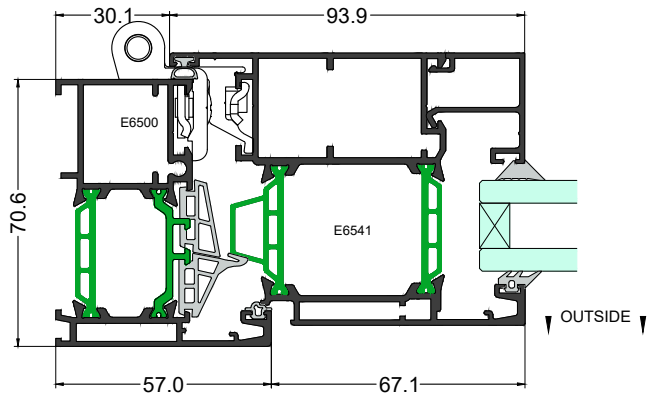
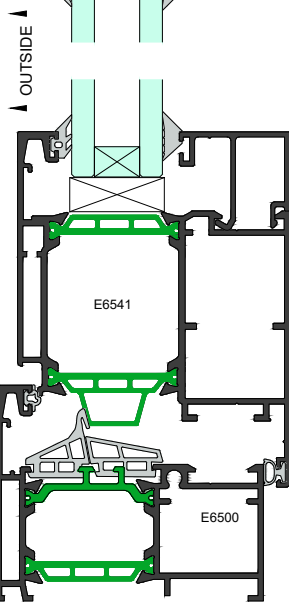
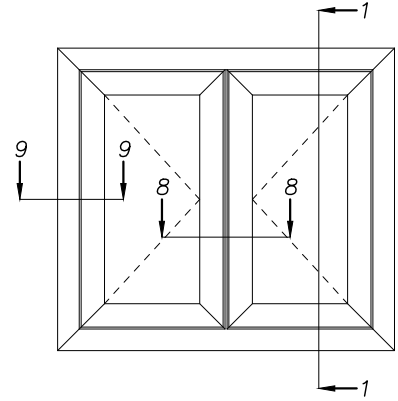
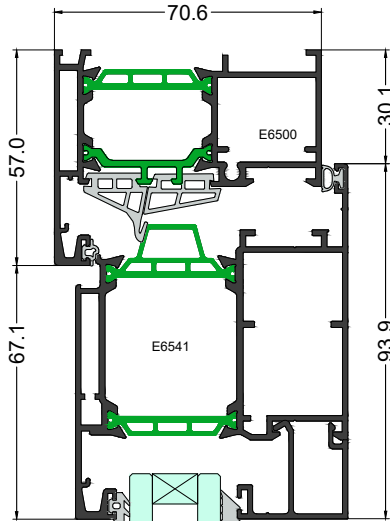
Plan Section 9-9



Plan Section 8-8

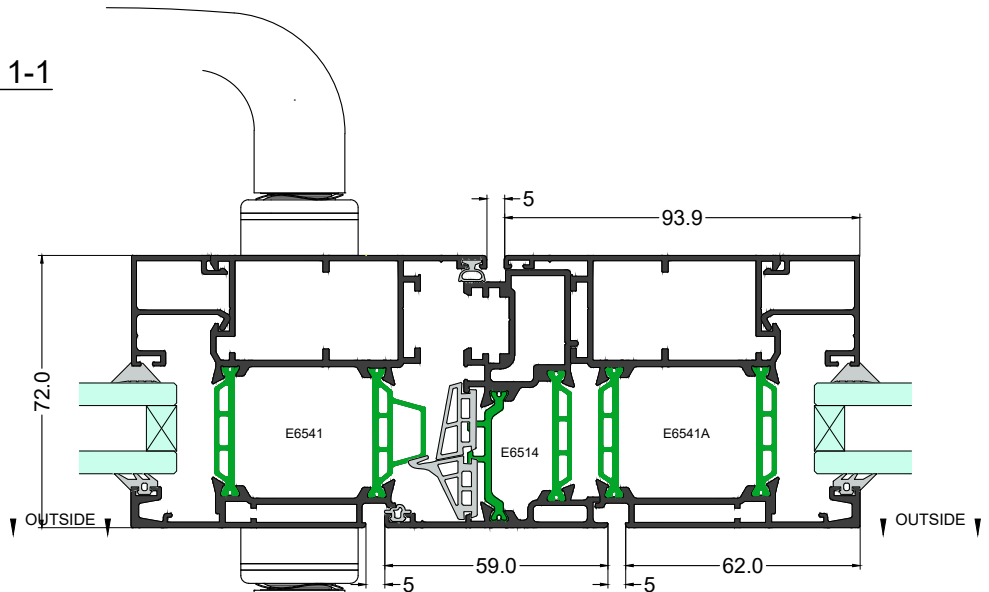
Layouts

(OPEN IN)



Plan Section 9-9

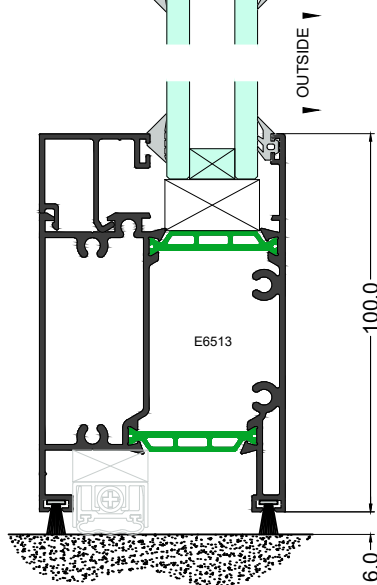
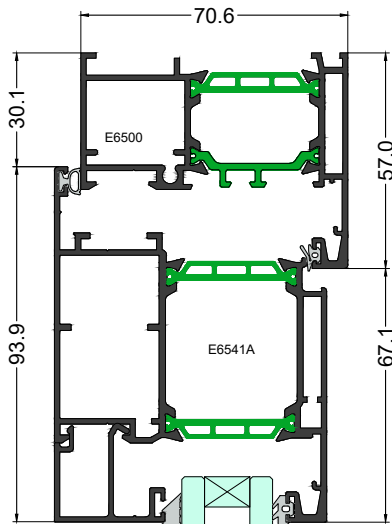
Elevation Section 1-1



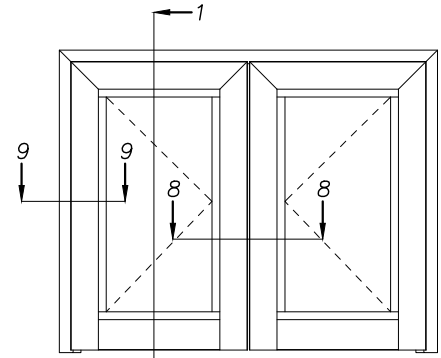
Plan Section 8-8

Layouts

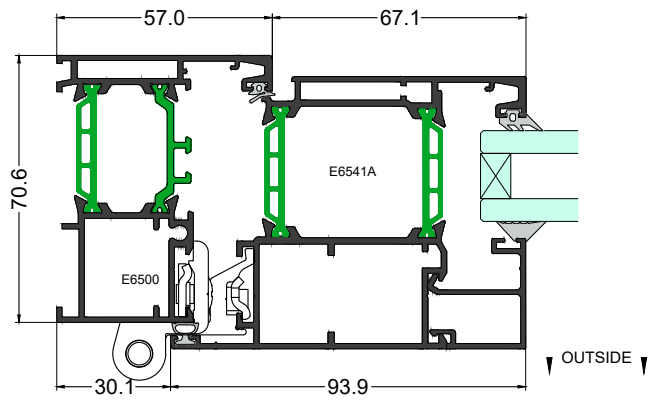
(OPEN OUT)



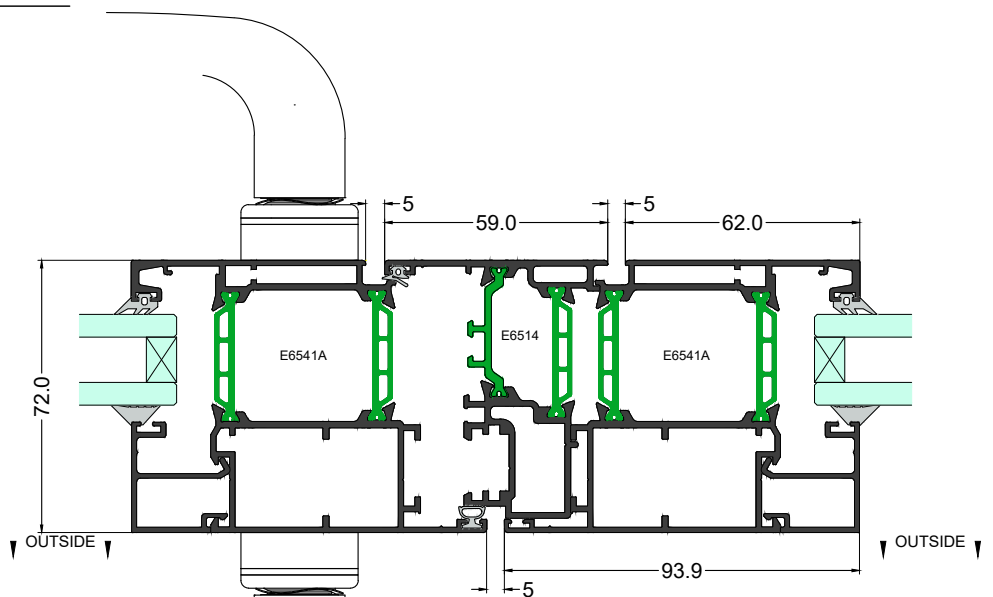
Elevation Section 1-1



OUTWARD OPEN



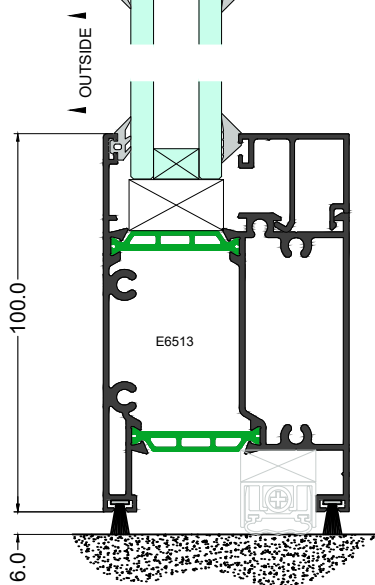
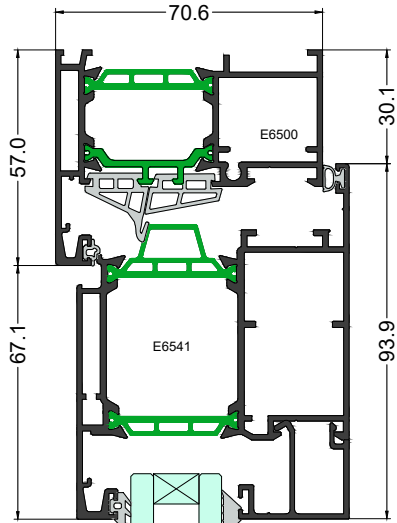
Plan Section 9-9



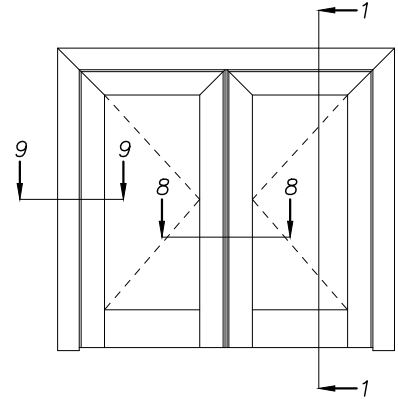
Plan Section 8-8

Layouts

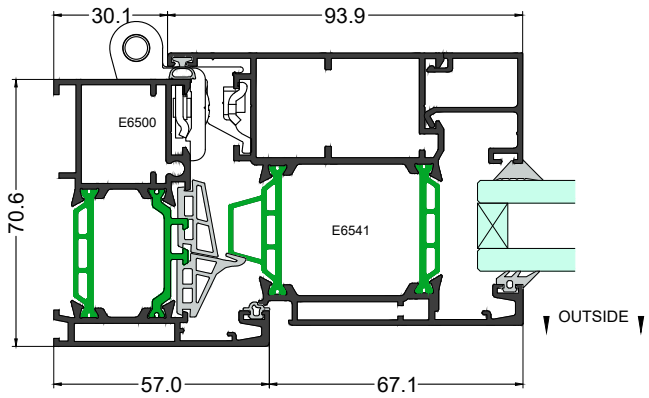
(OPEN IN)



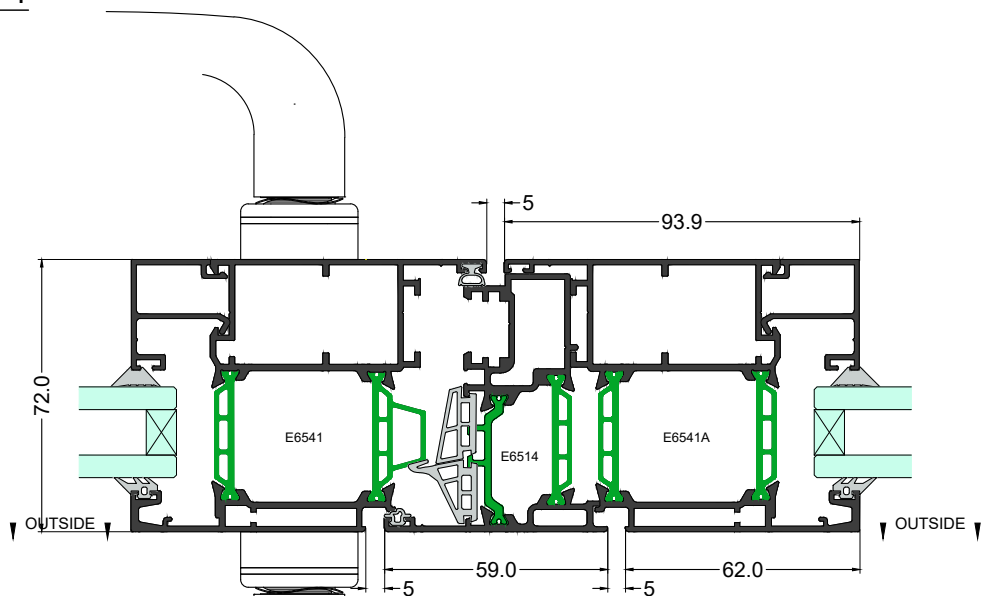
Elevation Section 1-1



INWARD OPEN

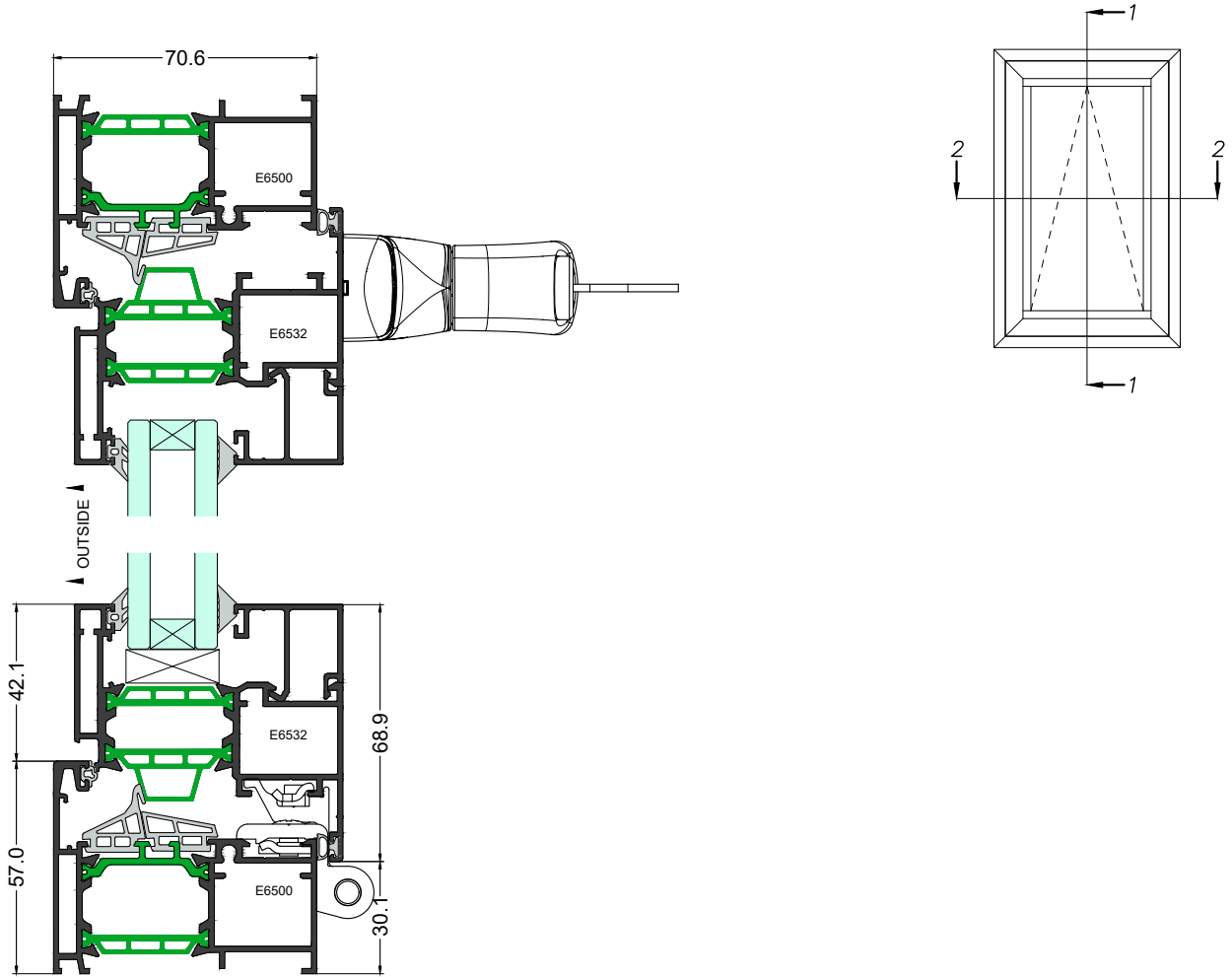


Plan Section 9-9

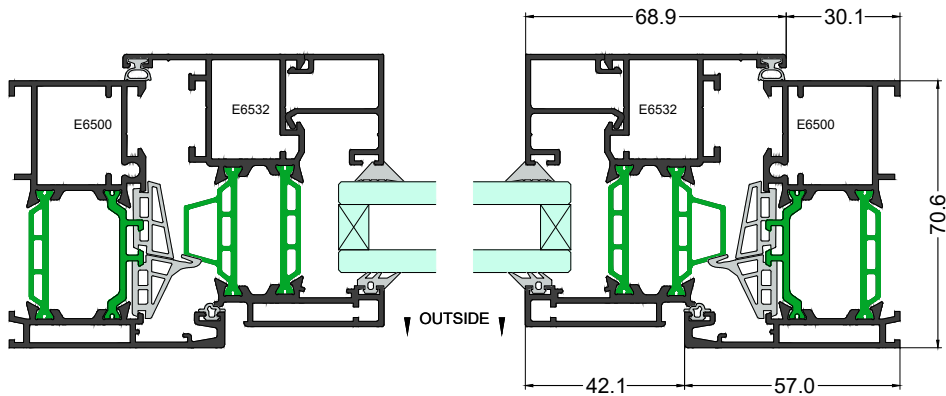


Plan Section 8-8

Layouts

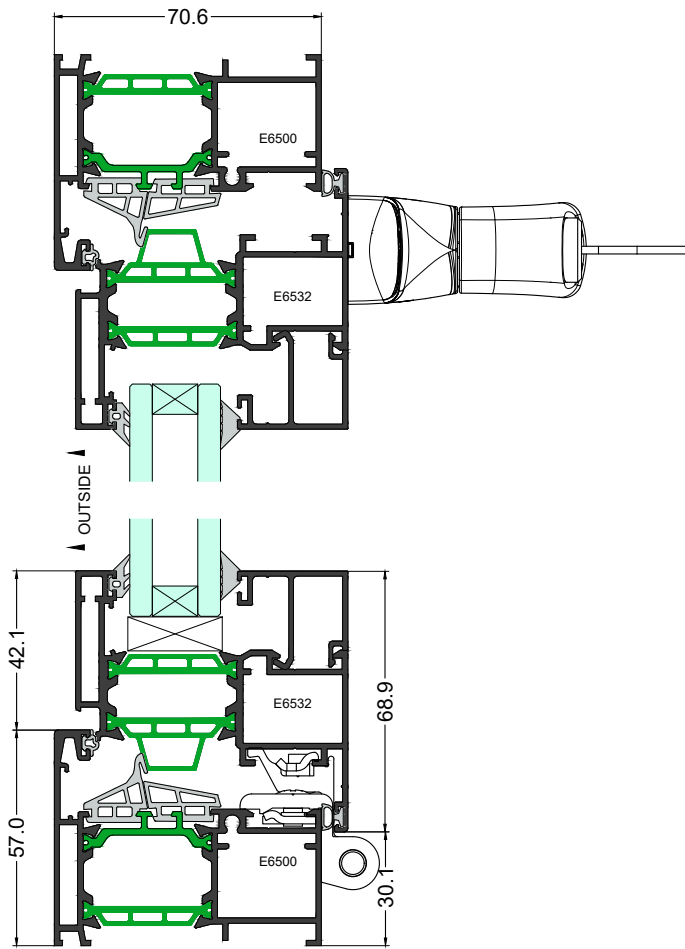


Elevation Section 1-1

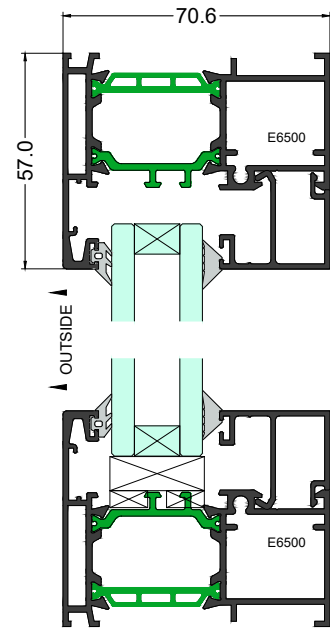
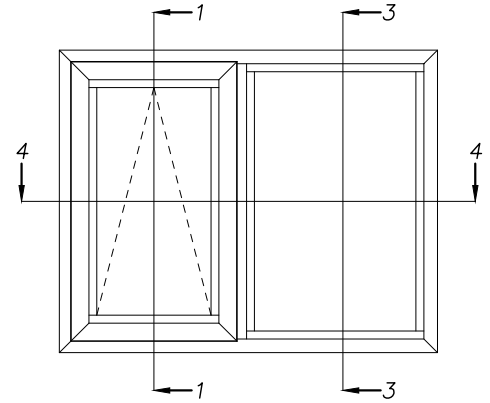


Plan Section 2-2

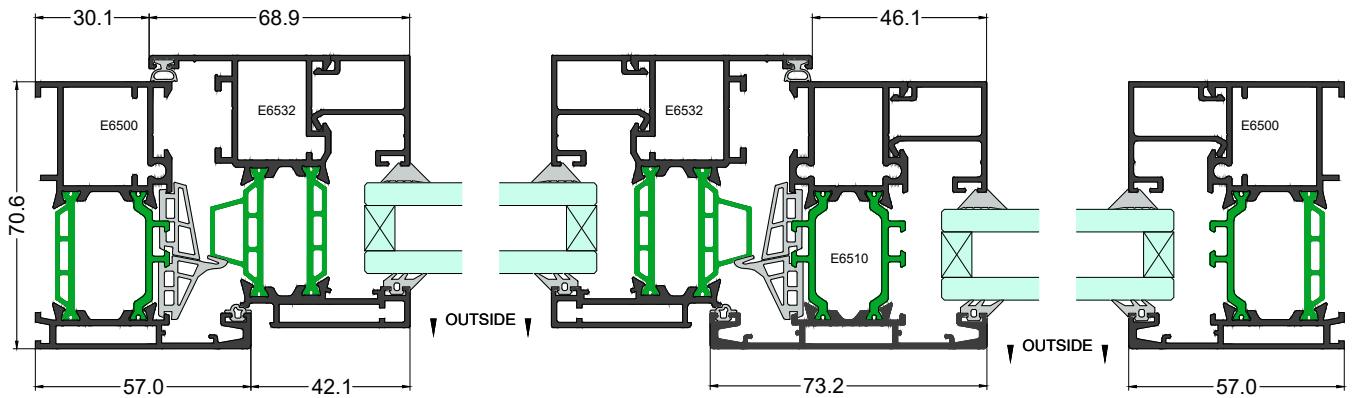
Layouts



Elevation Section 1-1

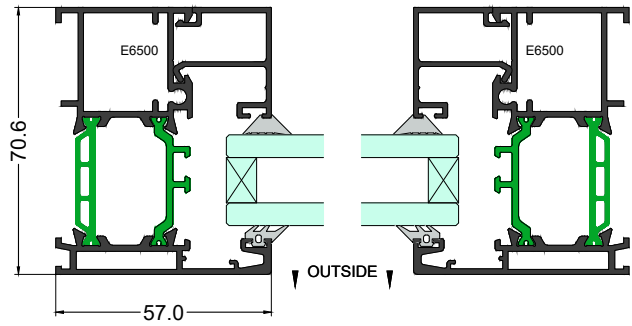
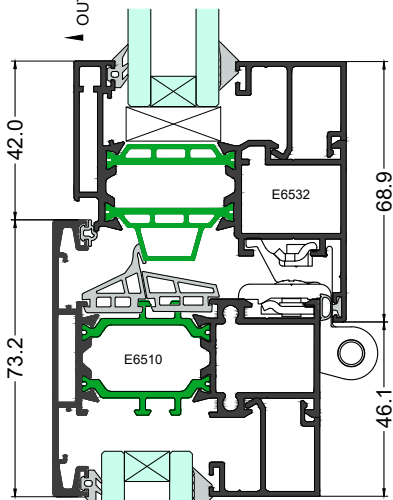
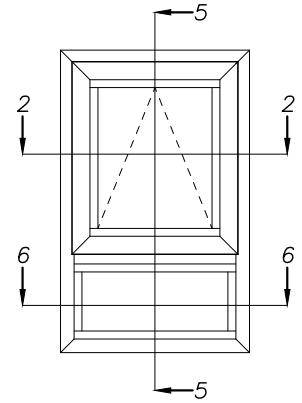
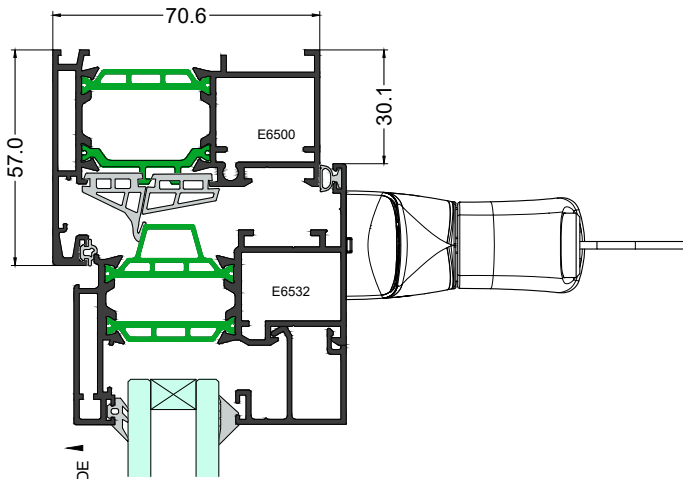


Elevation Section 3-3

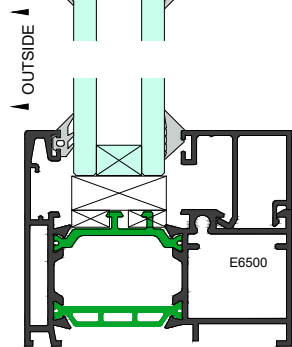


Plan Section 4-4

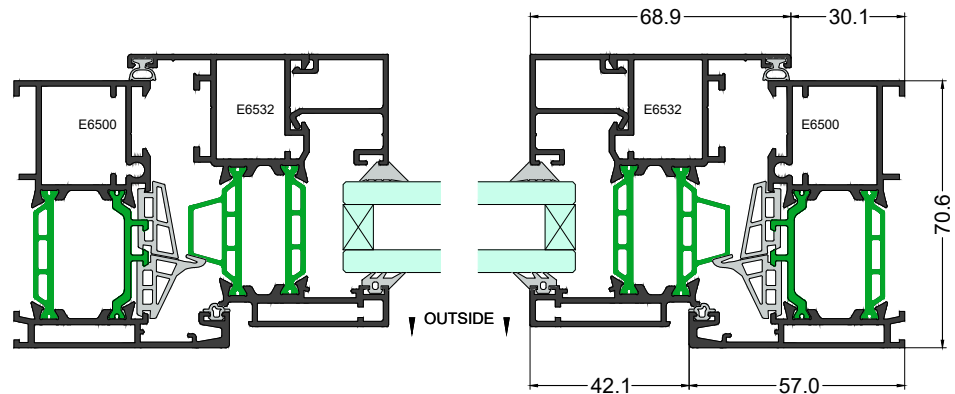
Layouts



Plan Section 6-6

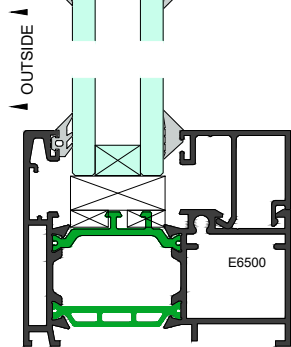
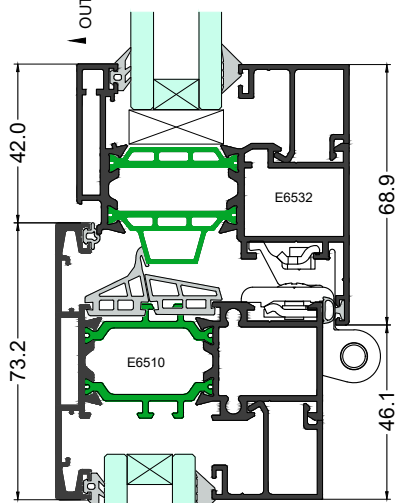
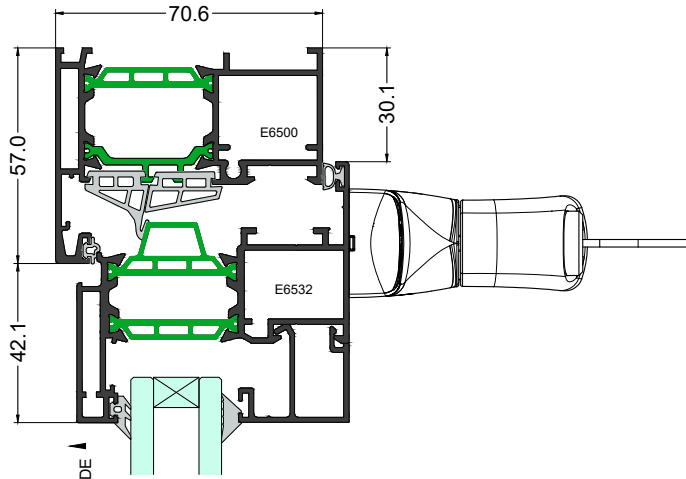


Elevation Section 5-5

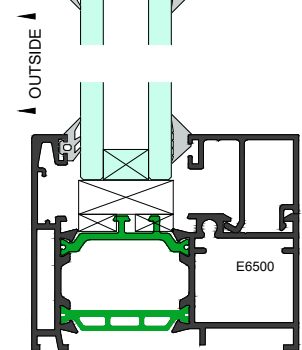
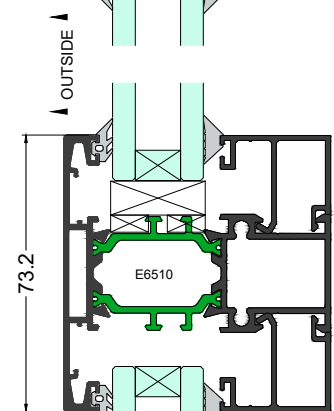
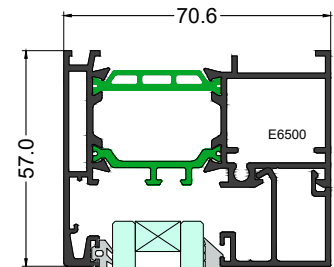
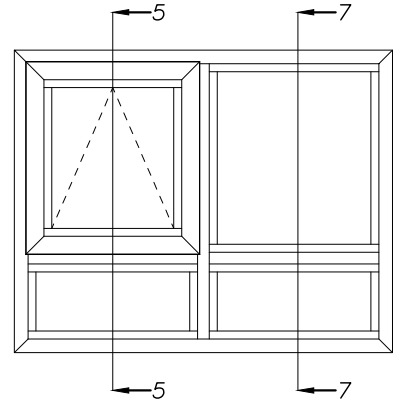


Plan Section 2-2

Layouts

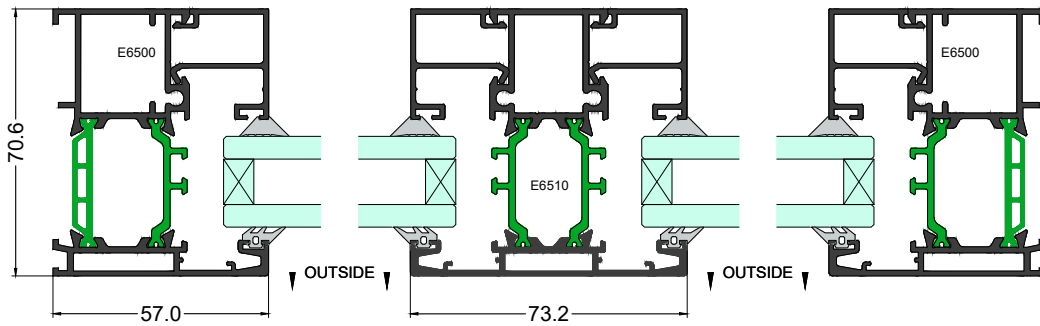
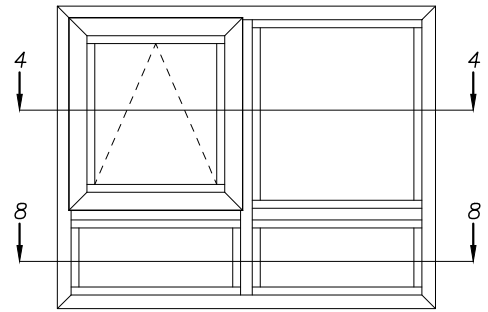


Elevation Section 5-5

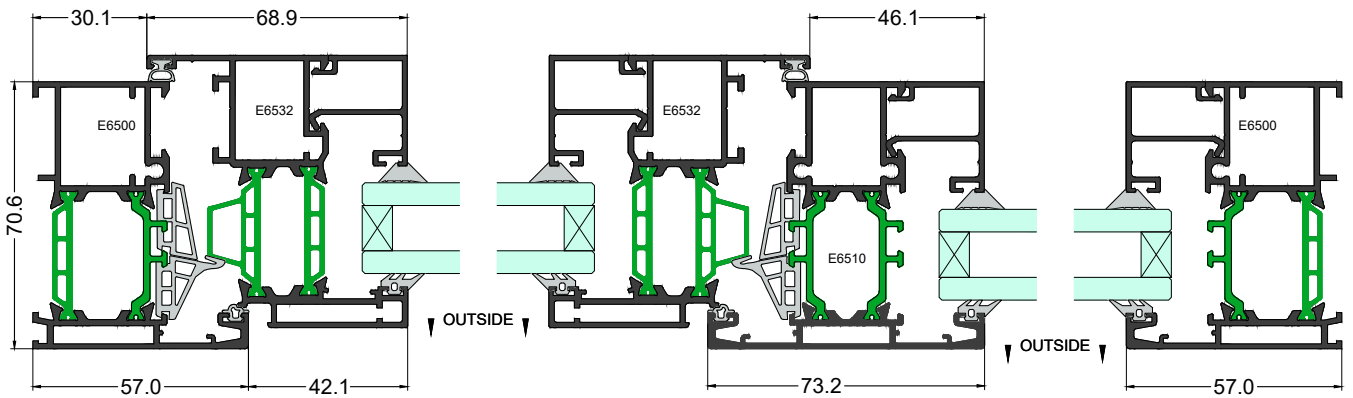


Elevation Section 7-7

Layouts

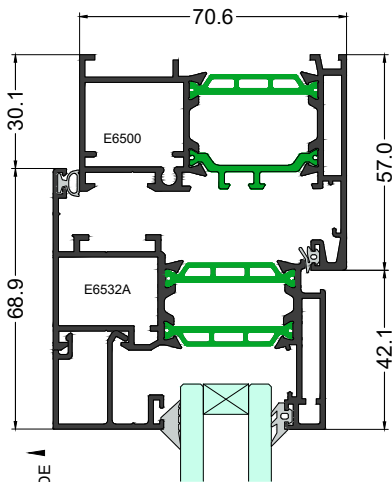


Plan Section 8-8

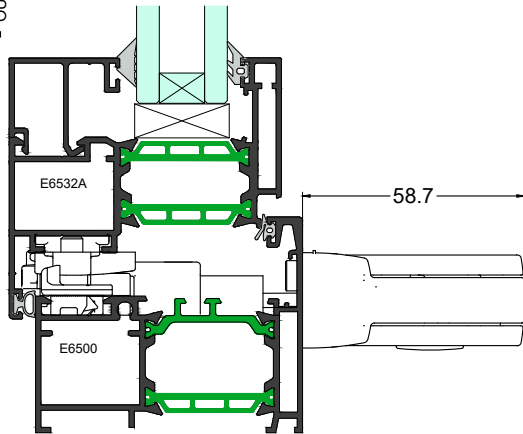


Plan Section 4-4

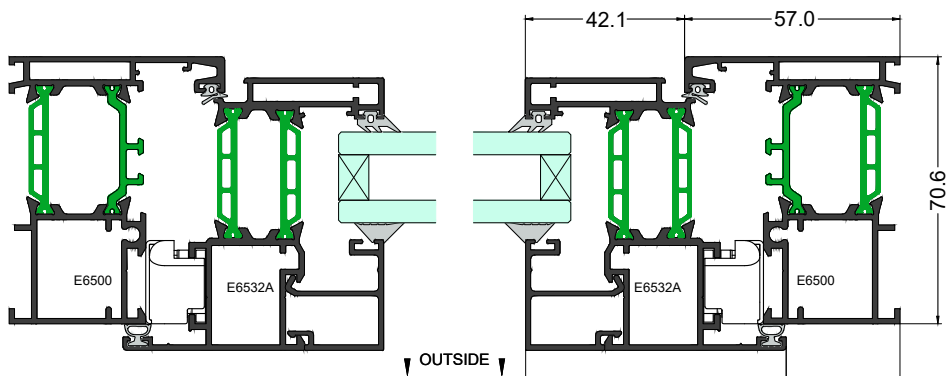
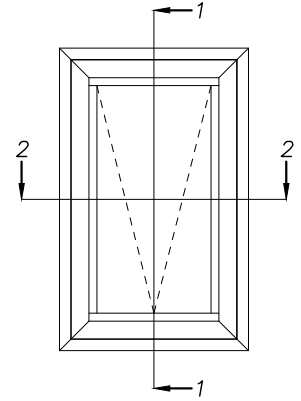
Layouts



▲ OUTSIDE ▲



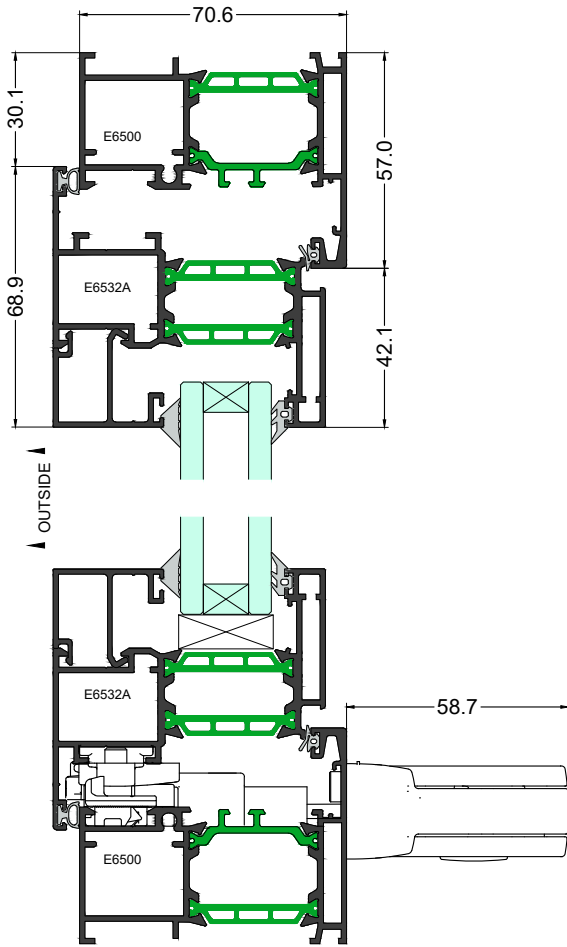
Elevation Section 1-1



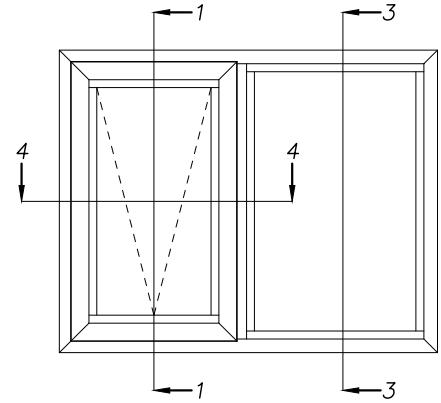
▼ OUTSIDE ▼

Plan Section 2-2

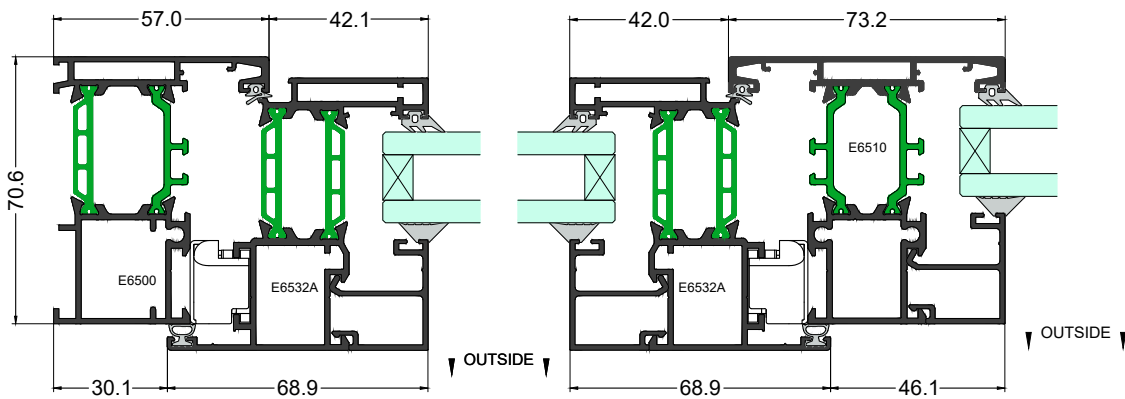
Layouts



Elevation Section 1-1

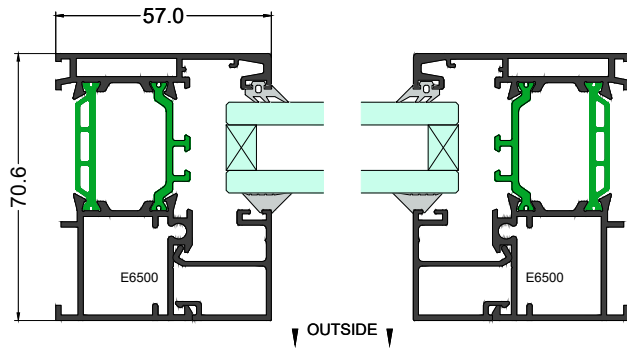
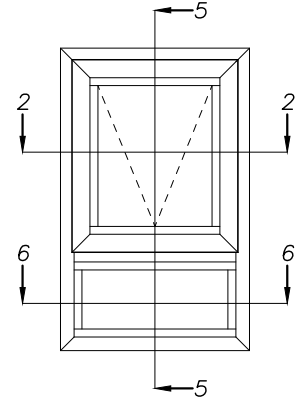
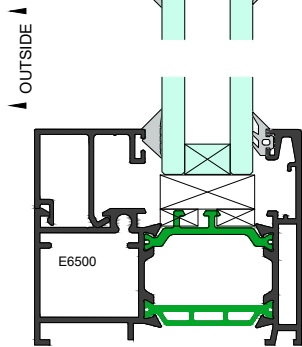
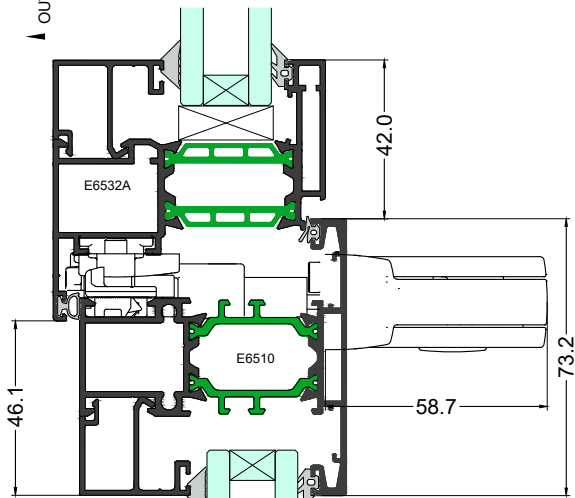
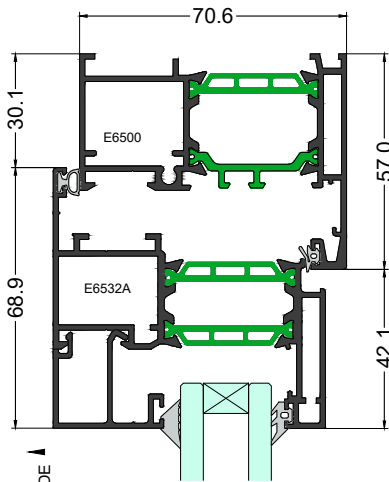


Elevation Section 3-3



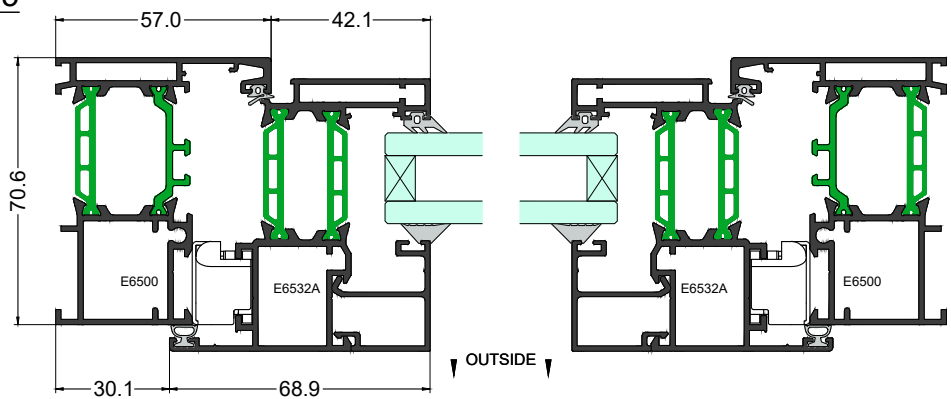
Plan Section 4-4

Layouts



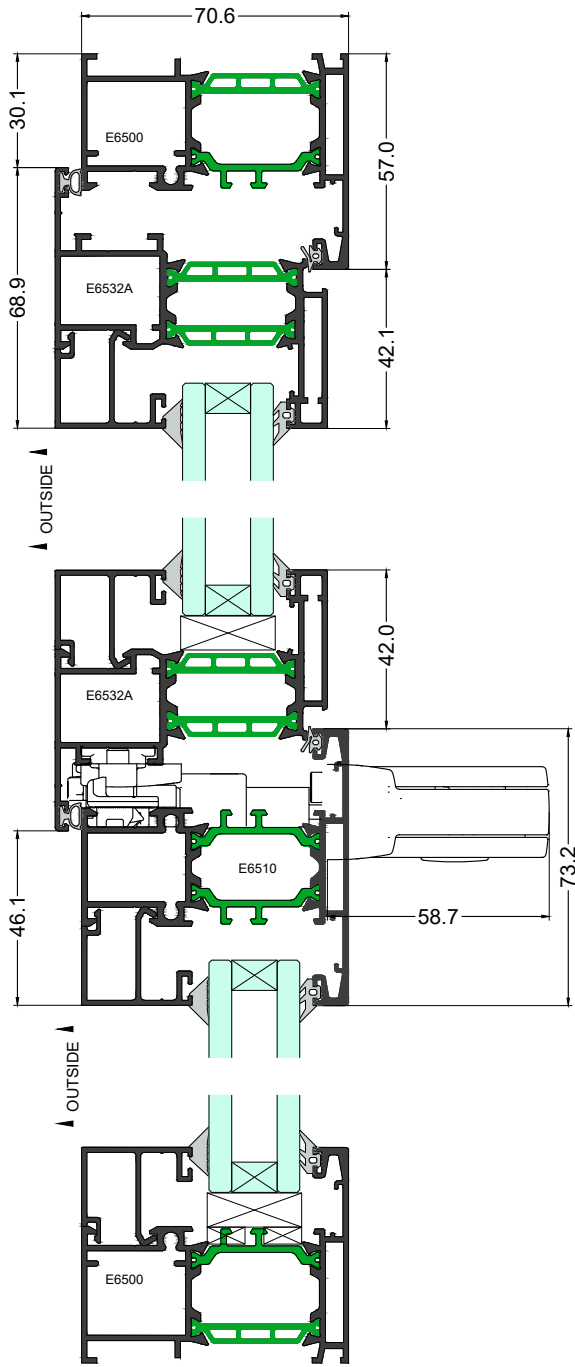
Plan Section 6-6

Elevation Section 5-5

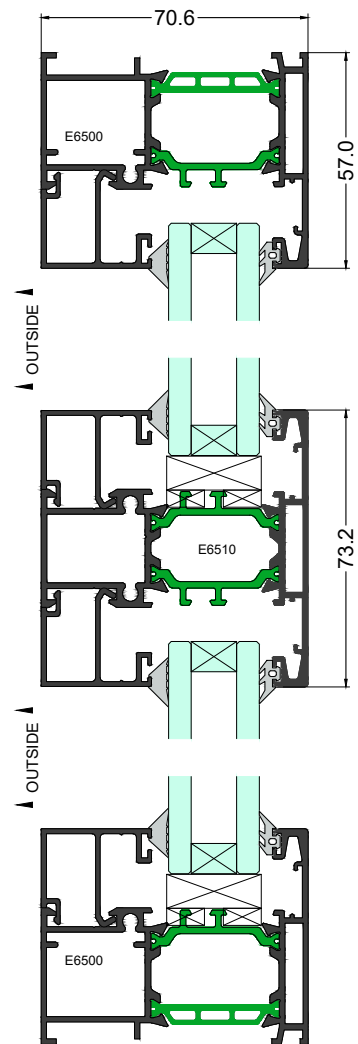
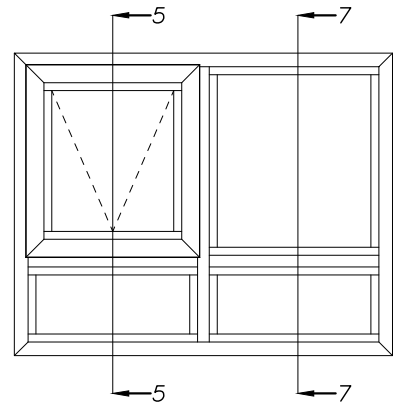


Plan Section 2-2

Layouts

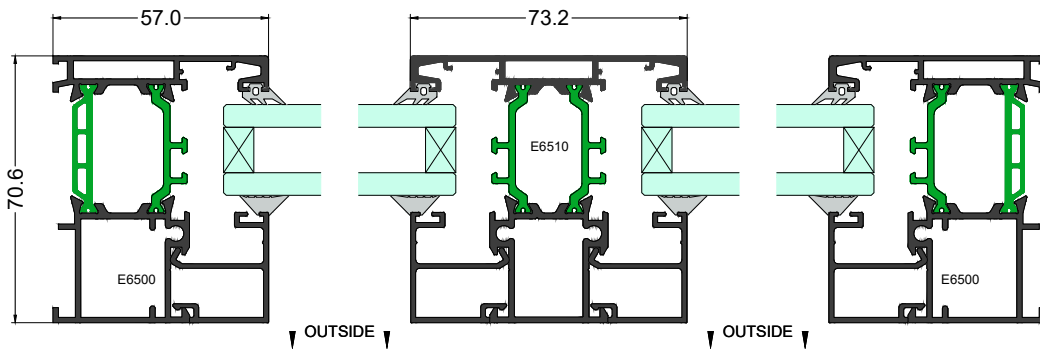
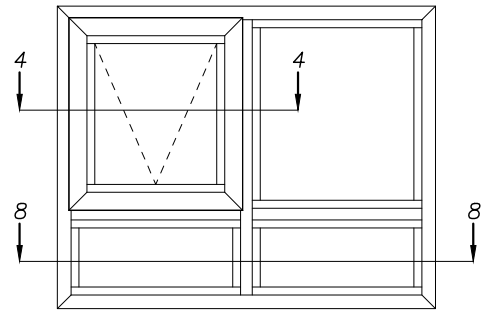


Elevation Section 5-5

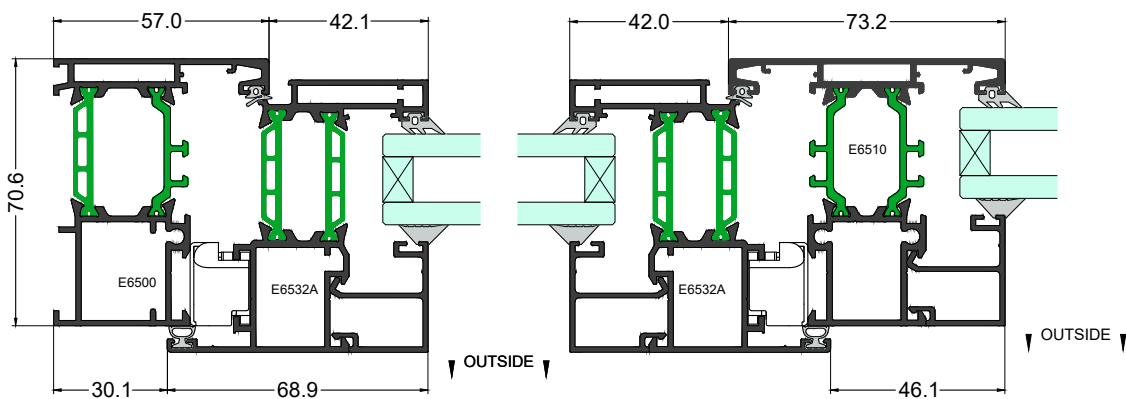


Elevation Section 7-7

Layouts

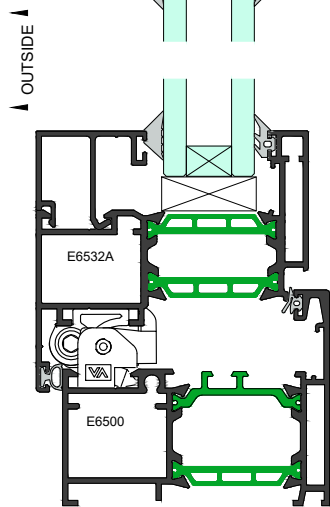
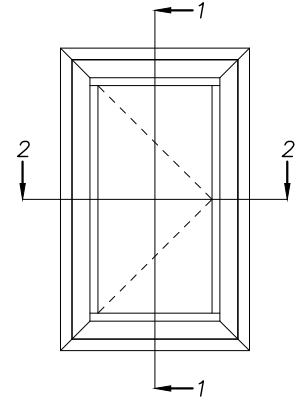
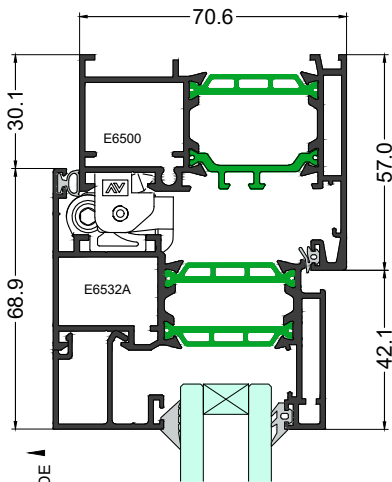


Plan Section 8-8

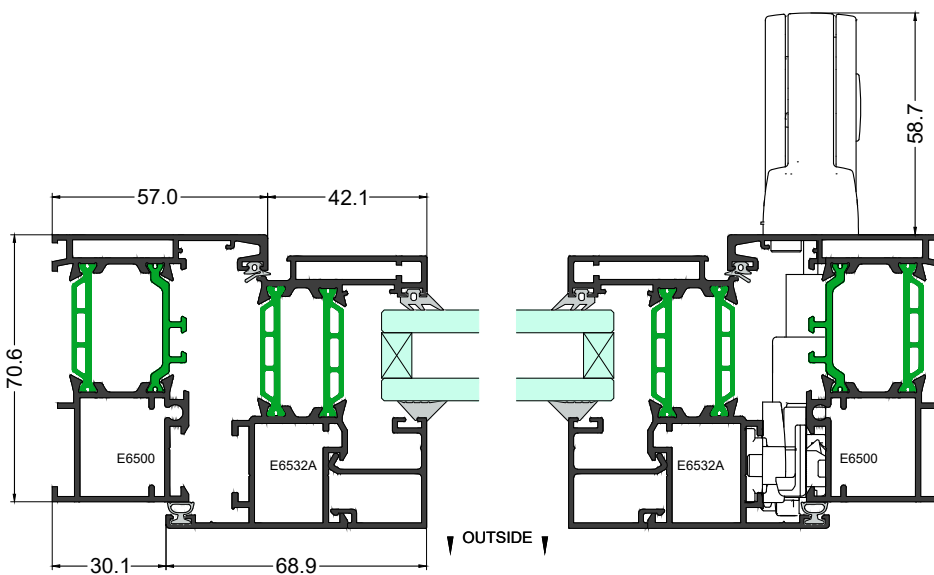


Plan Section 4-4

Layouts

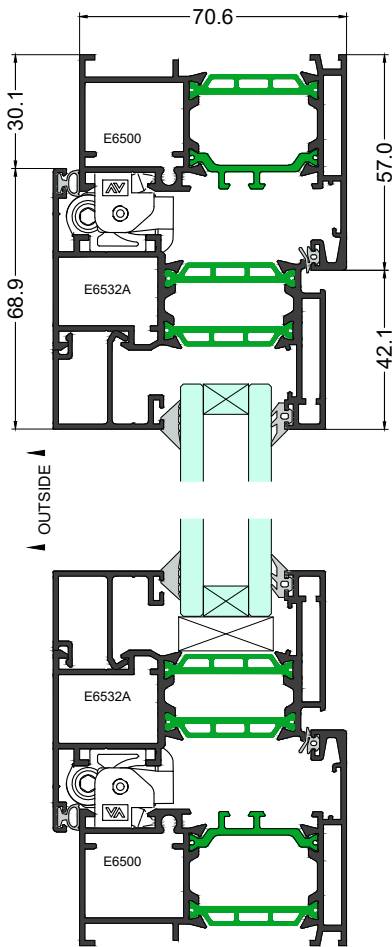


Elevation Section 1-1

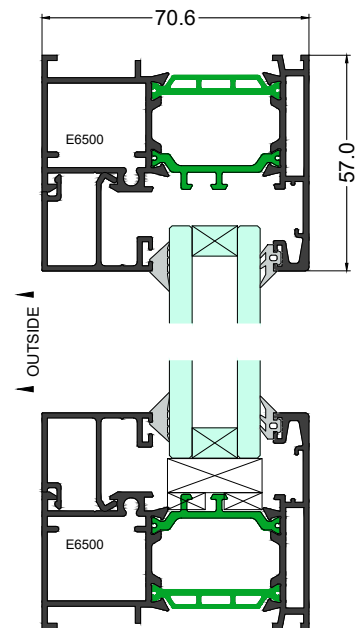
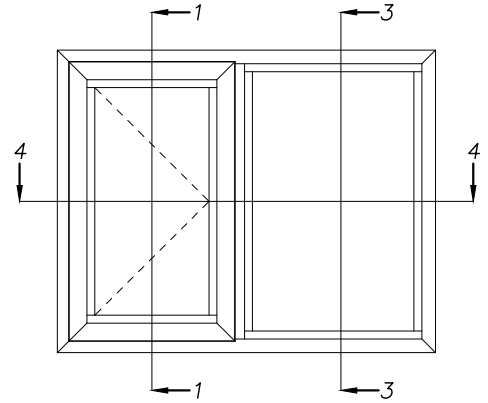


Plan Section 2-2

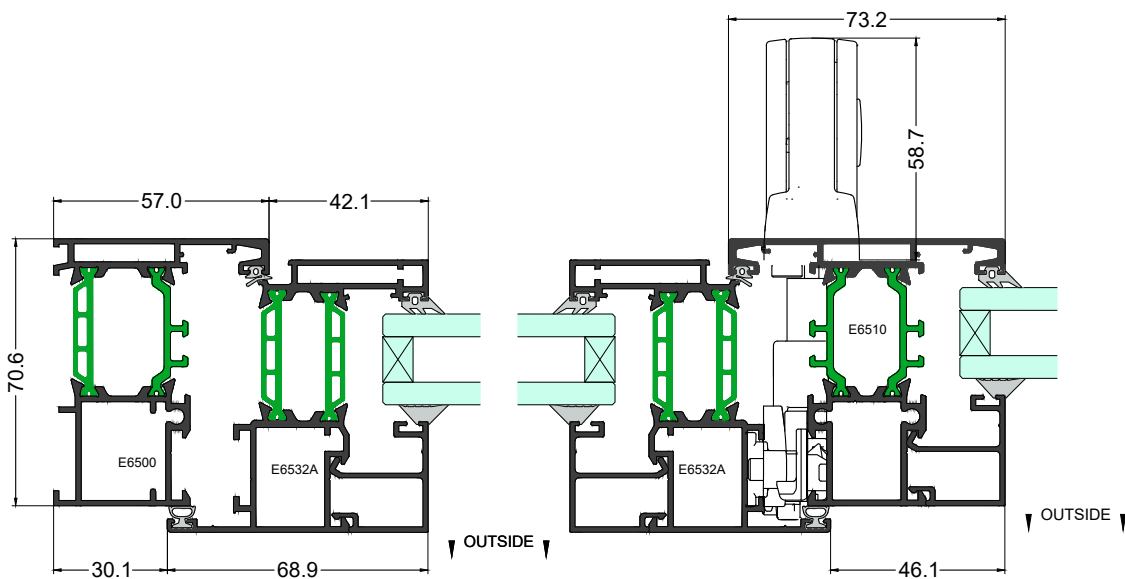
Layouts



Elevation Section 1-1

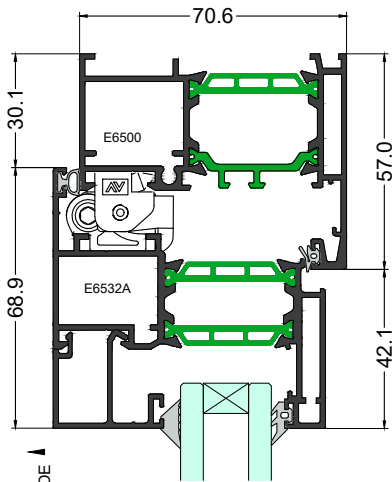


Elevation Section 3-3

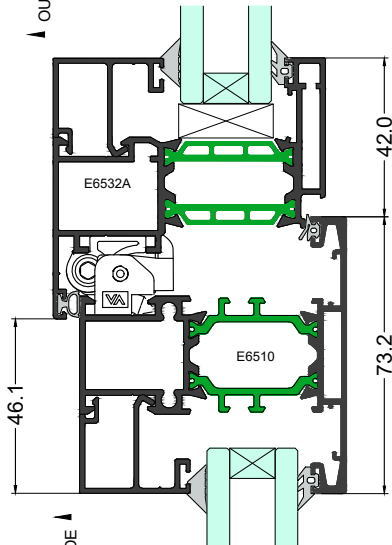


Plan Section 4-4

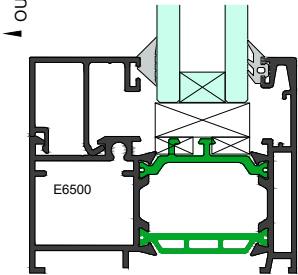
Layouts



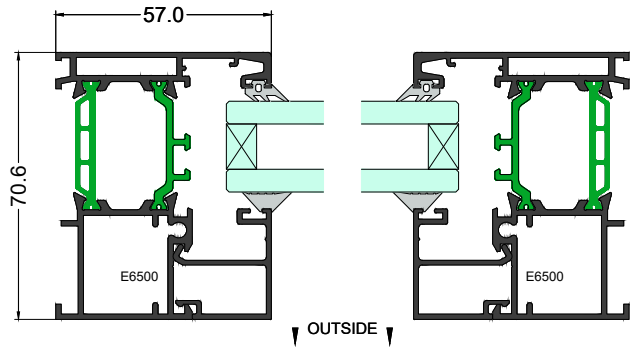
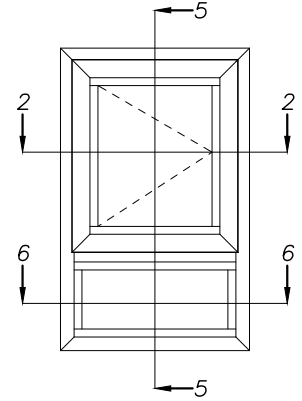
OUTSIDE ↑



OUTSIDE ↑

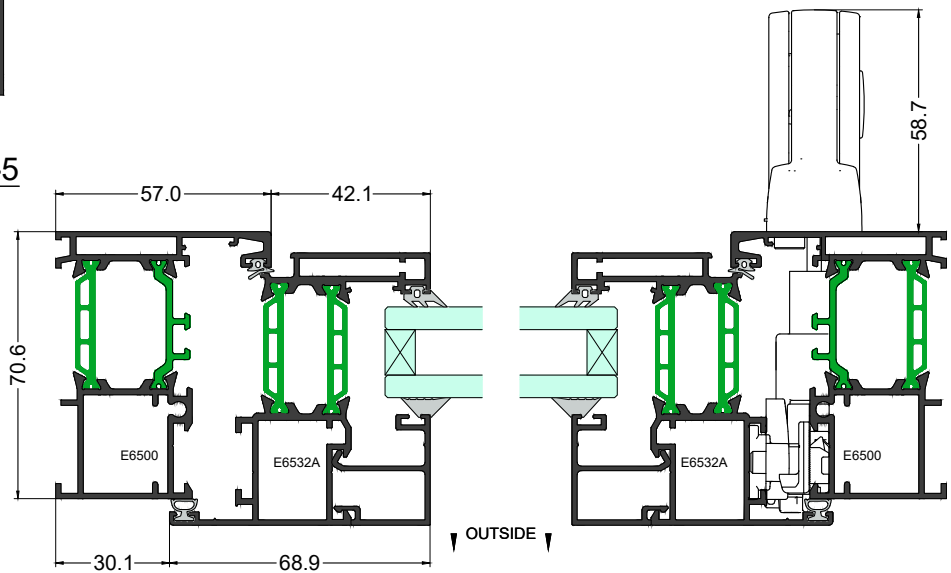


Elevation Section 5-5



OUTSIDE ↓

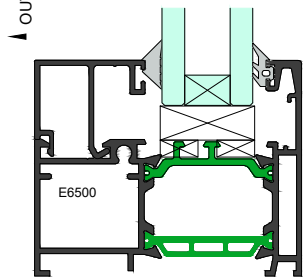
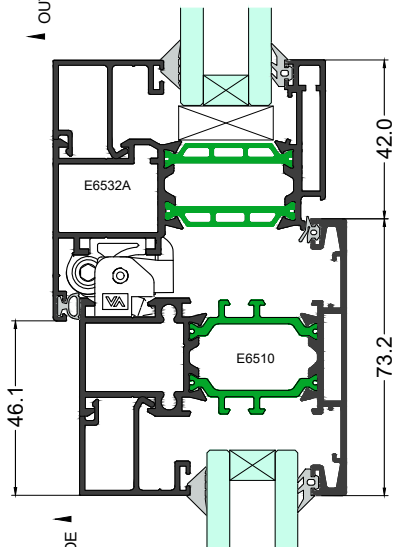
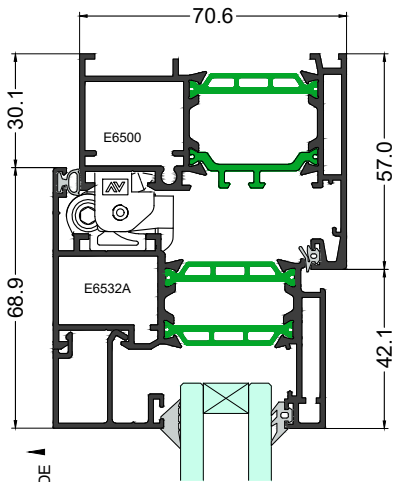
Plan Section 6-6



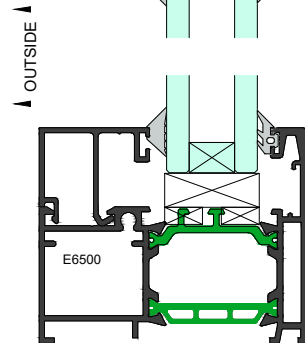
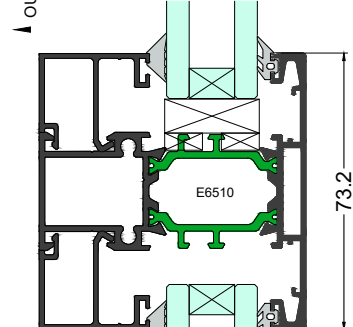
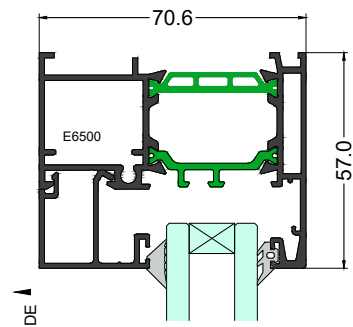
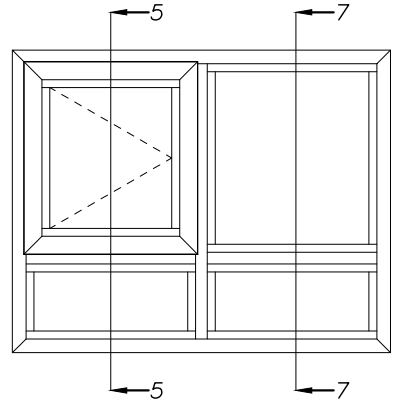
OUTSIDE ↓

Plan Section 2-2

Layouts

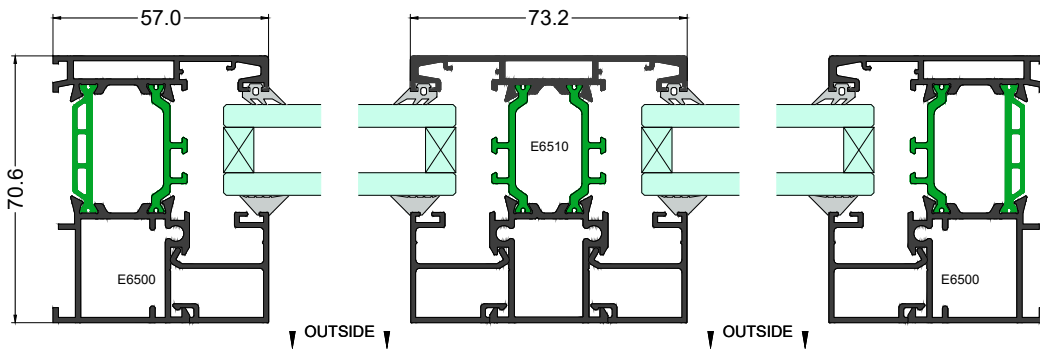
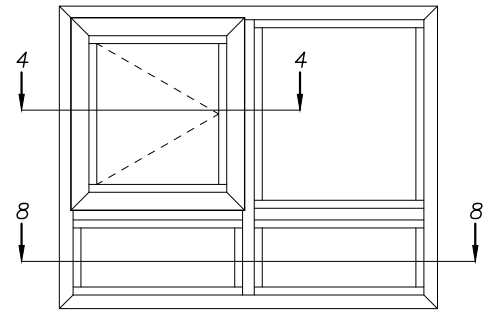


Elevation Section 5-5

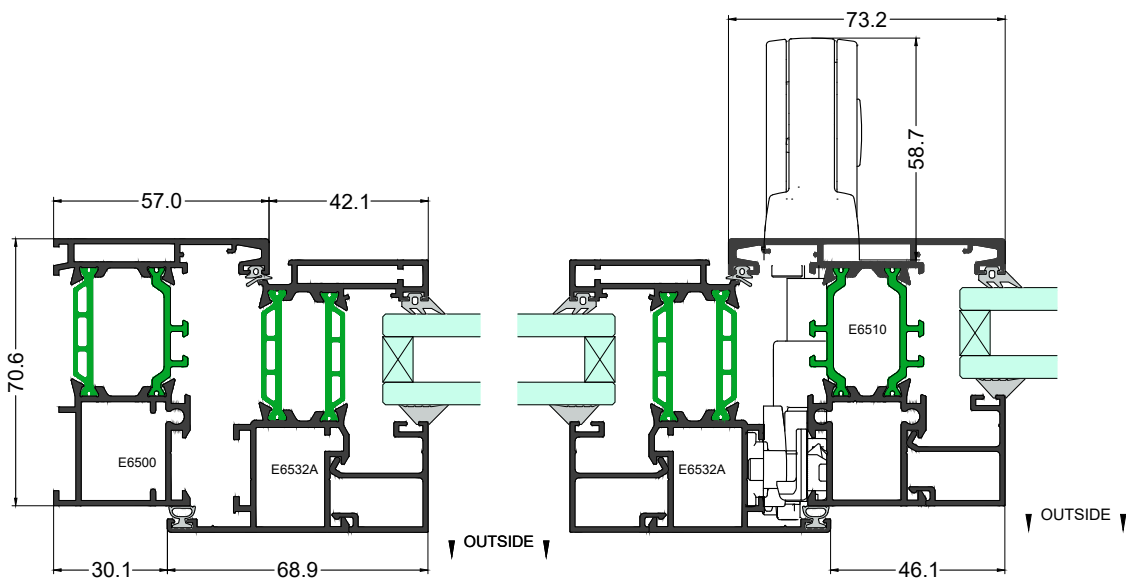


Elevation Section 7-7

Layouts



Plan Section 8-8



Plan Section 4-4