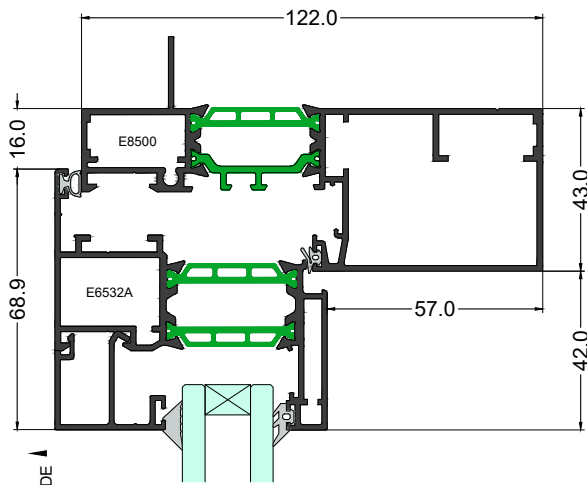
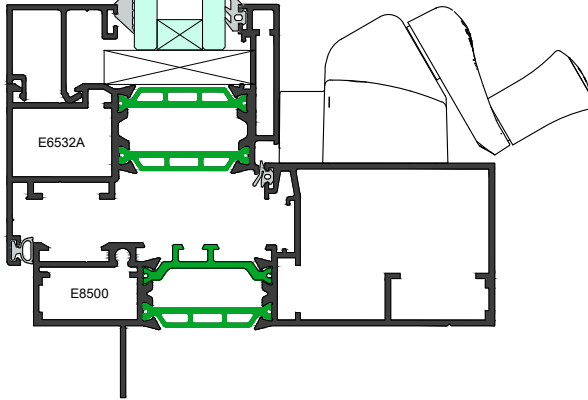


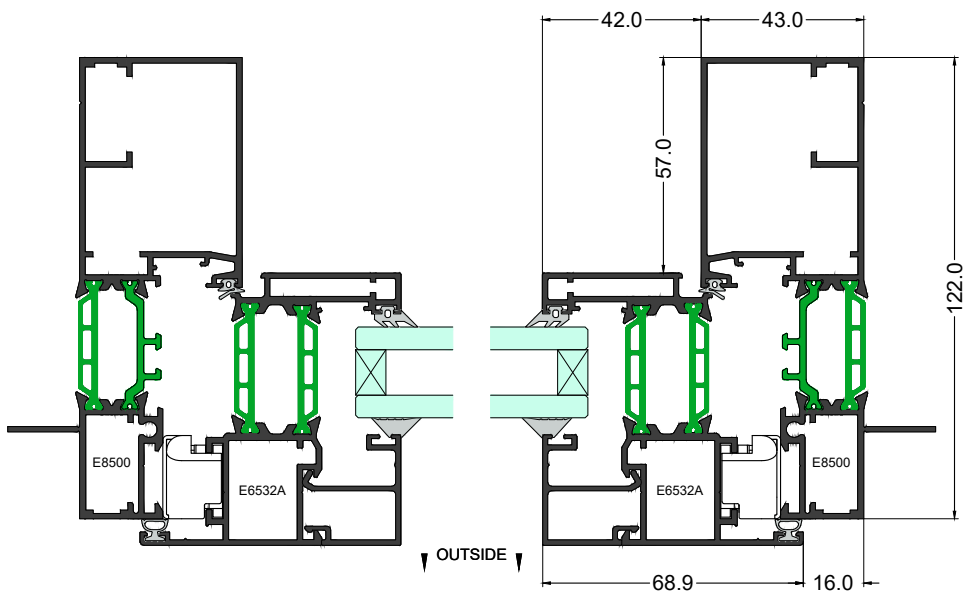
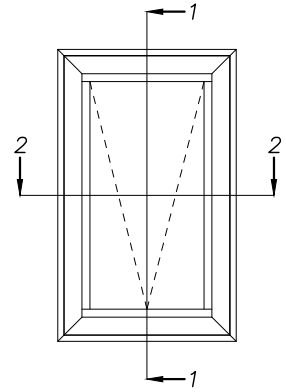
Layouts



▲ OUTSIDE ▲



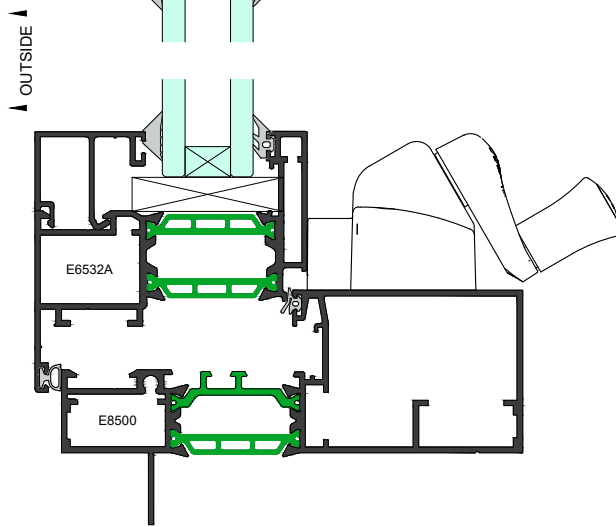
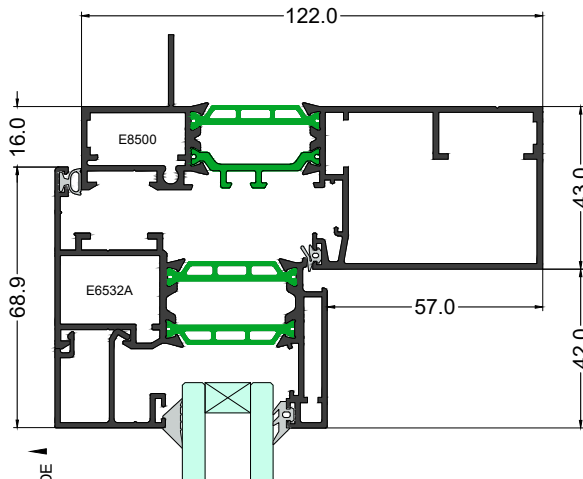
Elevation Section 1-1



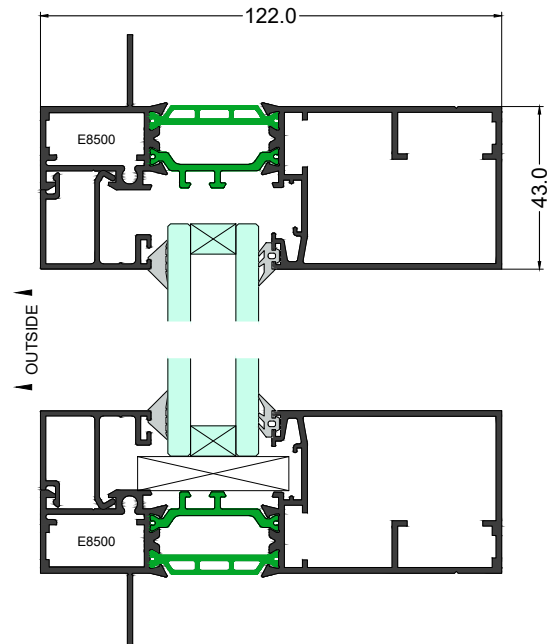
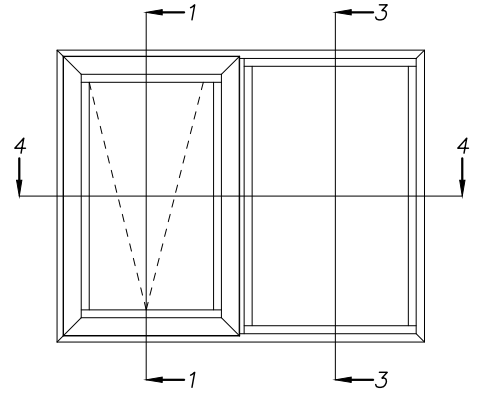
▼ OUTSIDE ▼

Plan Section 2-2

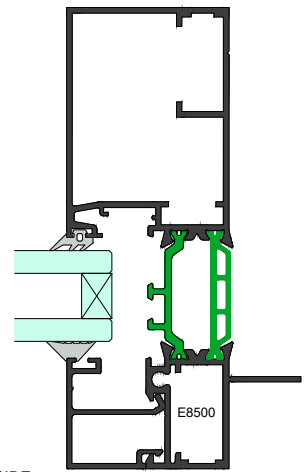
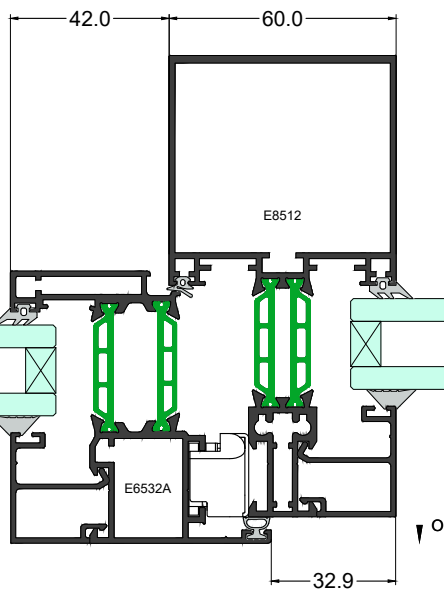
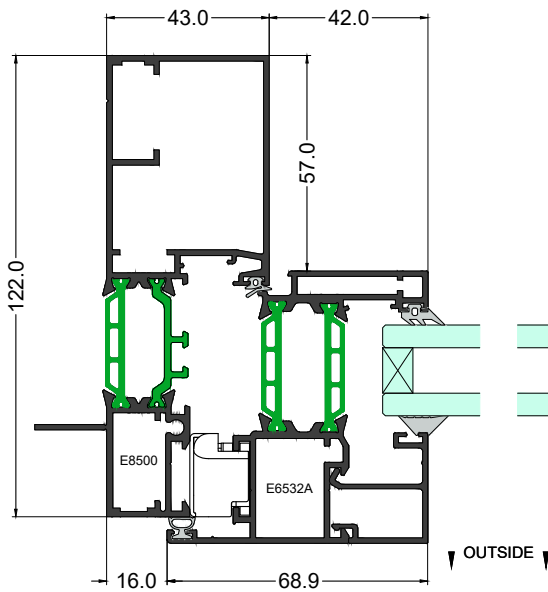
Layouts



Elevation Section 1-1

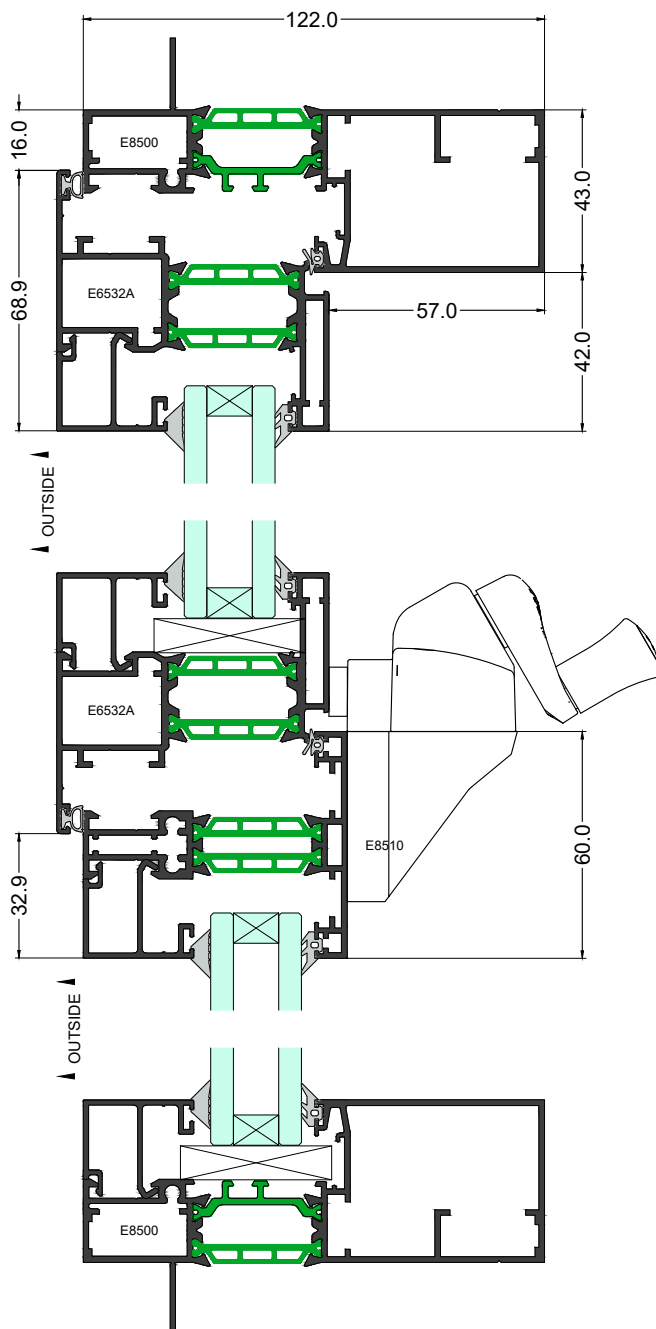
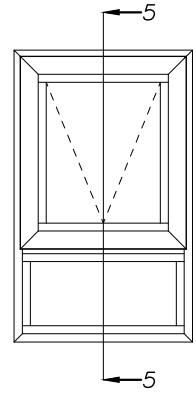


Elevation Section 3-3



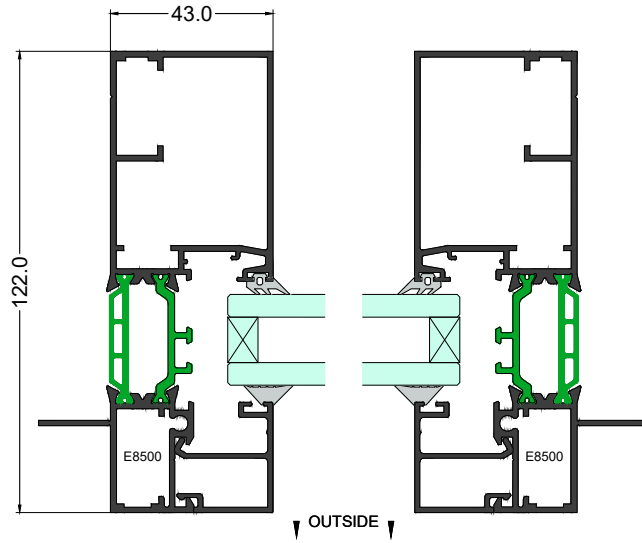
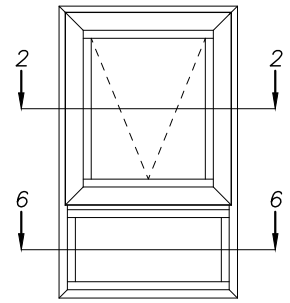
Plan Section 4-4

Layouts

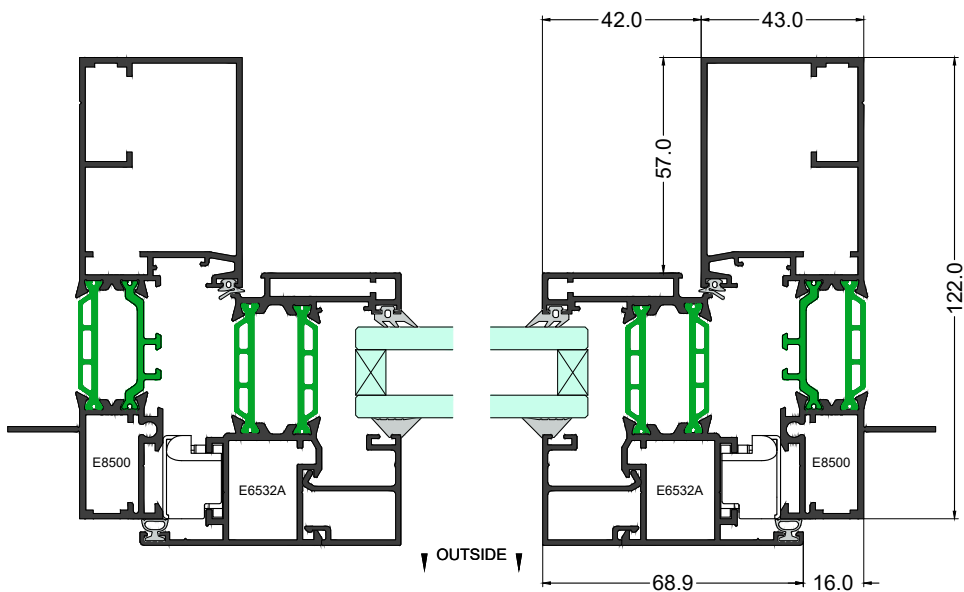


Elevation Section 5-5

Layouts

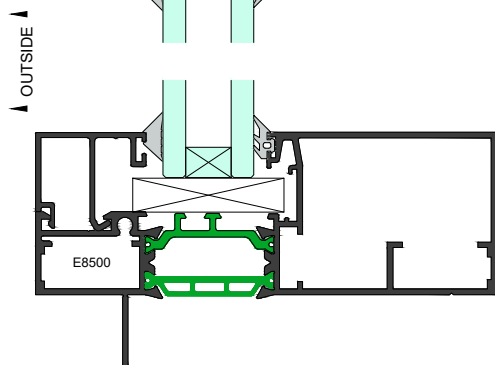
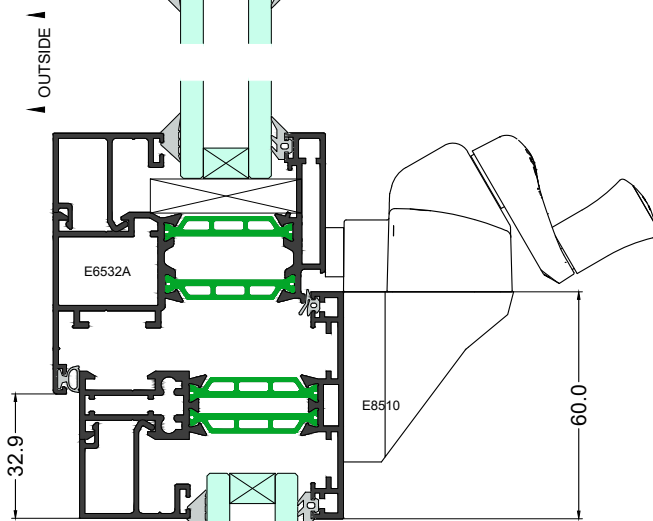
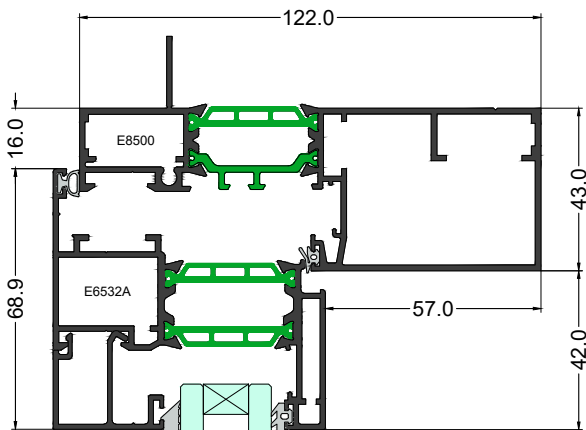
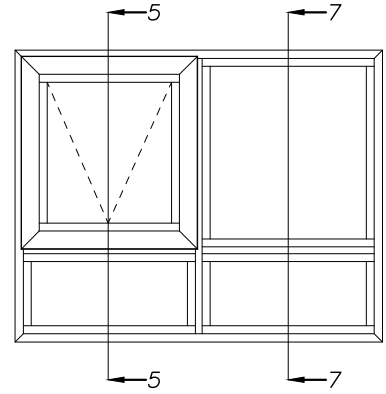


Plan Section 6-6

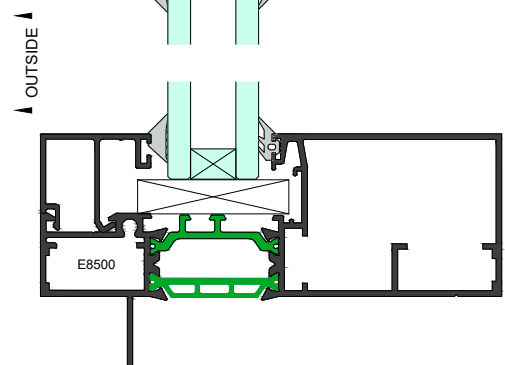
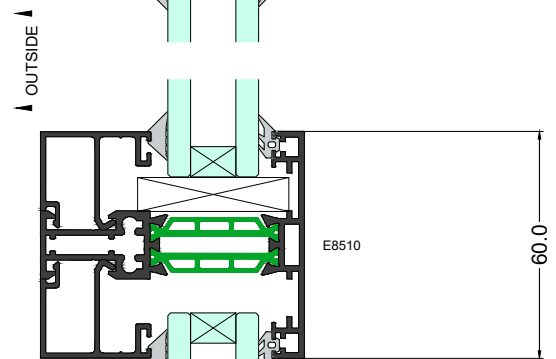
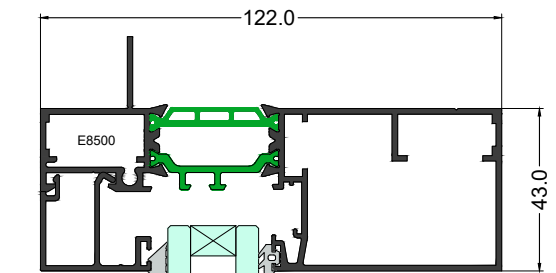


Plan Section 2-2

Layouts

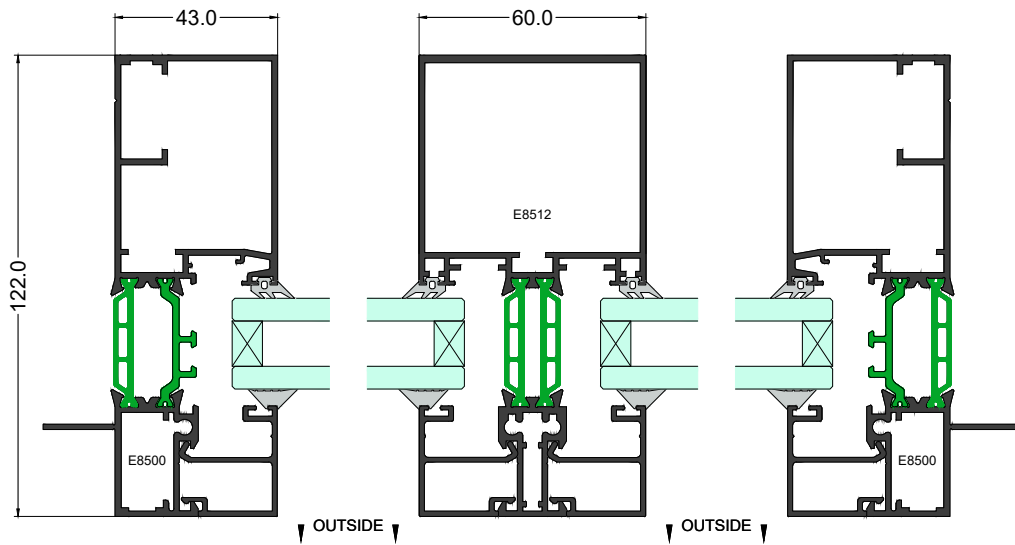
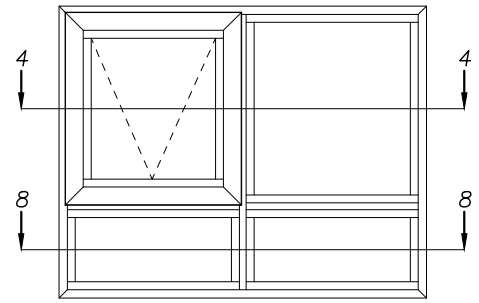


Elevation Section 5-5

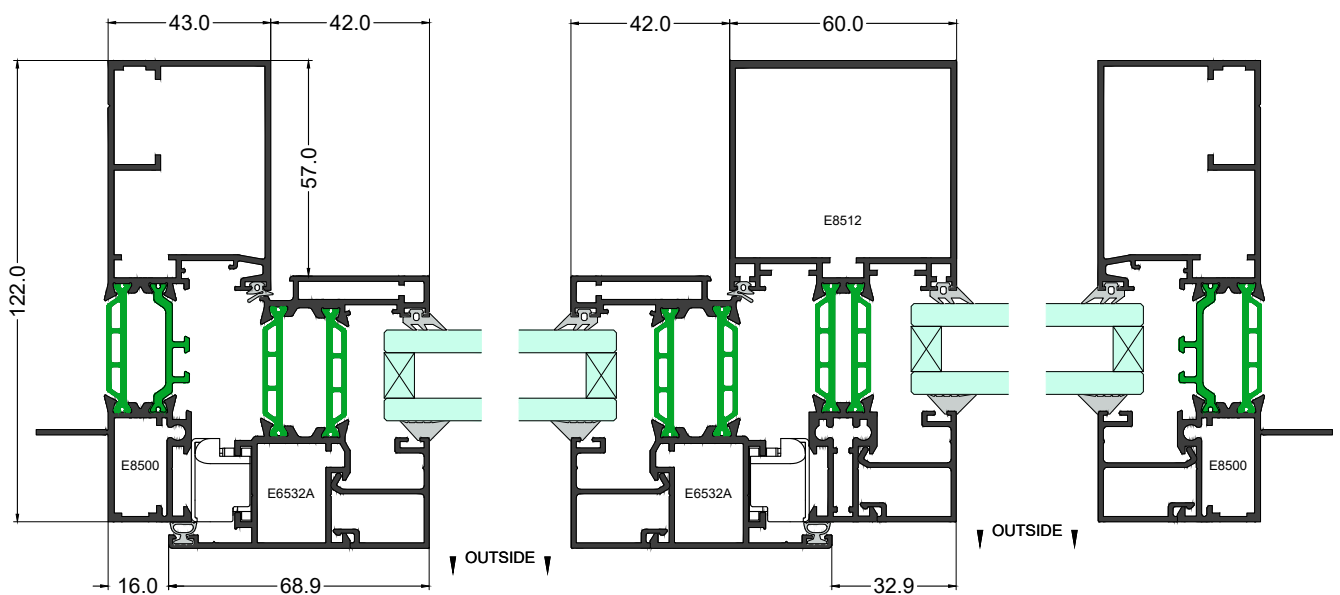


Elevation Section 7-7

Layouts

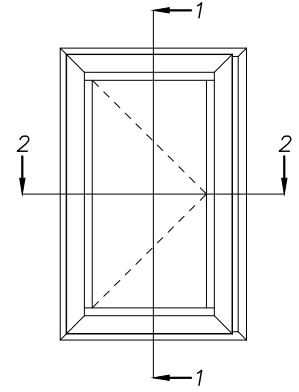
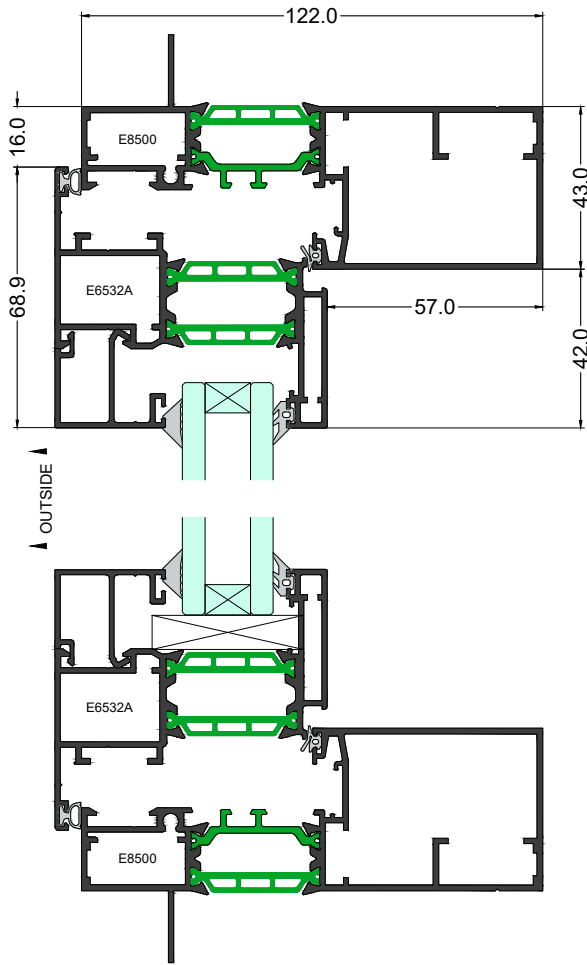


Plan Section 8-8

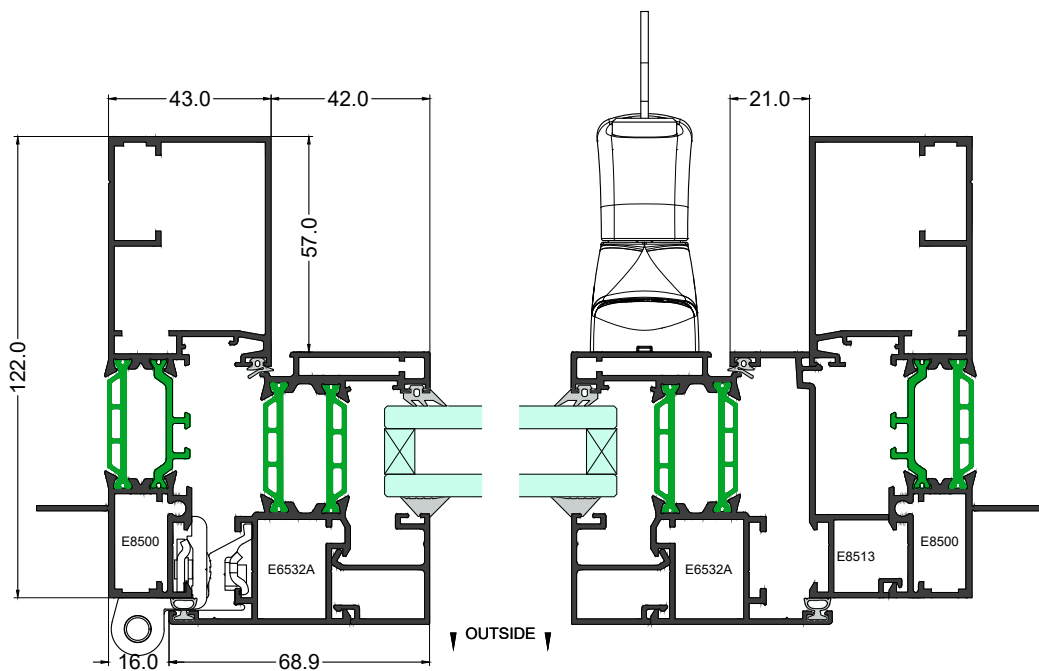


Plan Section 4-4

Layouts

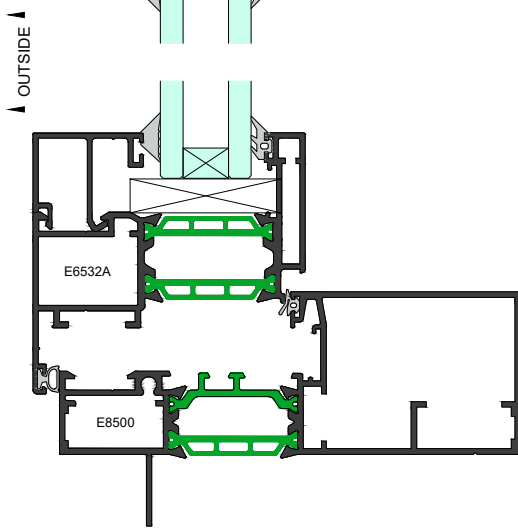
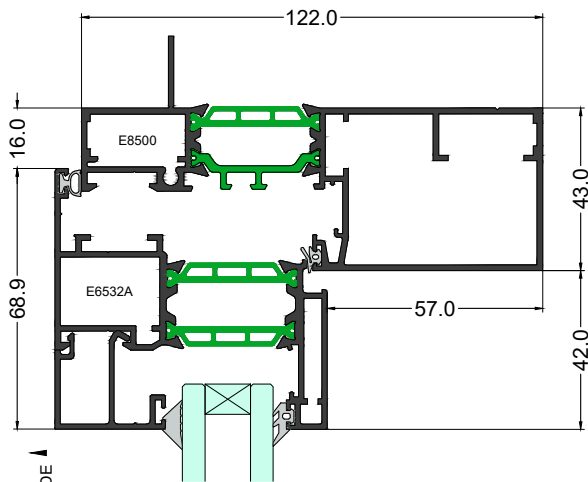


Elevation Section 1-1

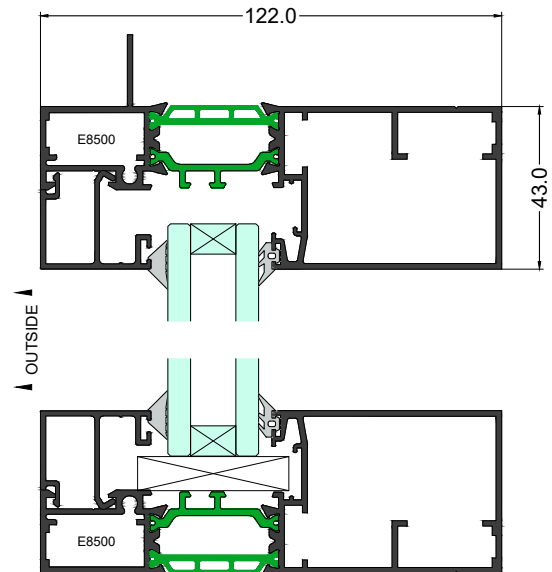
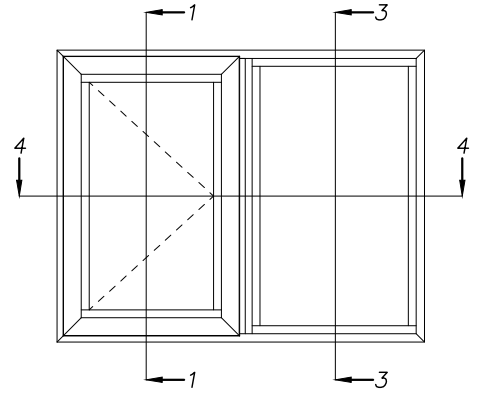


Plan Section 2-2

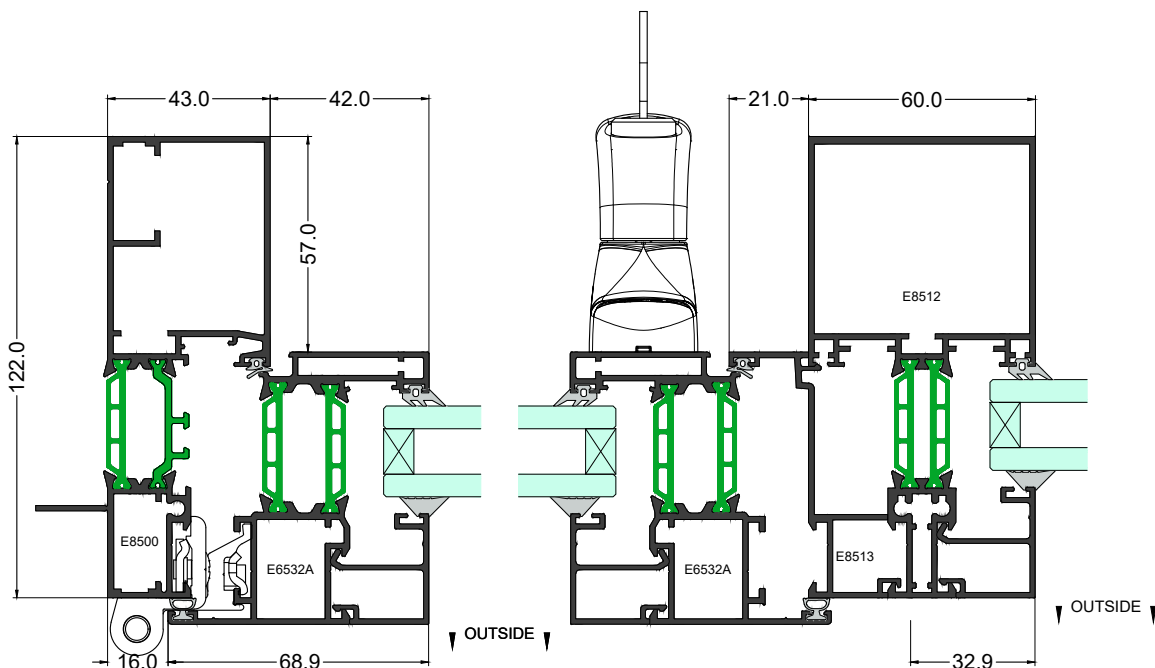
Layouts



Elevation Section 1-1

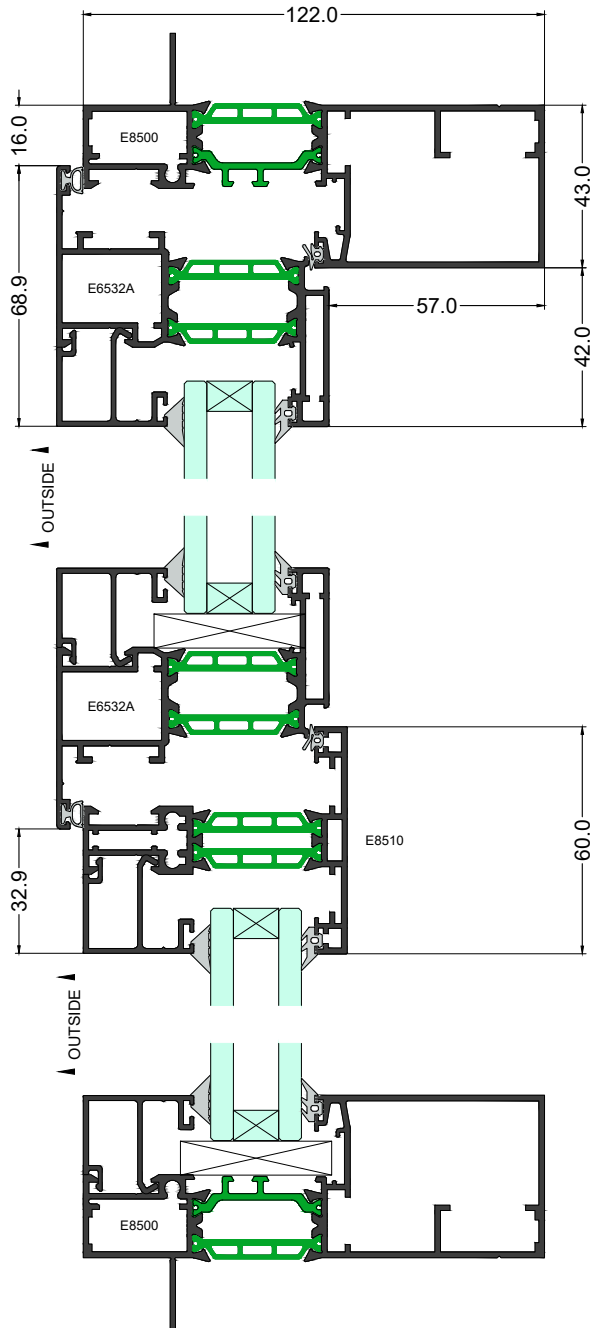
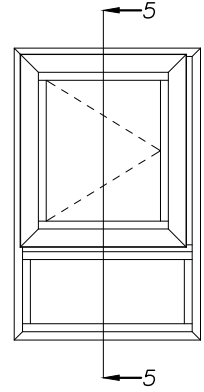


Elevation Section 3-3



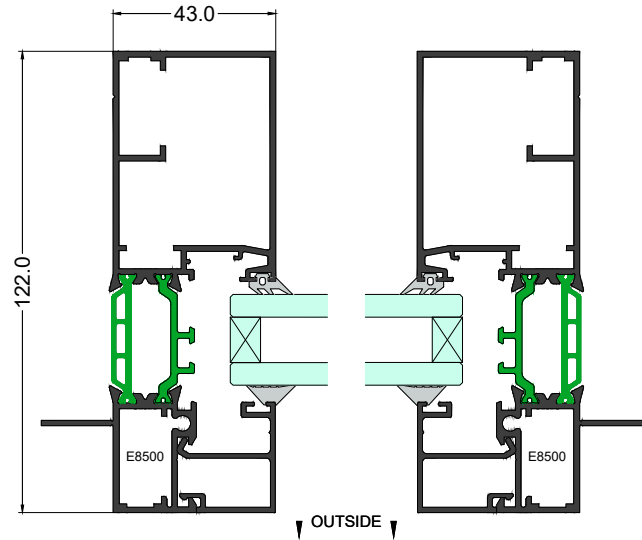
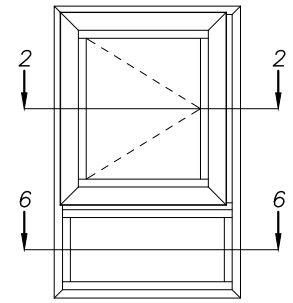
Plan Section 4-4

Layouts

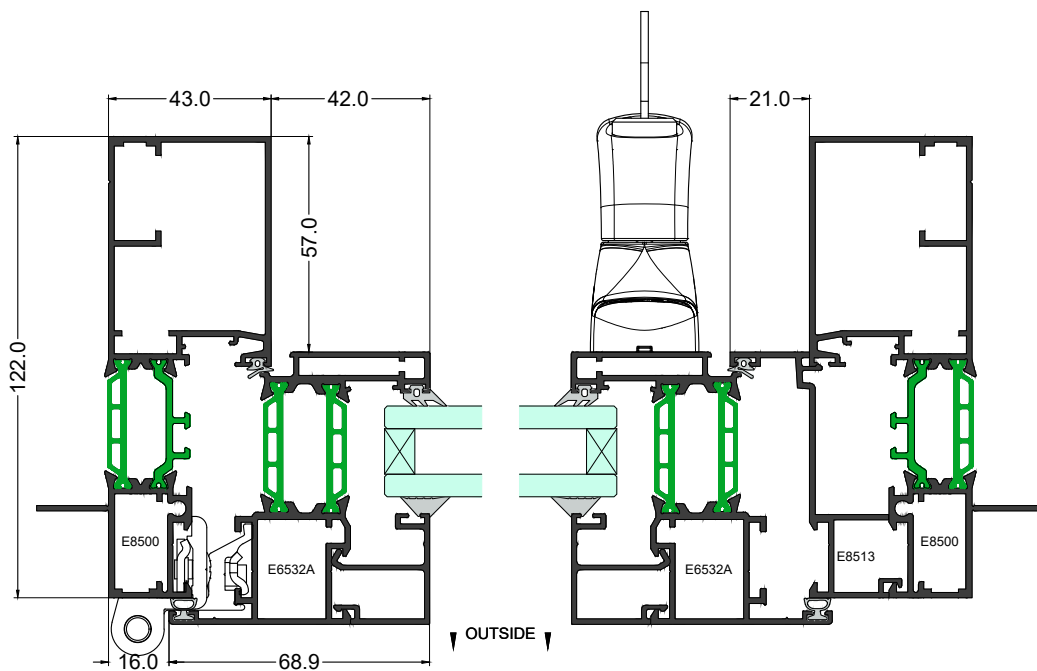


Elevation Section 5-5

Layouts

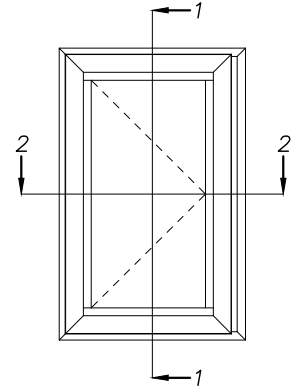
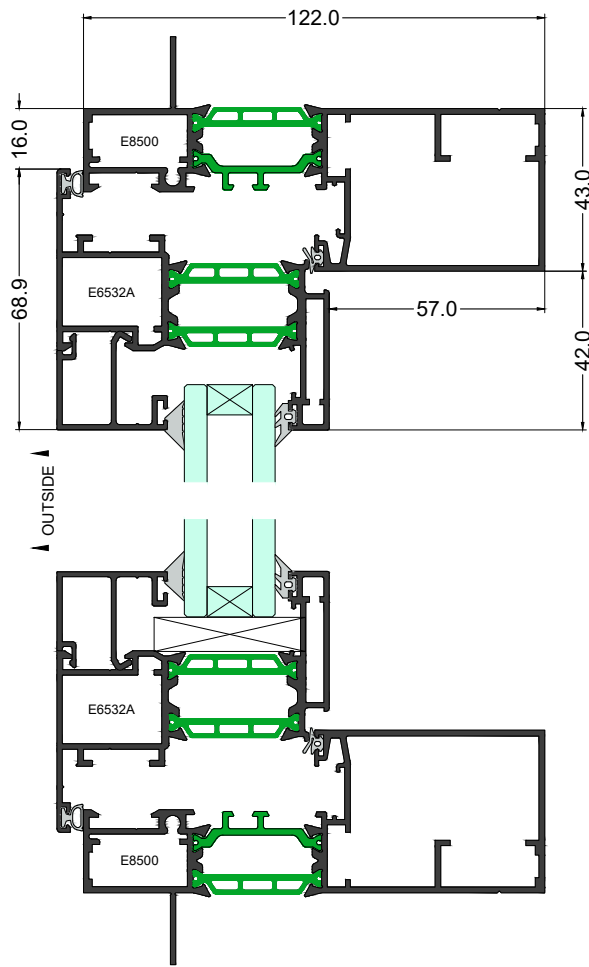


Plan Section 6-6

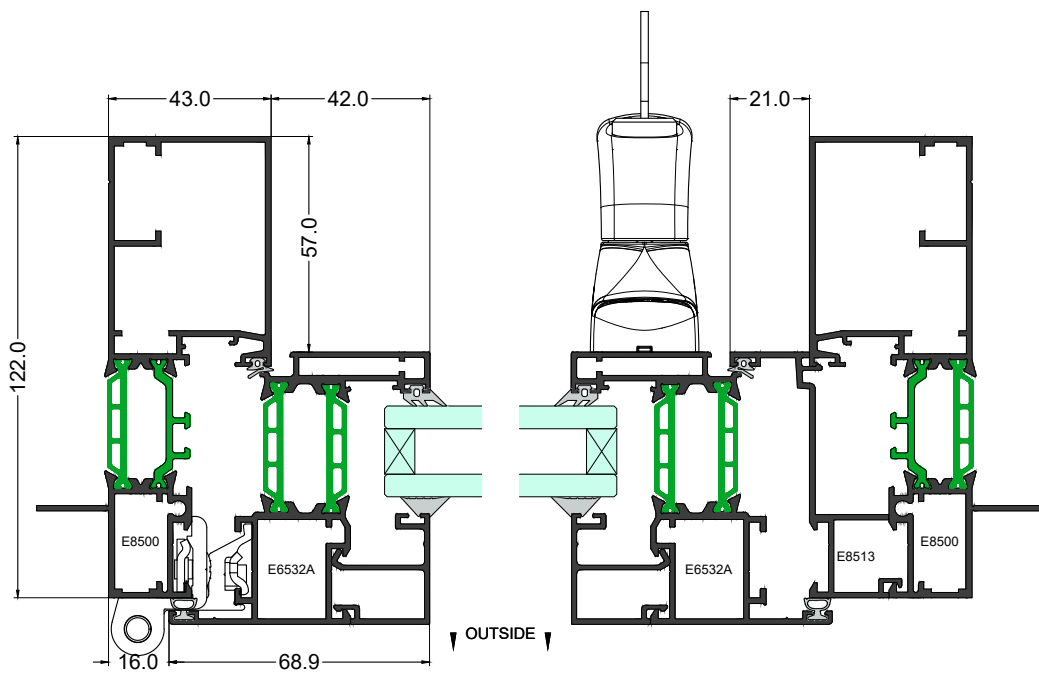


Plan Section 2-2

Layouts

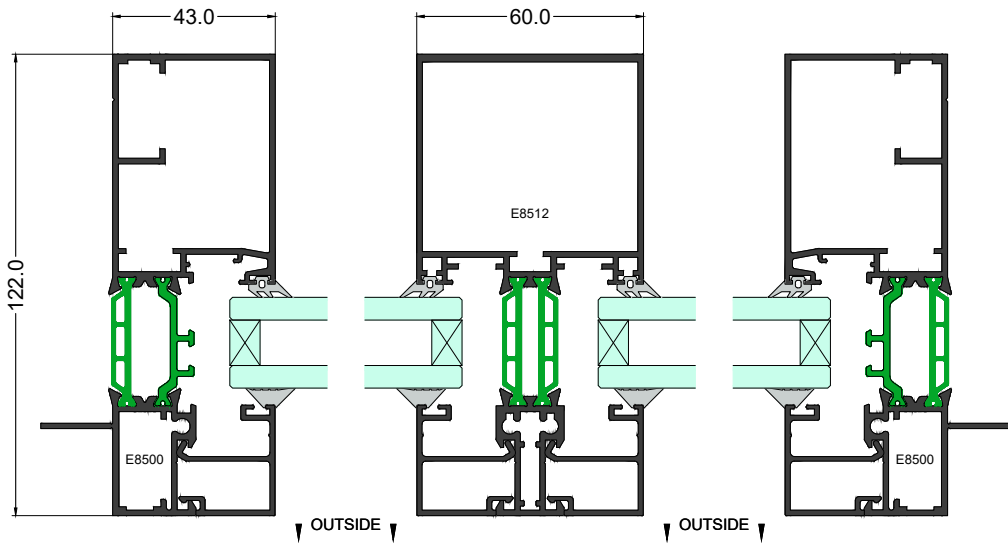
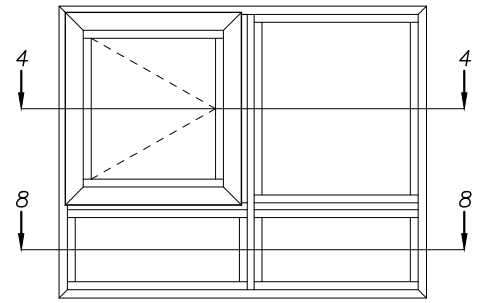


Elevation Section 1-1

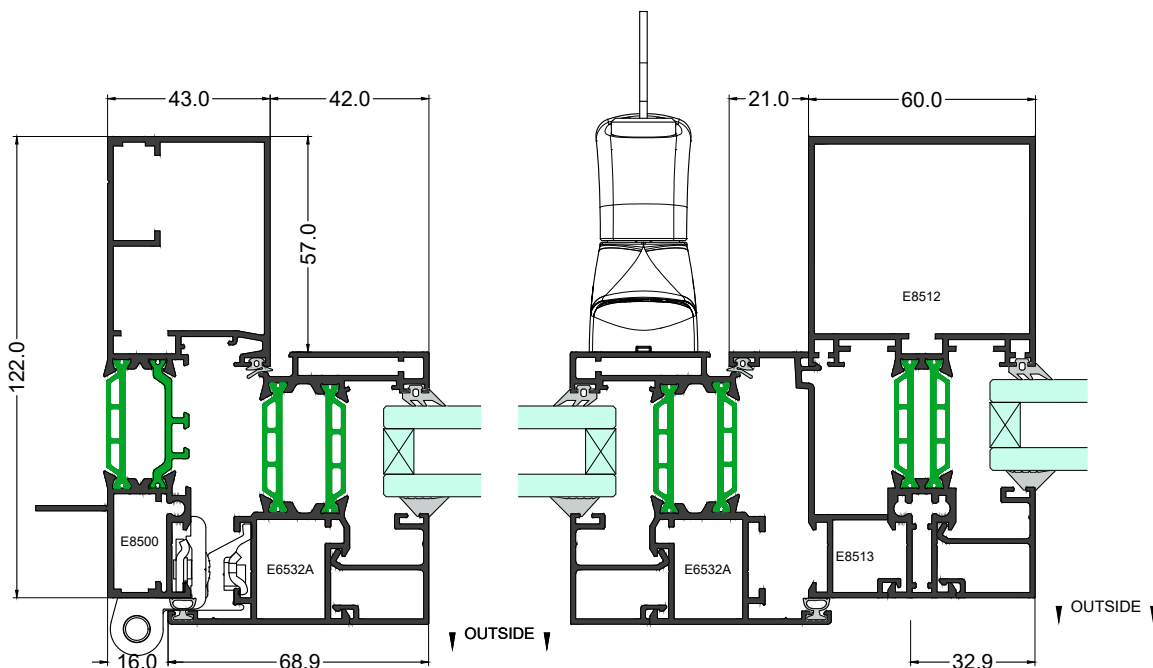


Plan Section 2-2

Layouts

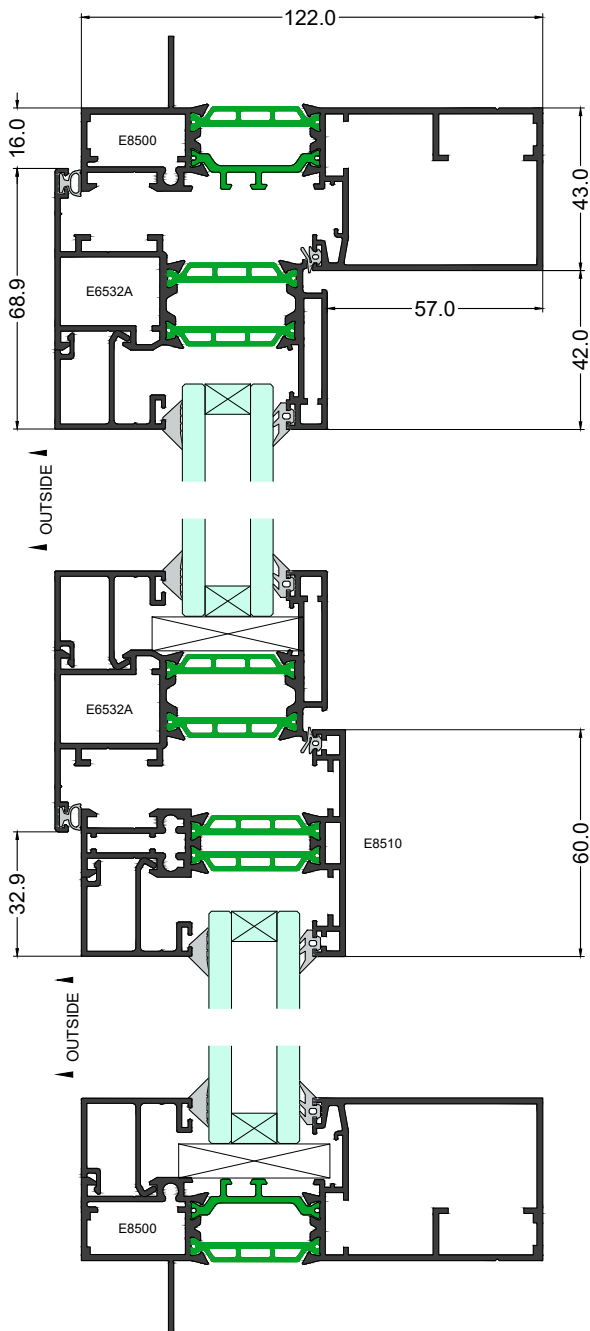
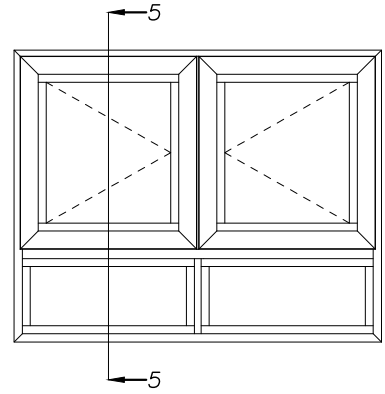


Plan Section 8-8



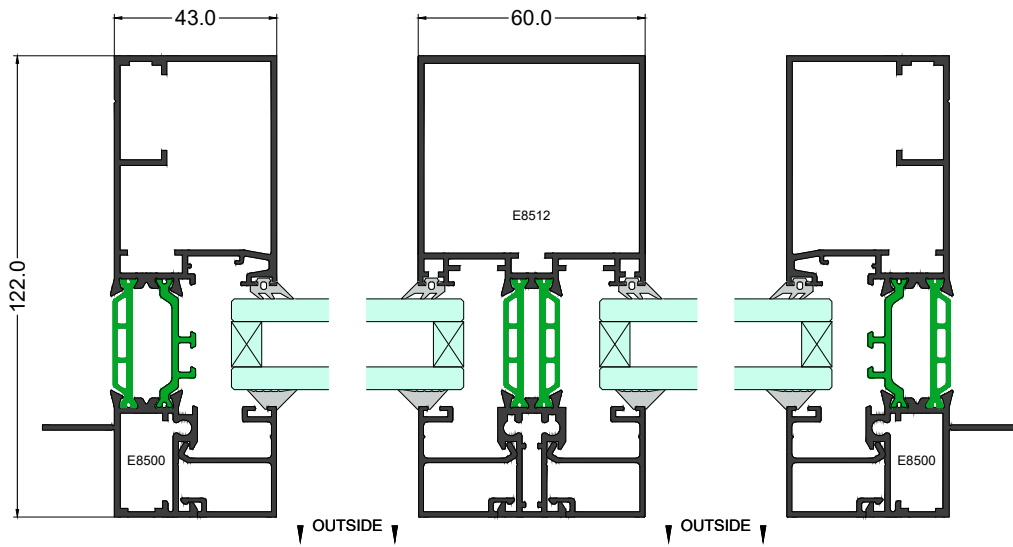
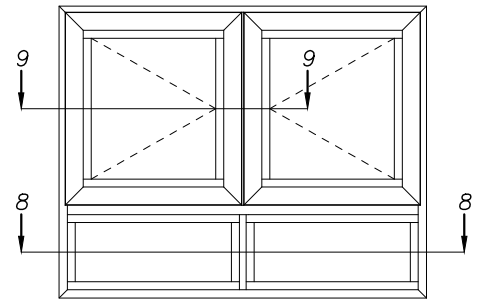
Plan Section 4-4

Layouts

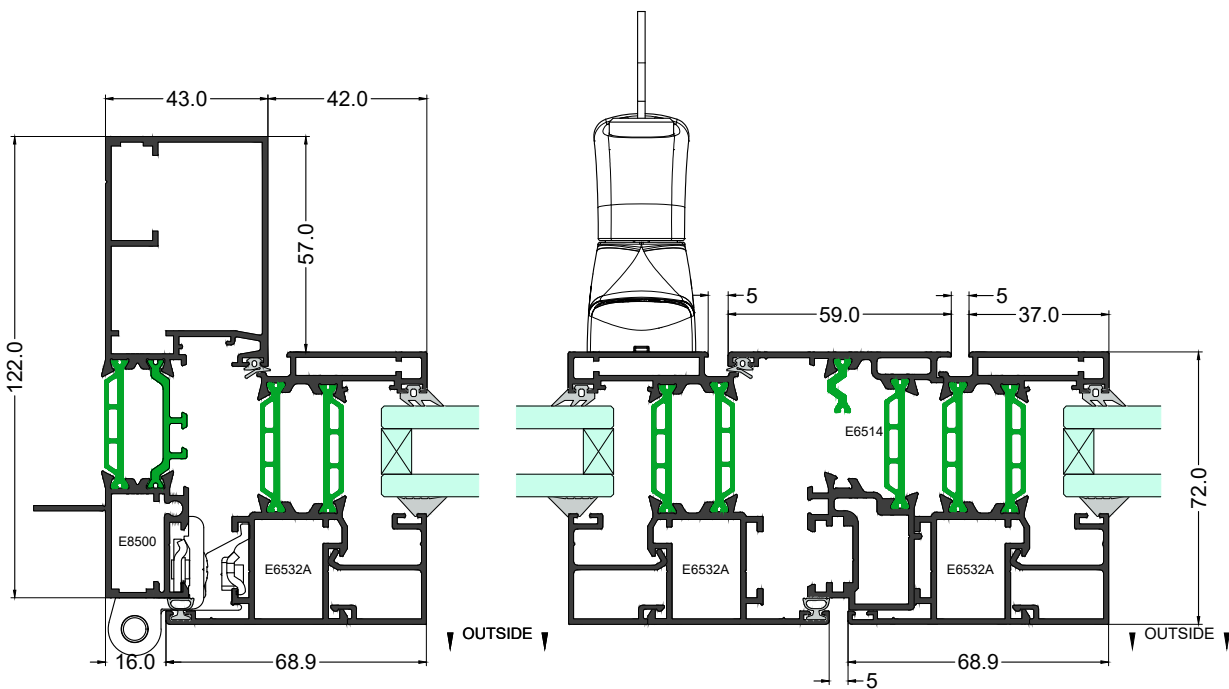


Elevation Section 5-5

Layouts



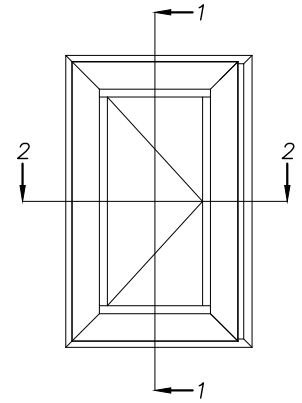
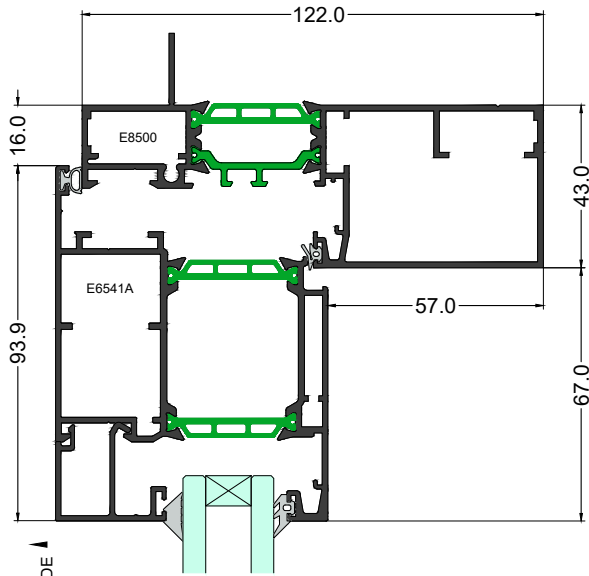
Plan Section 8-8



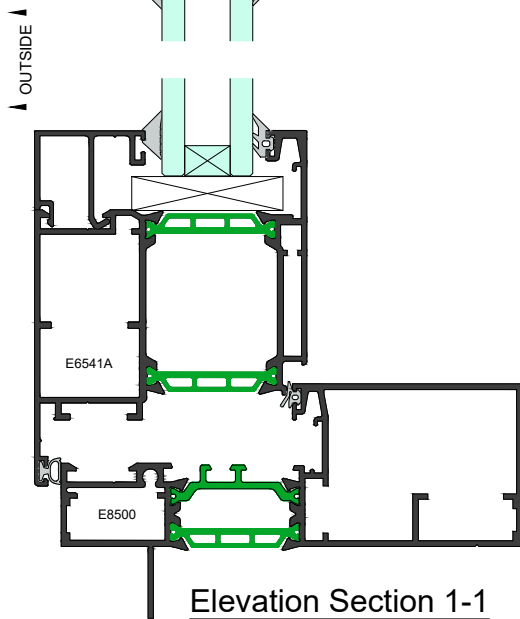
Plan Section 9-9

Layouts

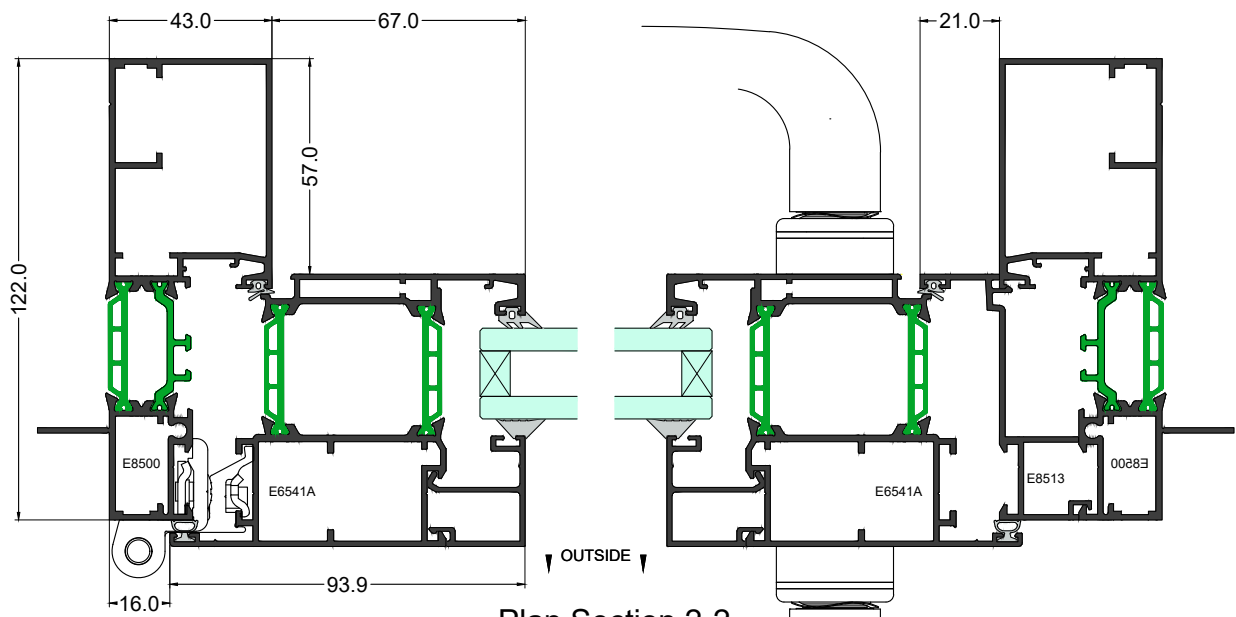
(OPEN OUT)



OUTWARD OPEN



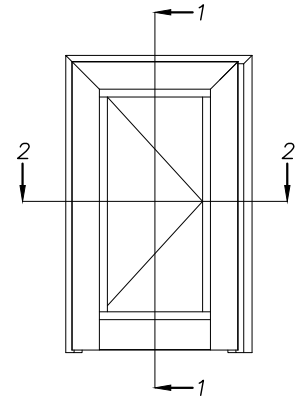
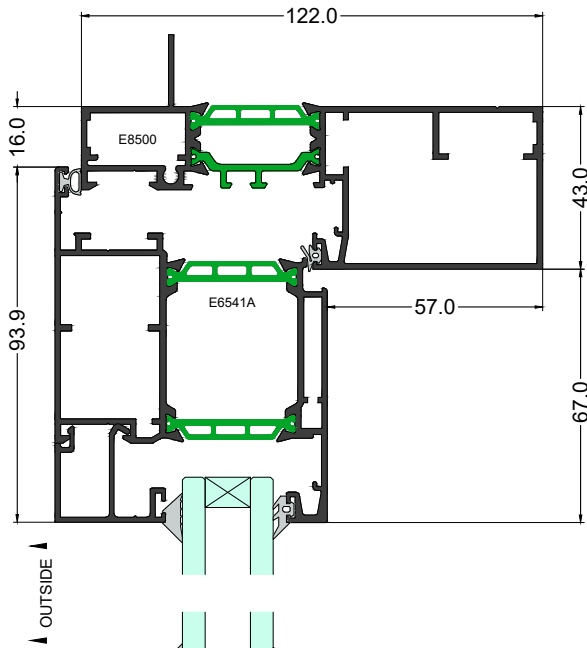
Elevation Section 1-1



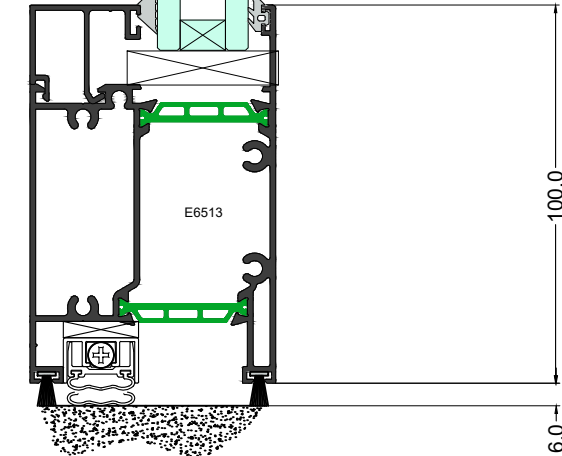
Plan Section 2-2

Layouts

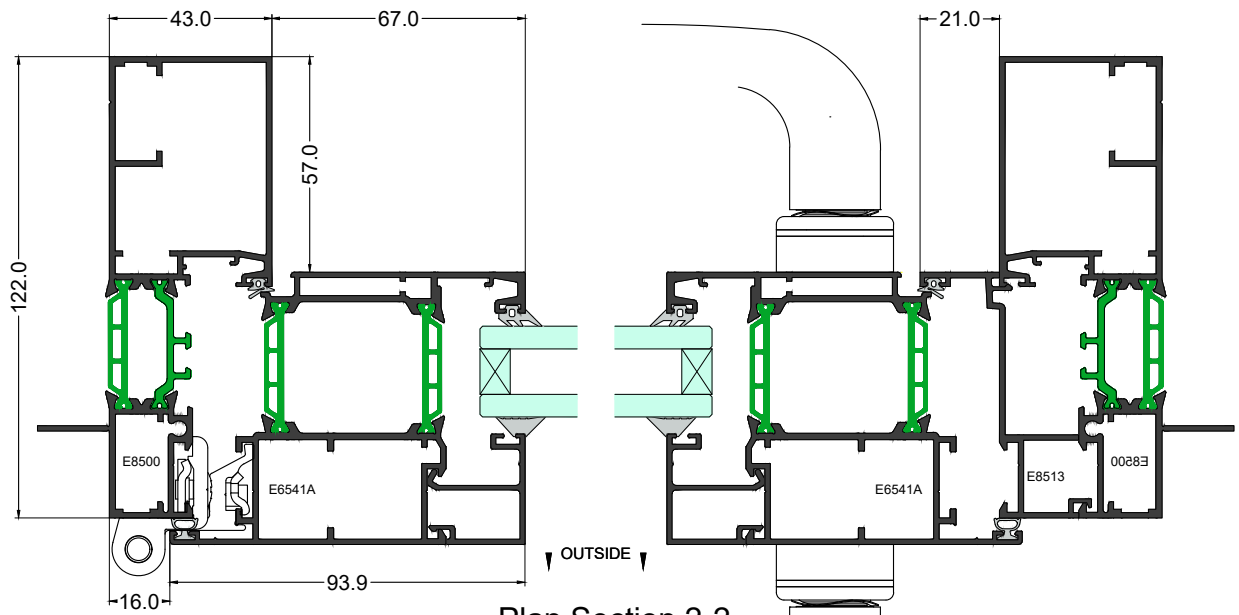
(OPEN OUT)



OUTWARD OPEN



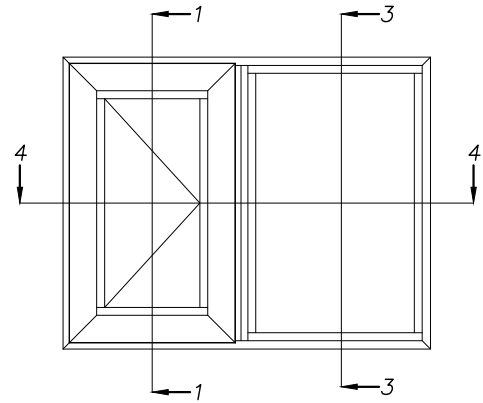
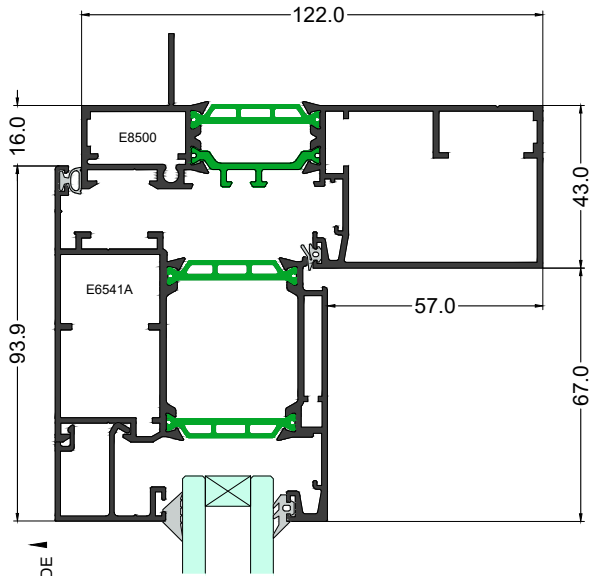
Elevation Section 1-1



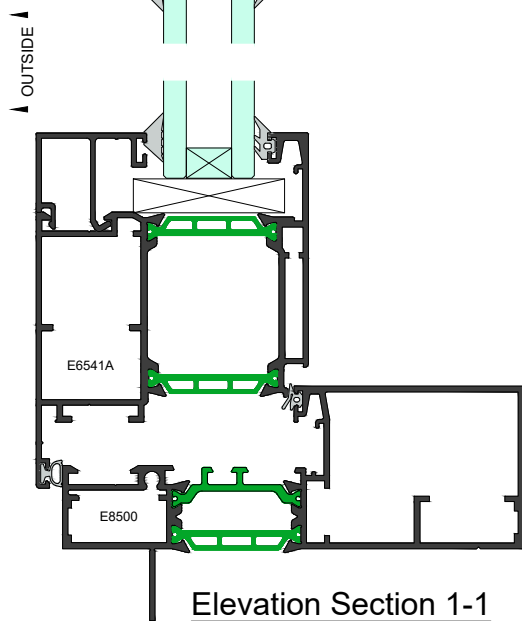
Plan Section 2-2

Layouts

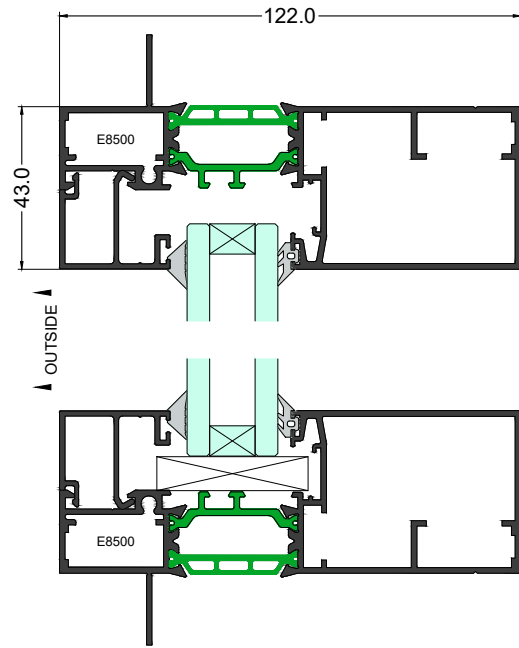
(OPEN OUT)



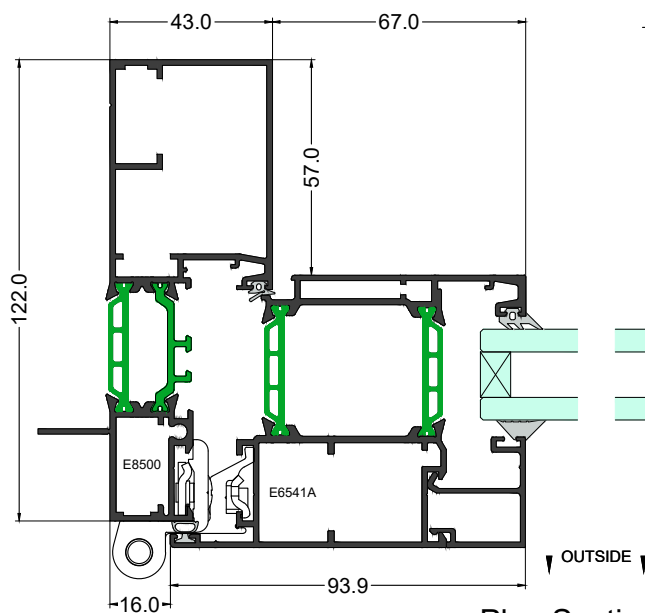
OUTWARD OPEN



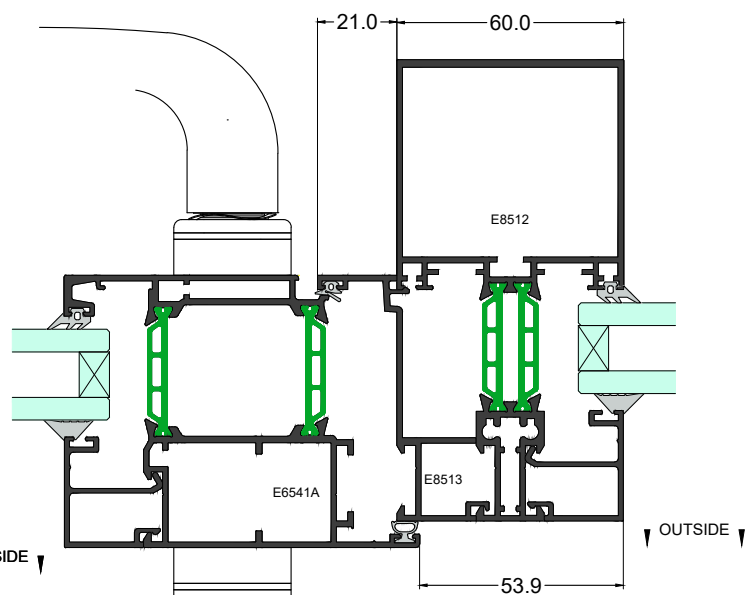
Elevation Section 1-1



Elevation Section 3-3

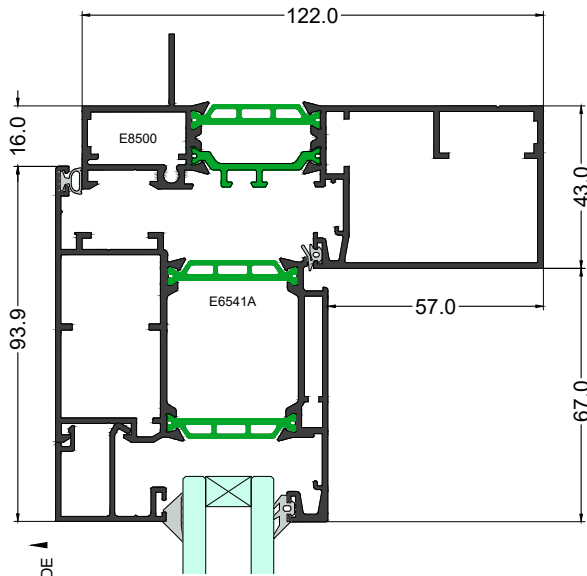


Plan Section 4-4

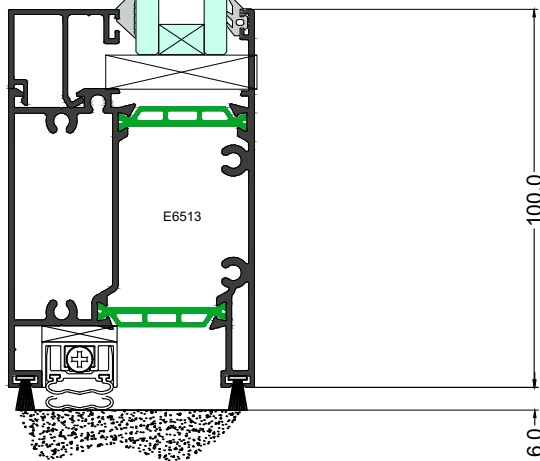


Layouts

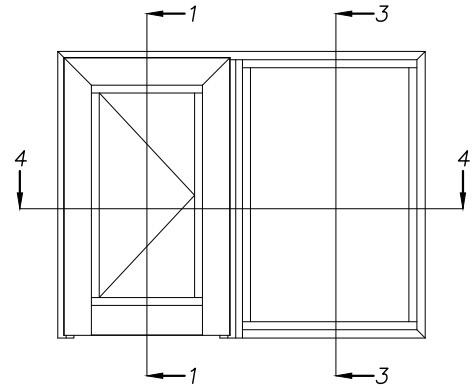
(OPEN OUT)



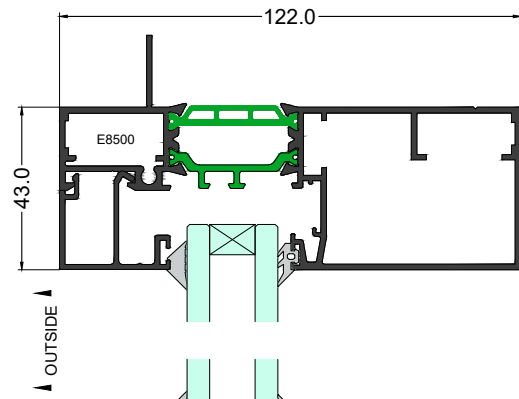
↑ OUTSIDE



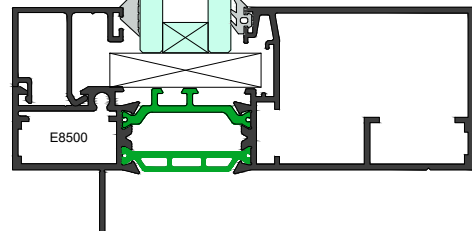
Elevation Section 1-1



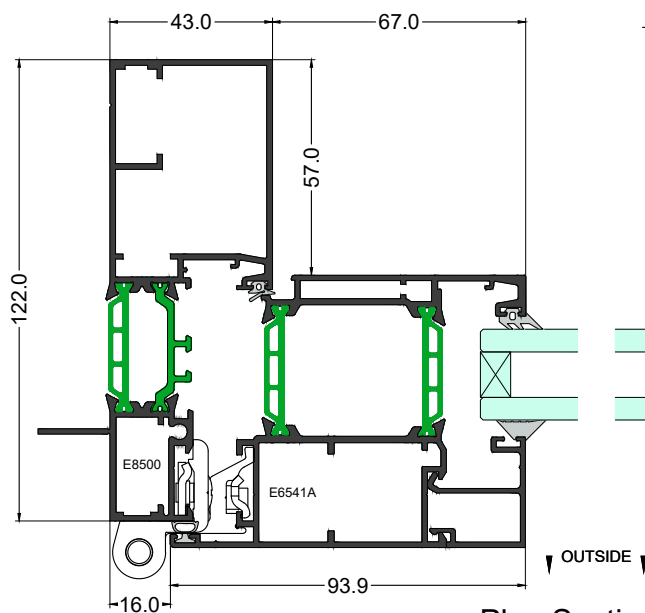
OUTWARD OPEN



↑ OUTSIDE

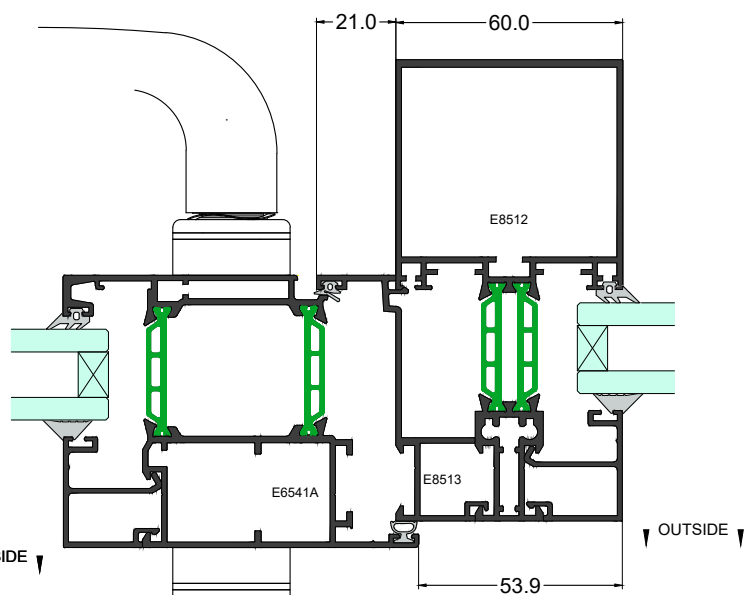


Elevation Section 3-3



↓ OUTSIDE ↓

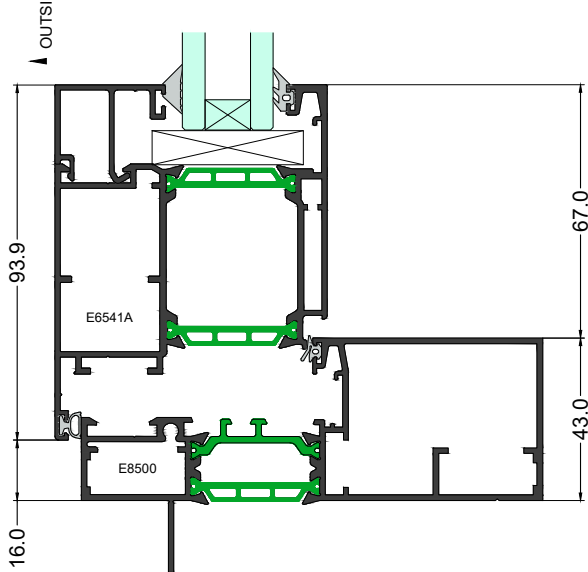
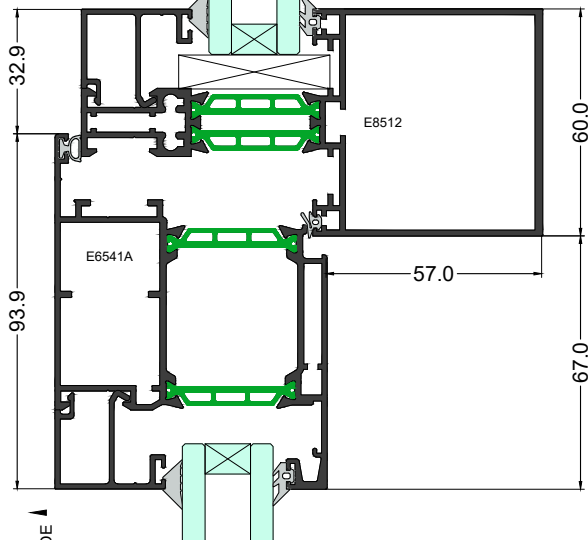
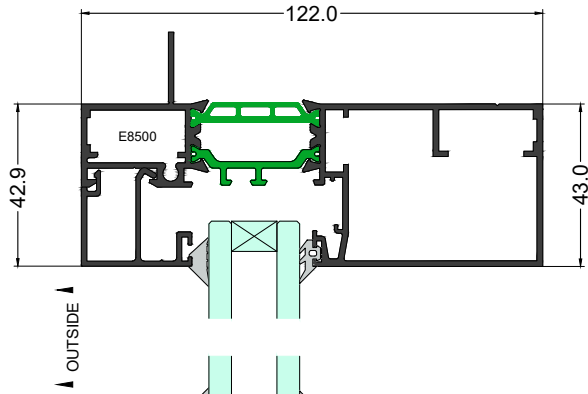
Plan Section 4-4



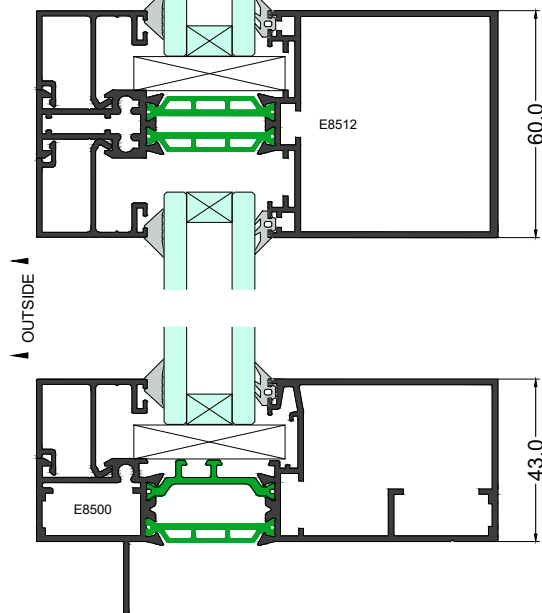
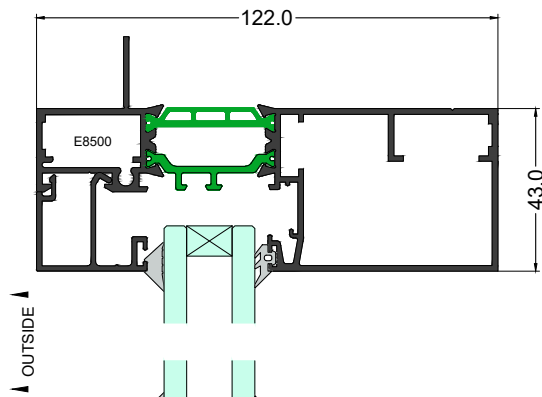
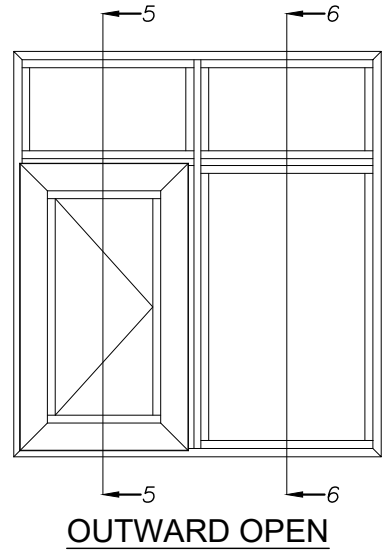
↓ OUTSIDE ↓

Layouts

(OPEN OUT)



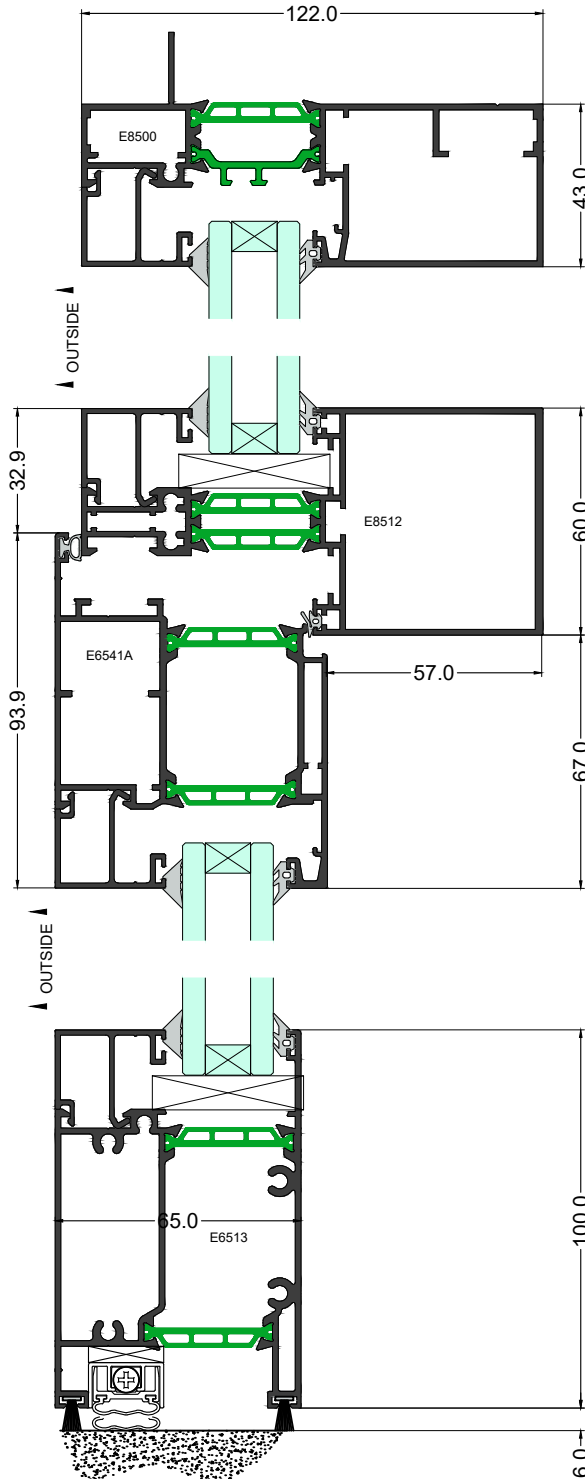
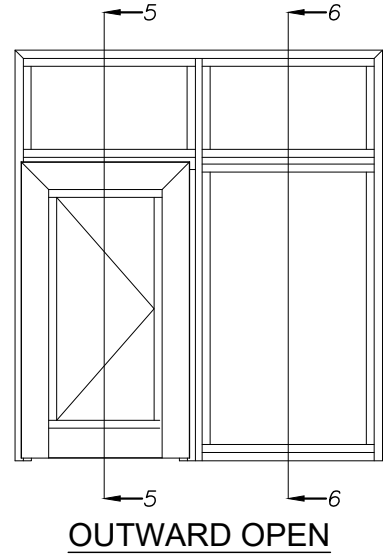
Elevation Section 5-5



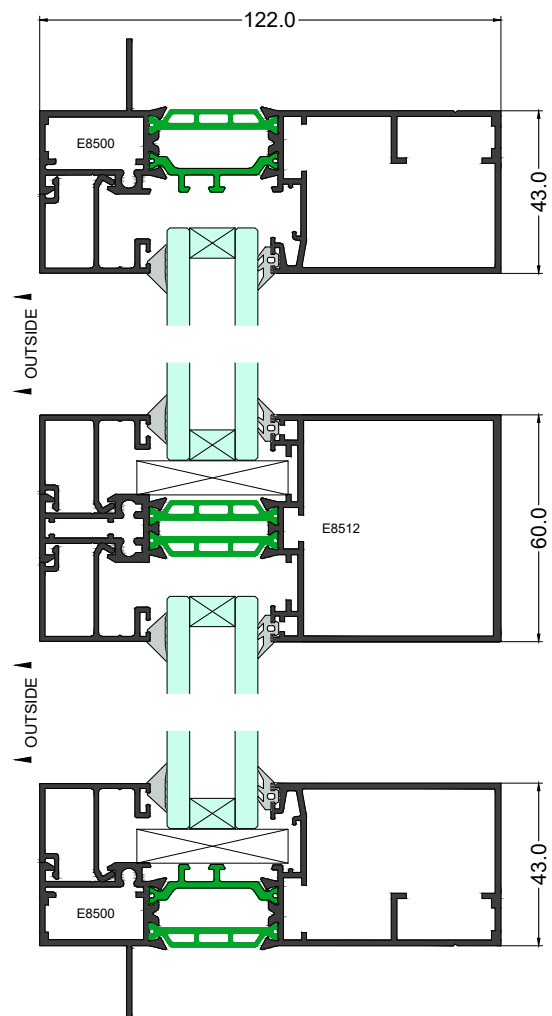
Elevation Section 6-6

Layouts

(OPEN OUT)



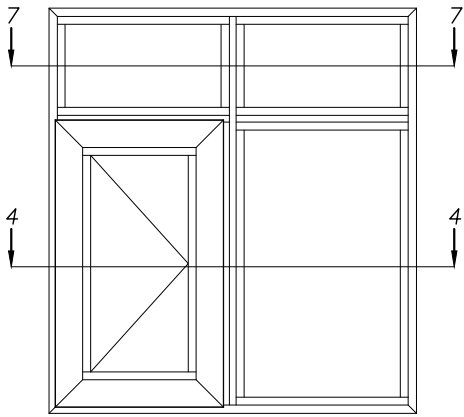
Elevation Section 5-5



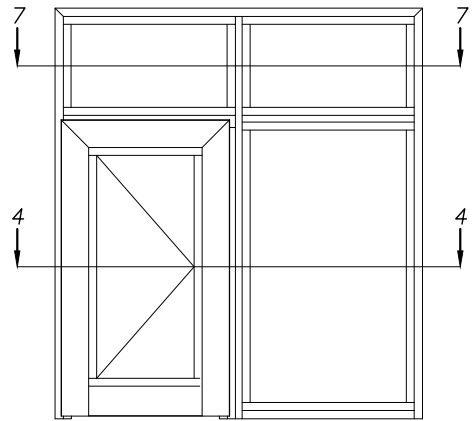
Elevation Section 6-6

Layouts

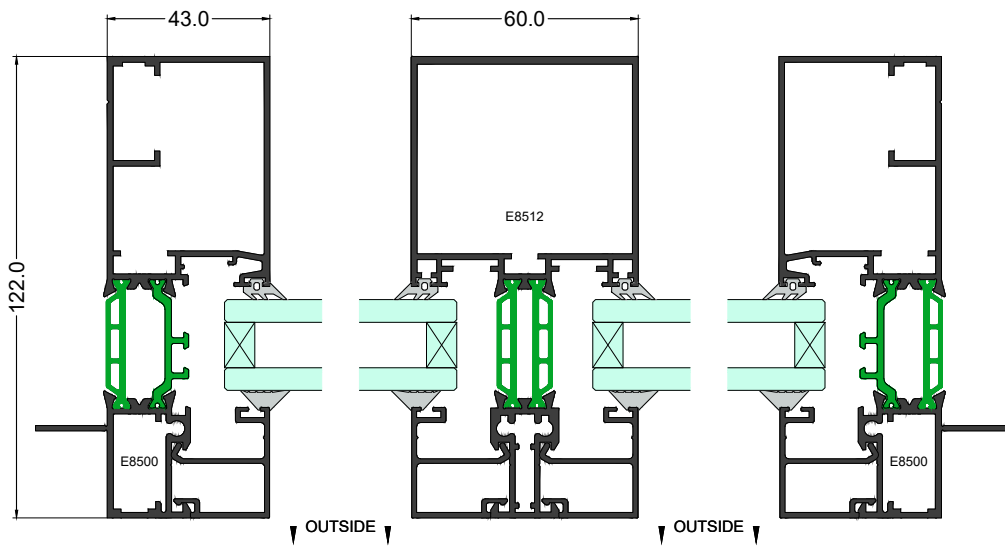
(OPEN OUT)



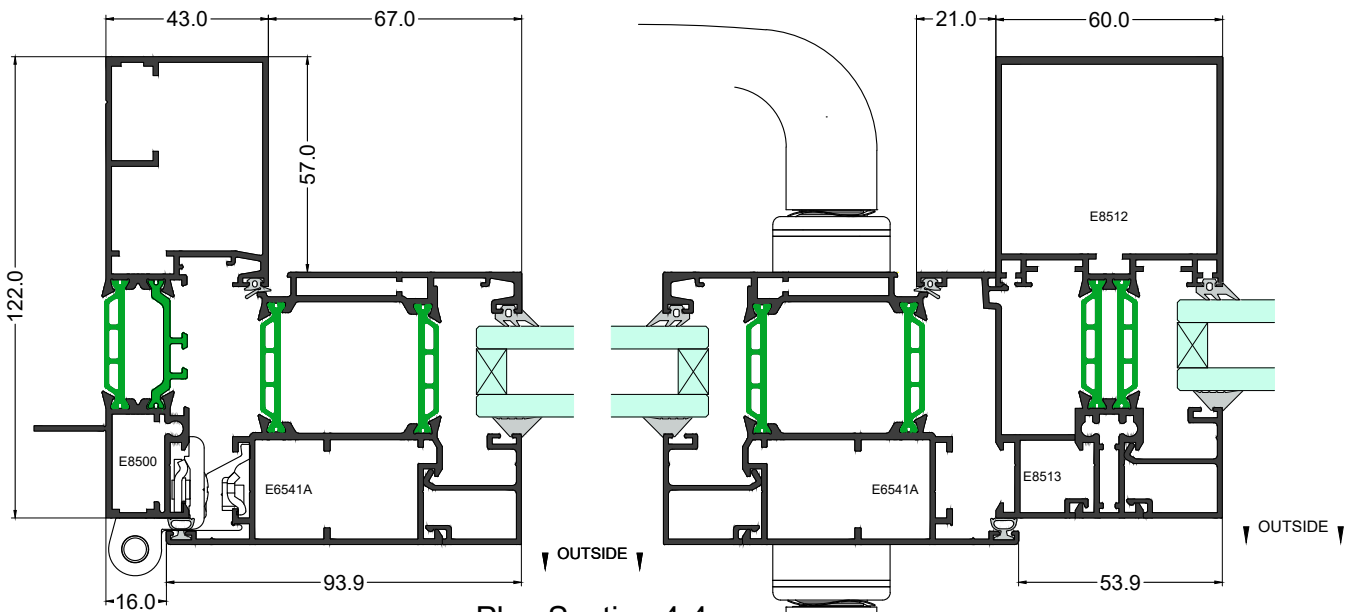
OUTWARD OPEN



OUTWARD OPEN



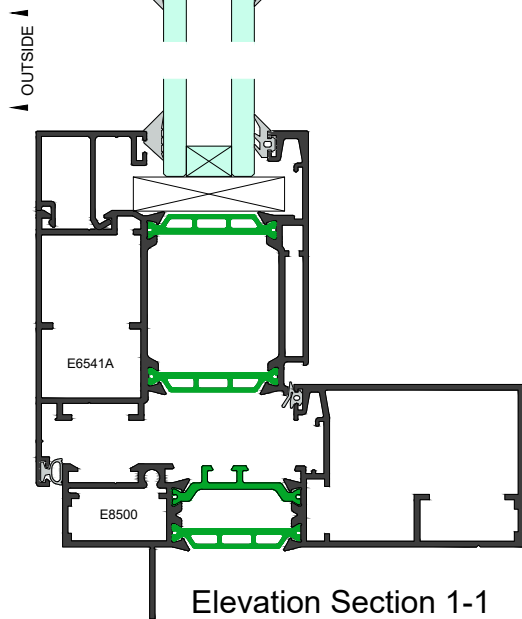
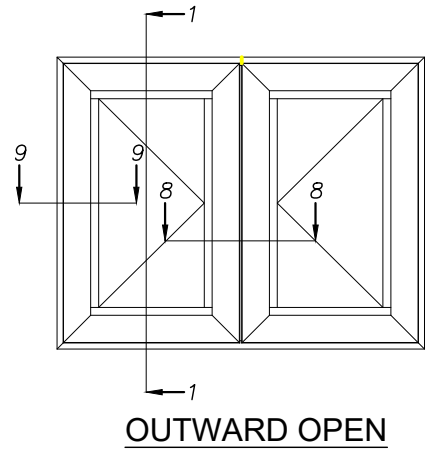
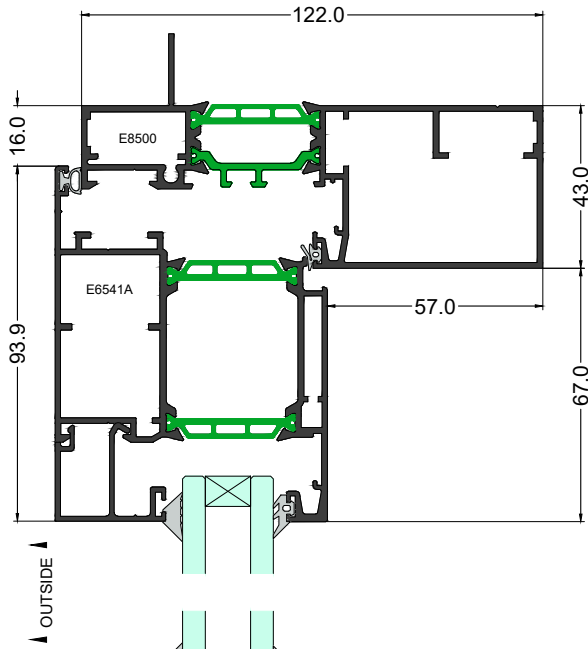
Plan Section 7-7



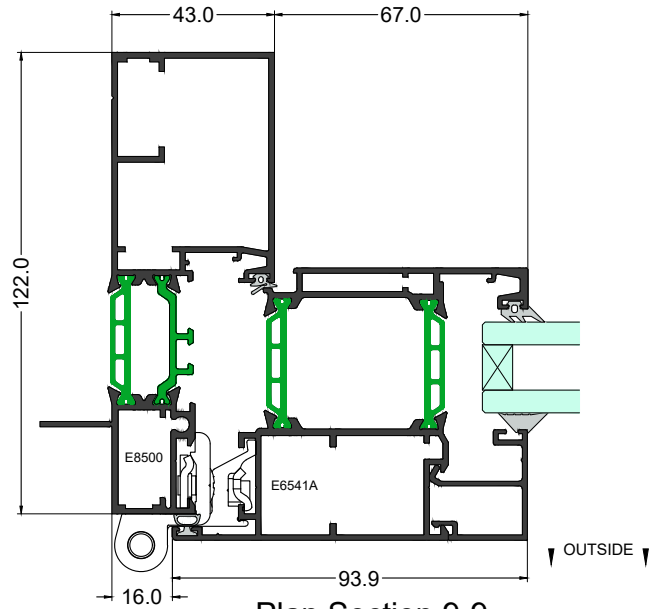
Plan Section 4-4

Layouts

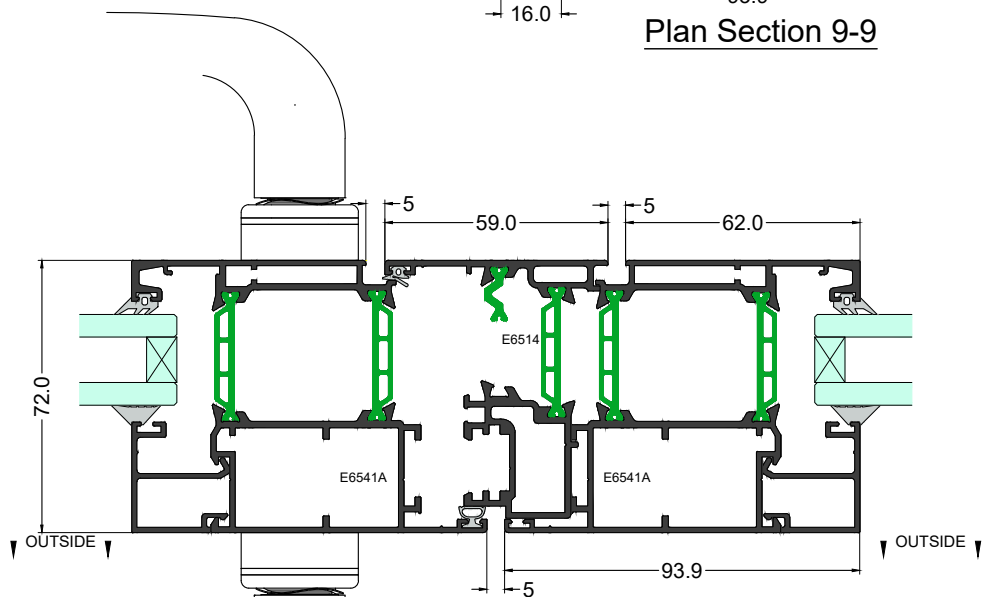
(OPEN OUT)



Elevation Section 1-1



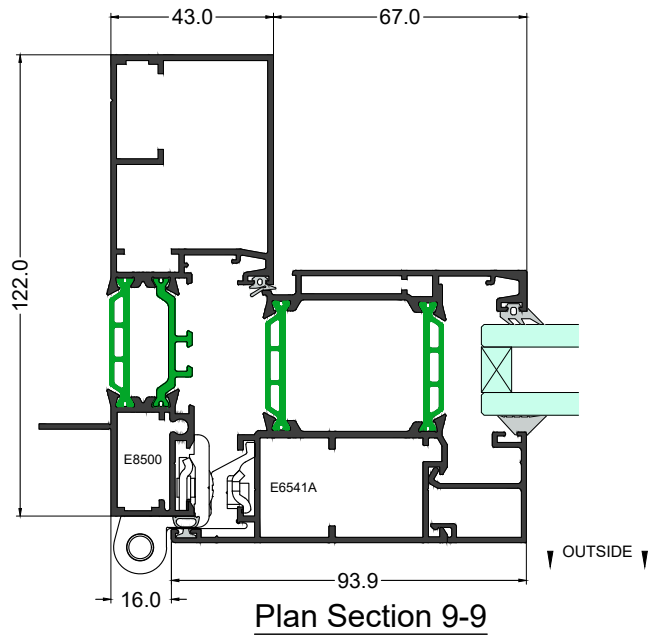
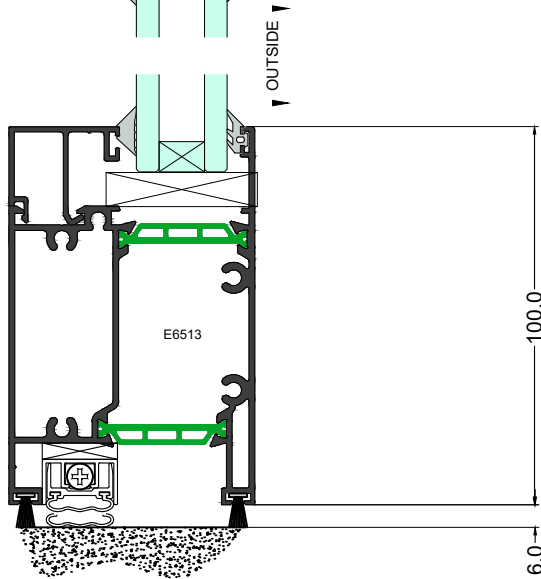
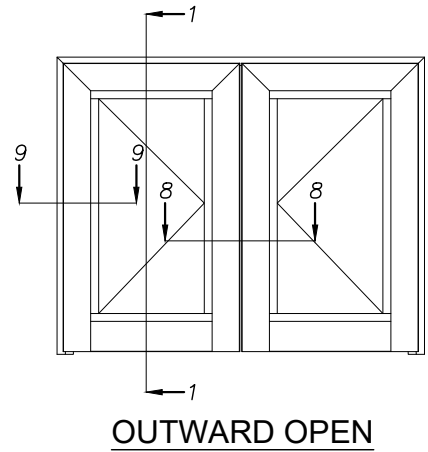
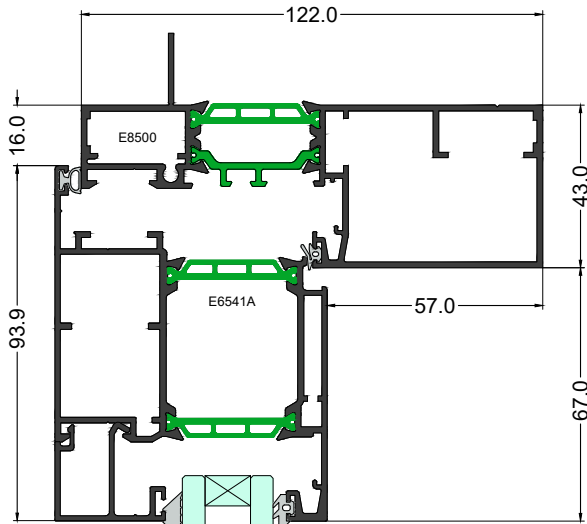
Plan Section 9-9



Plan Section 8-8

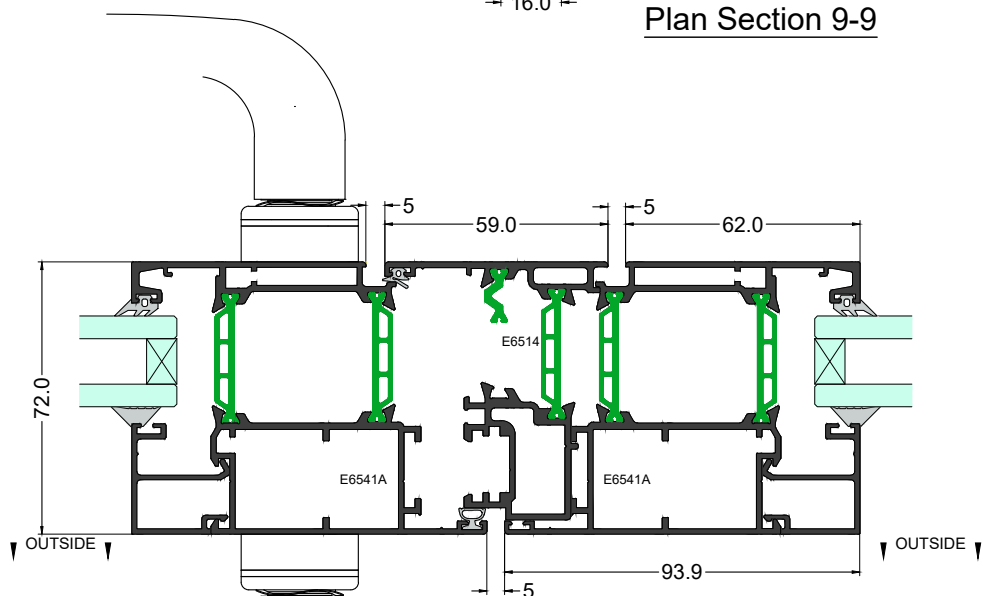
Layouts

(OPEN OUT)



Elevation Section 1-1

Plan Section 9-9



Plan Section 8-8