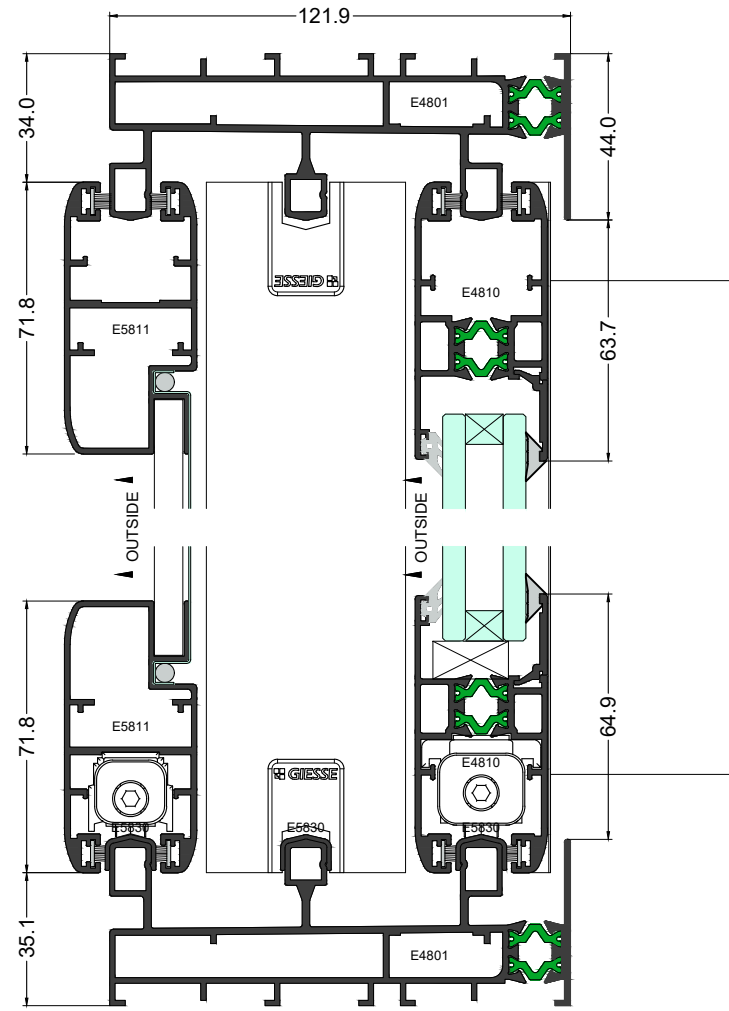
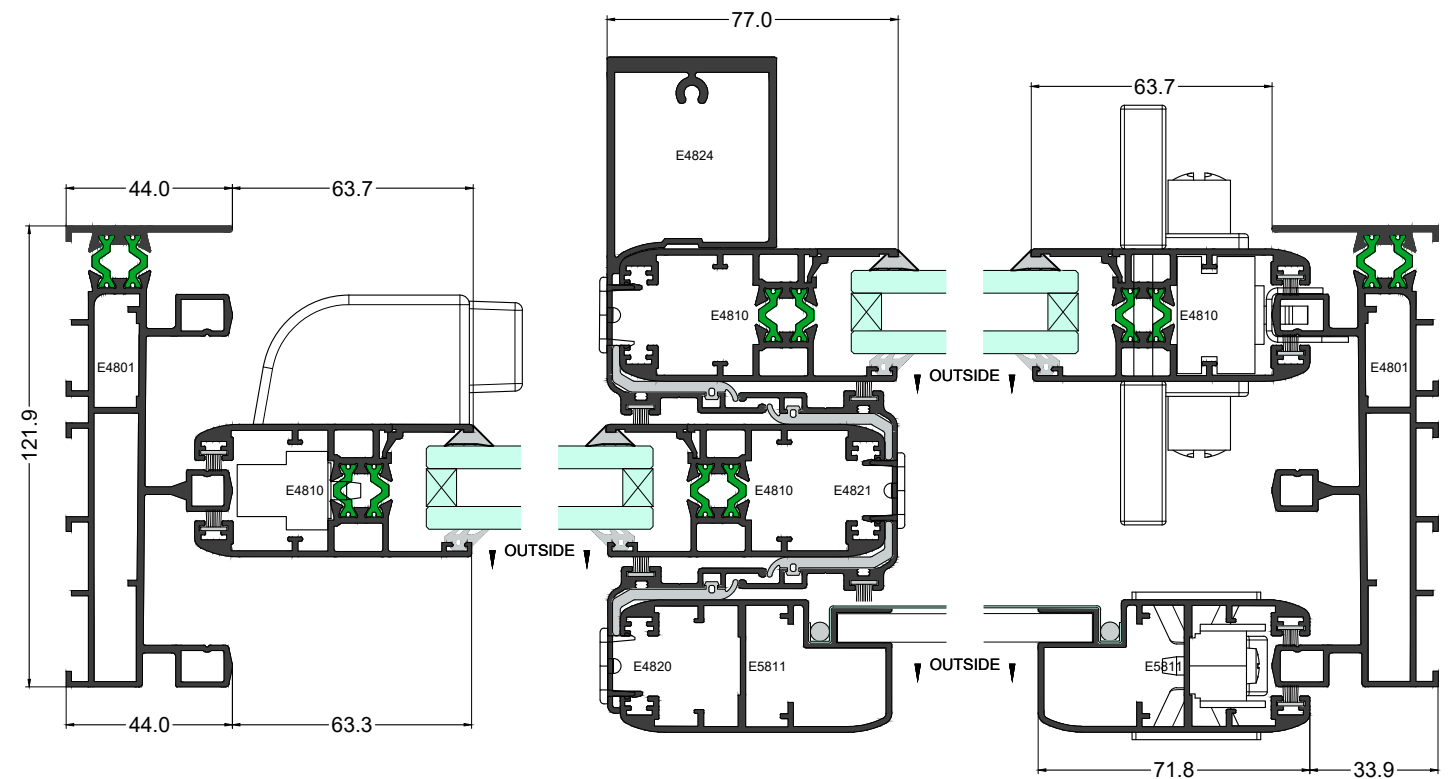
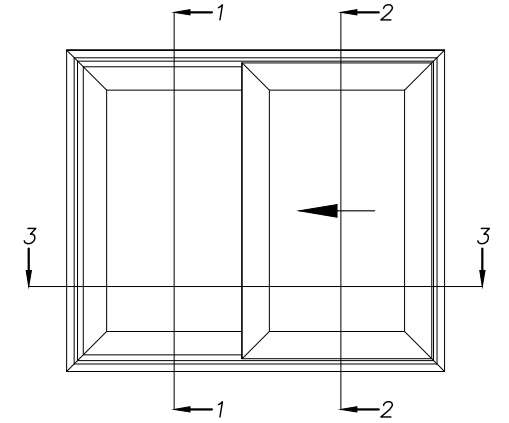


Elevation Section 1-1



Elevation Section 2-2



Plan Section 3-3

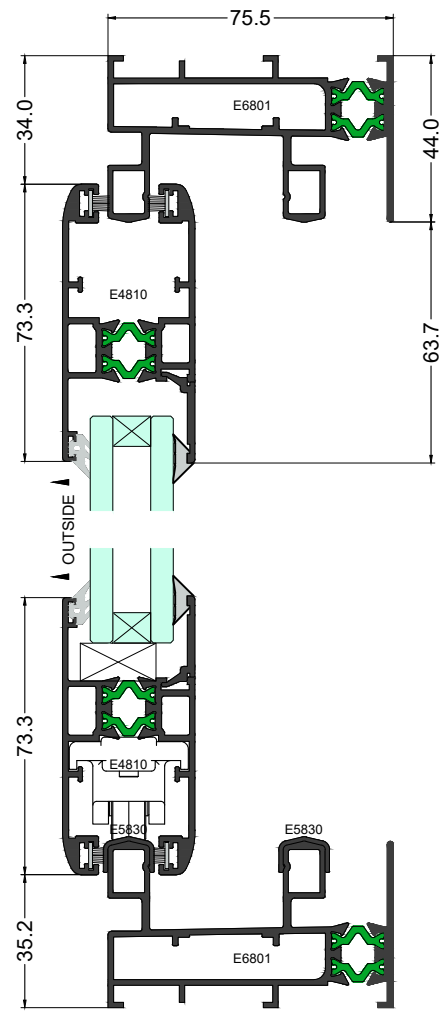
EC95TB

Layouts

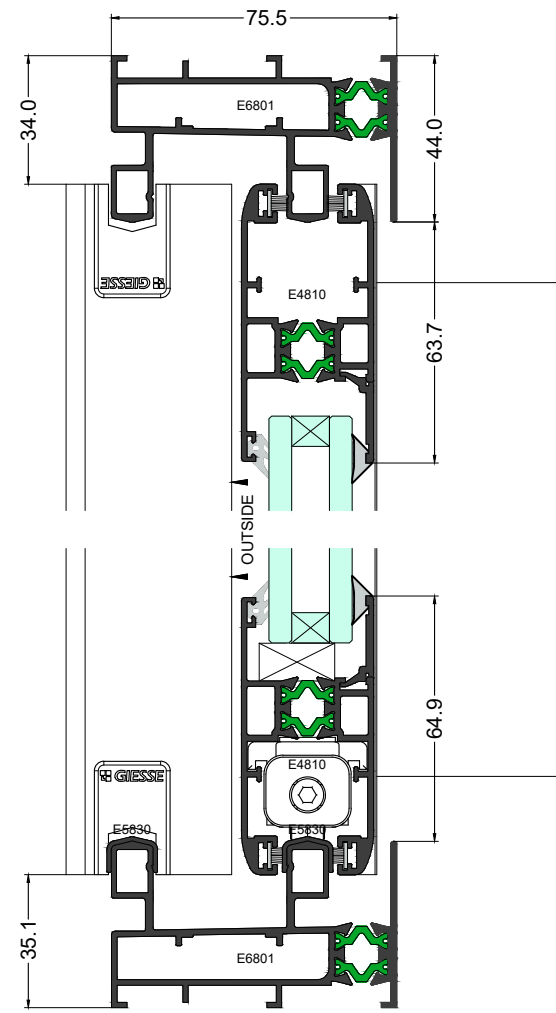
SLIDING

2 TRACKS

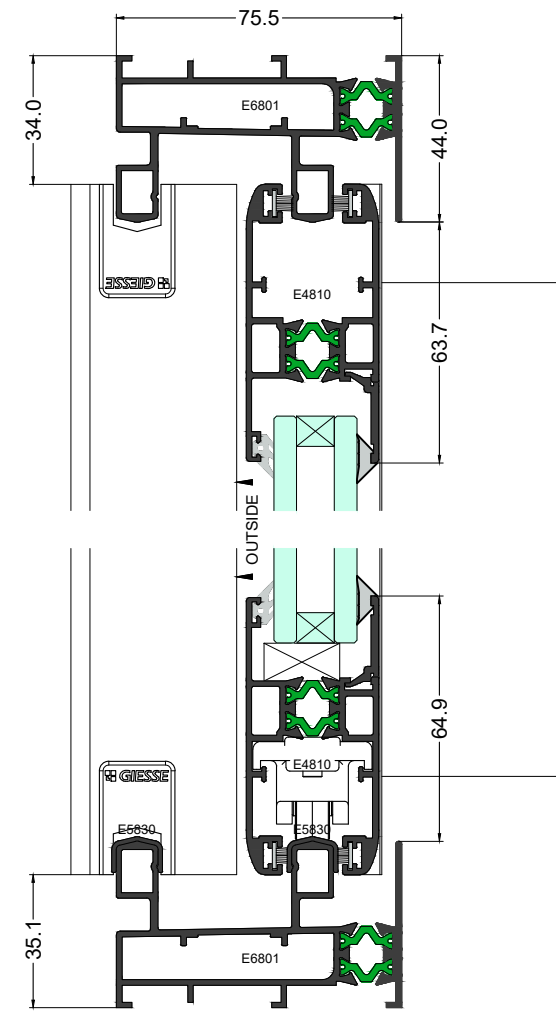
THERMECO™



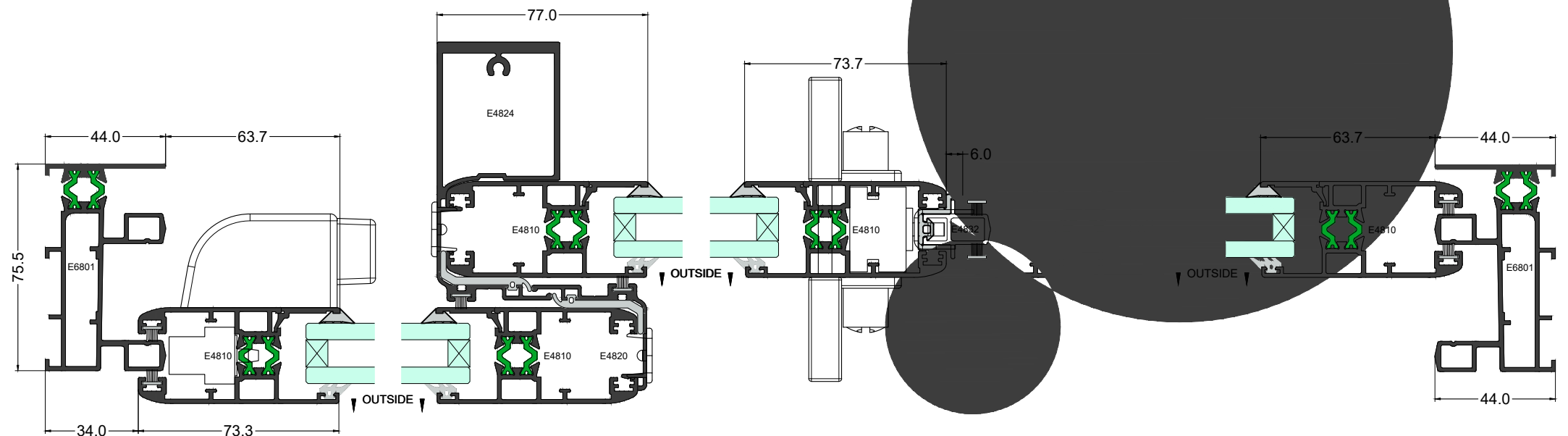
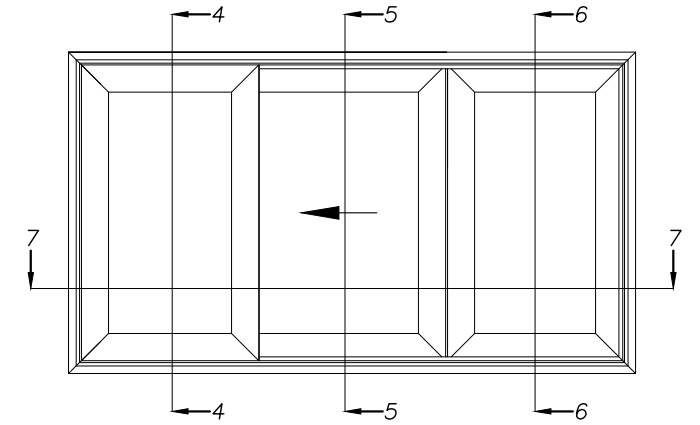
Elevation Section 4-4



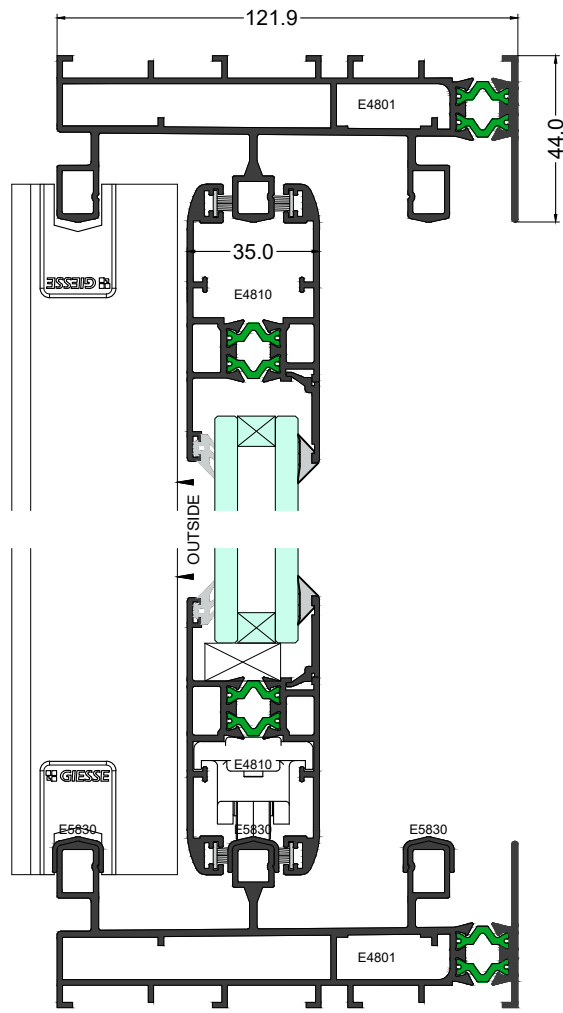
Elevation Section 5-5



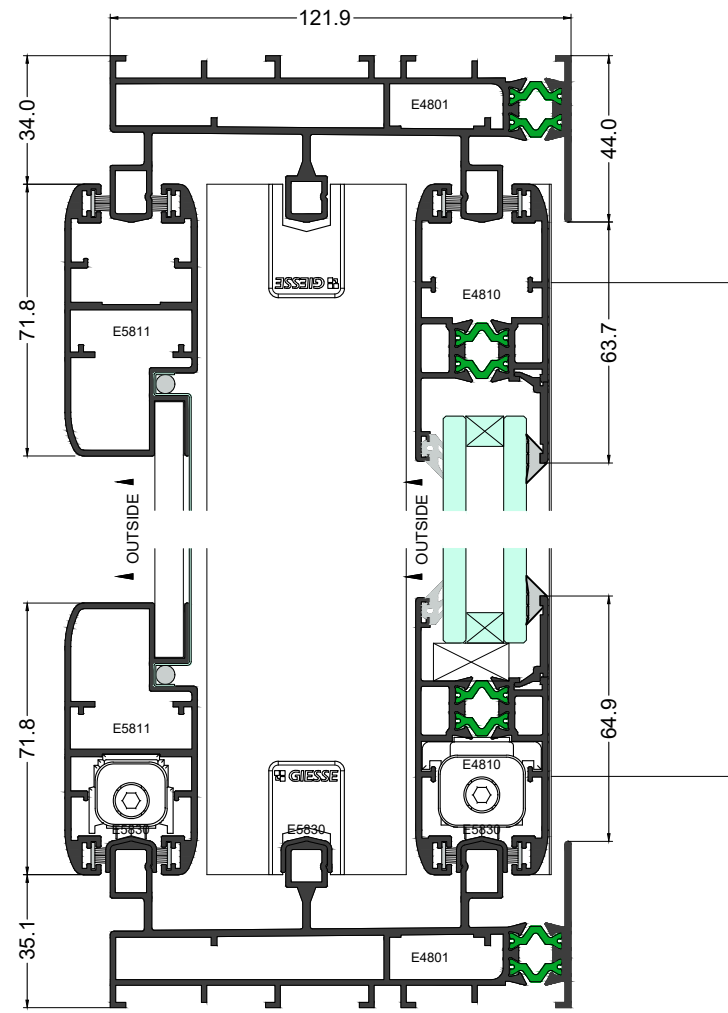
Elevation Section 6-6



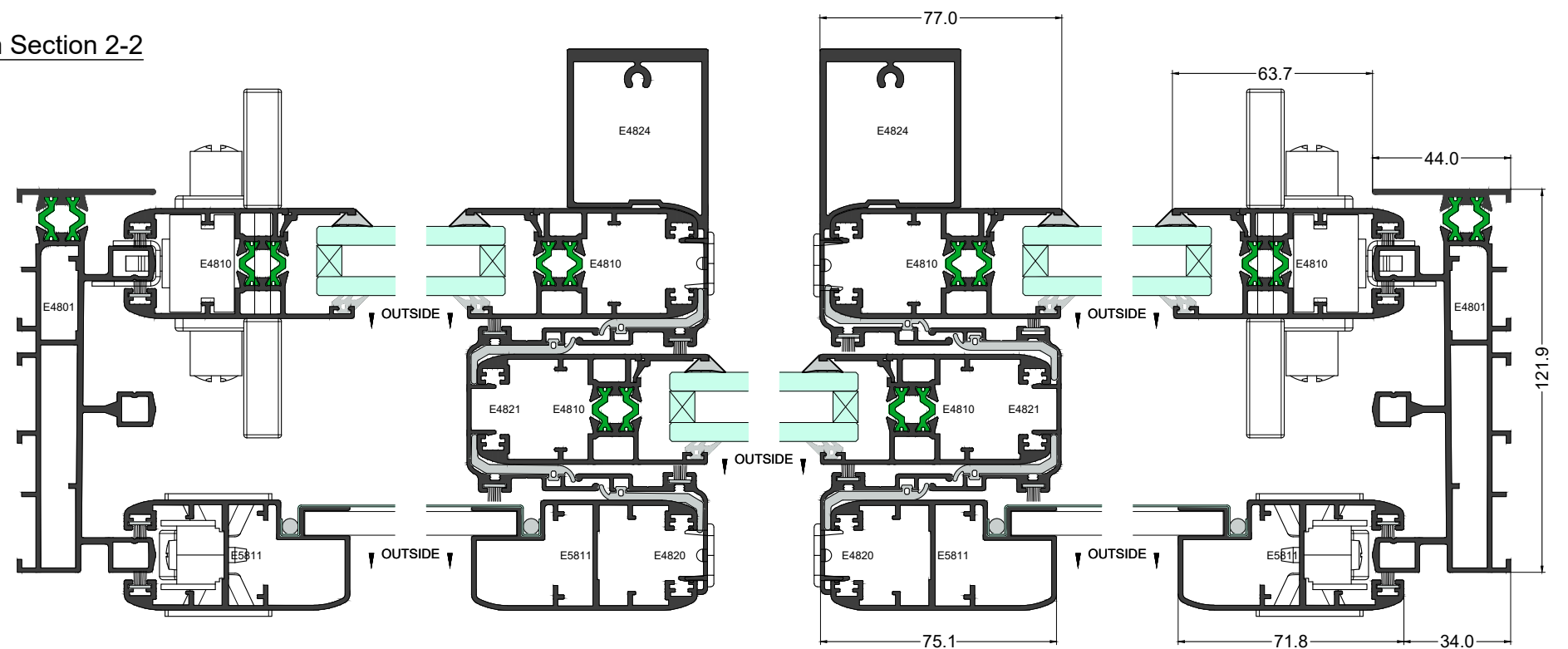
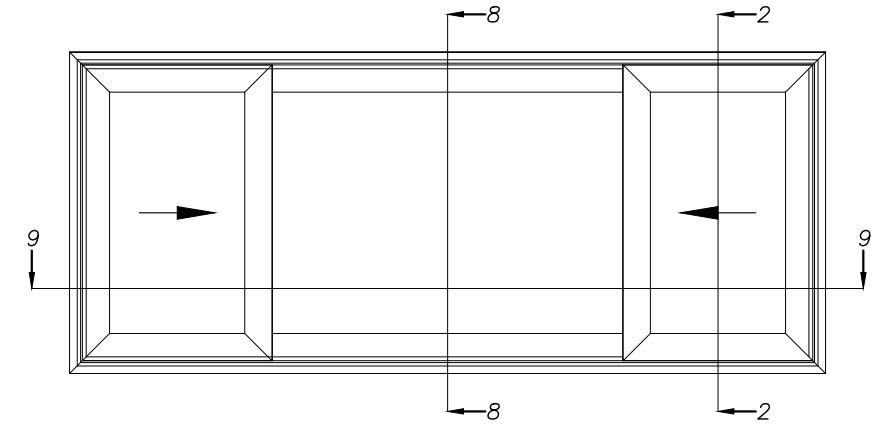
Plan Section 7-7



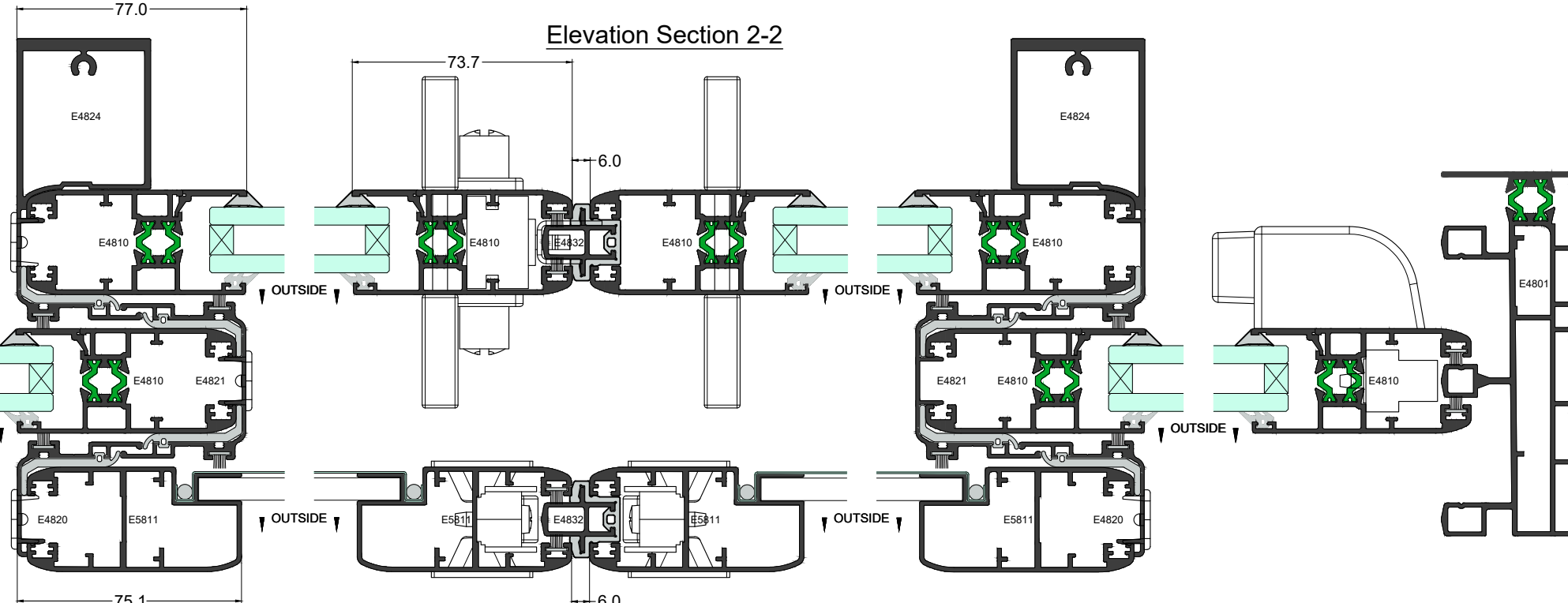
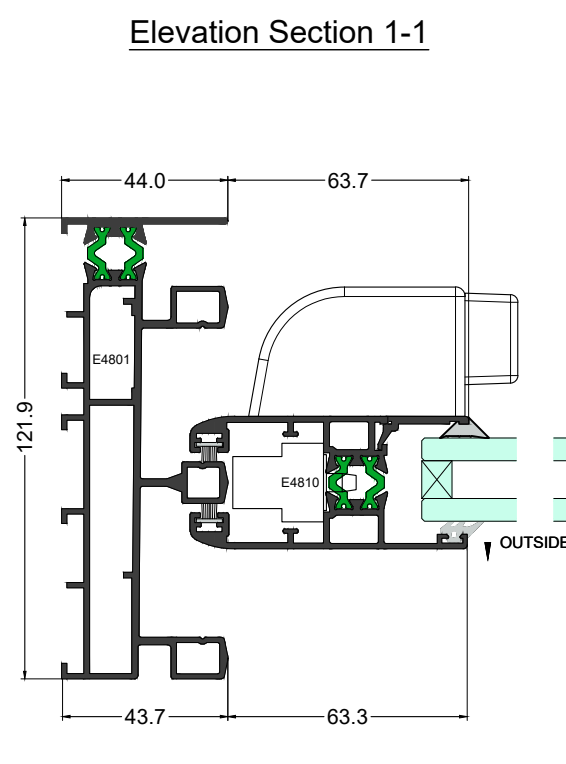
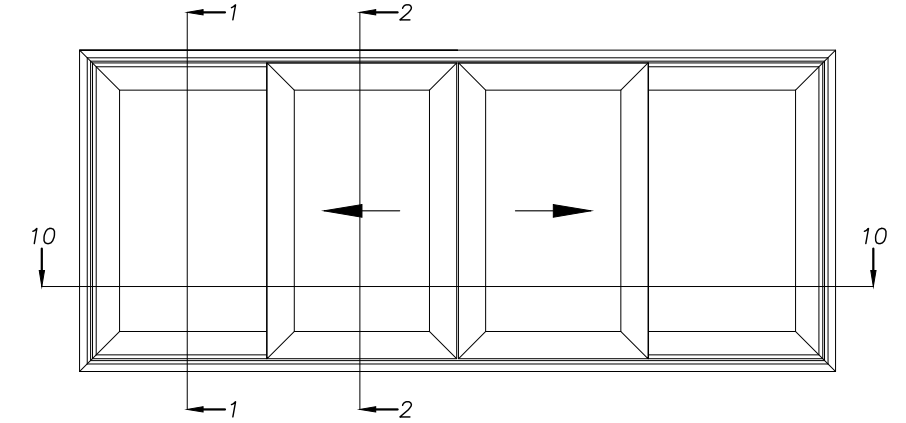
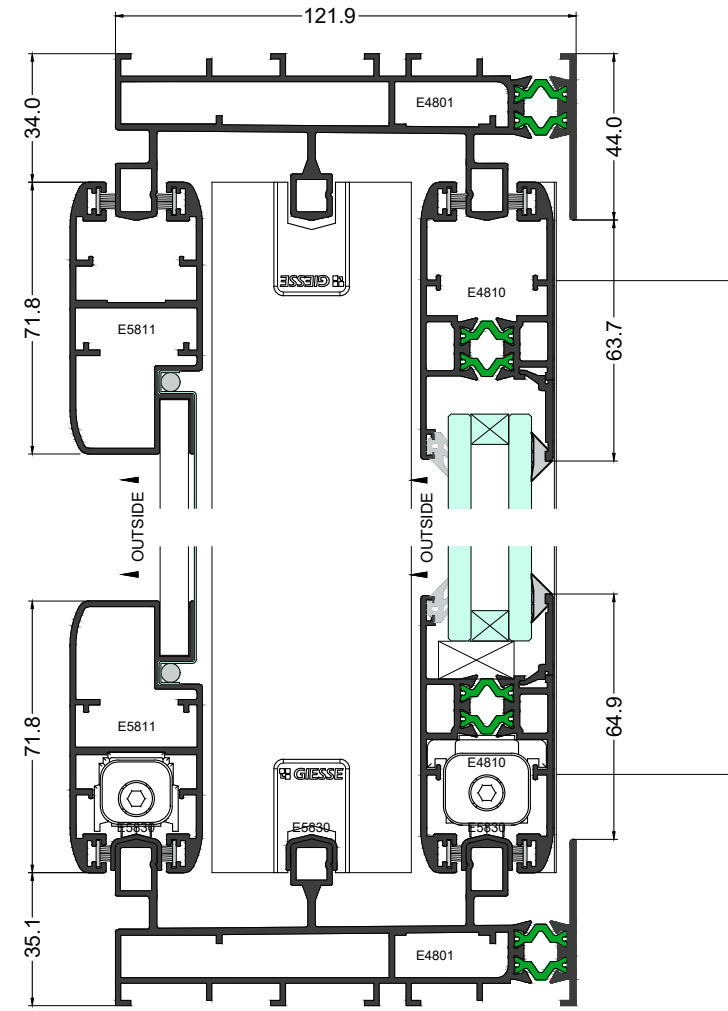
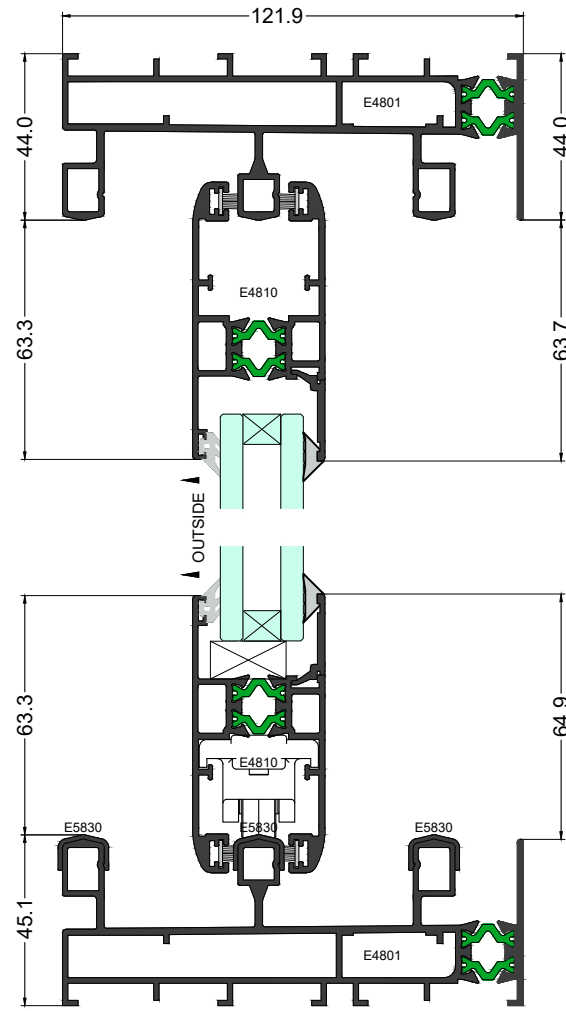
Elevation Section 8-8

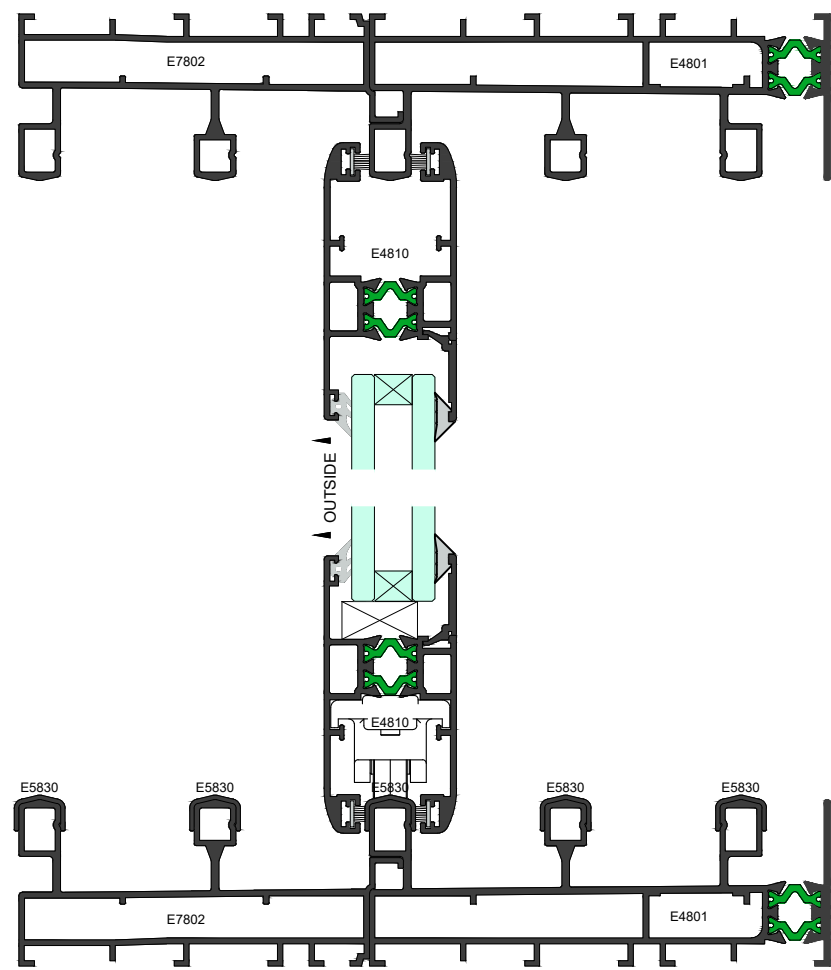
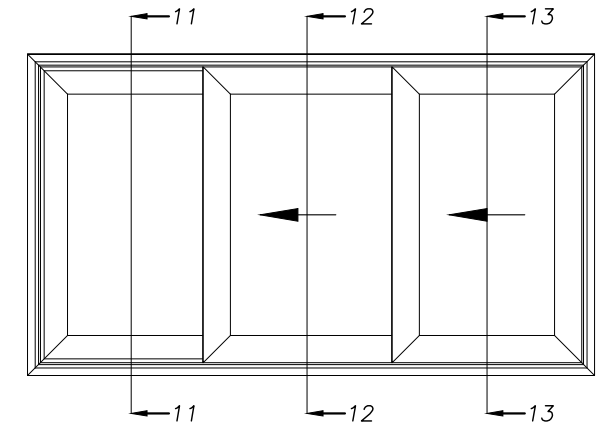


Elevation Section 2-2

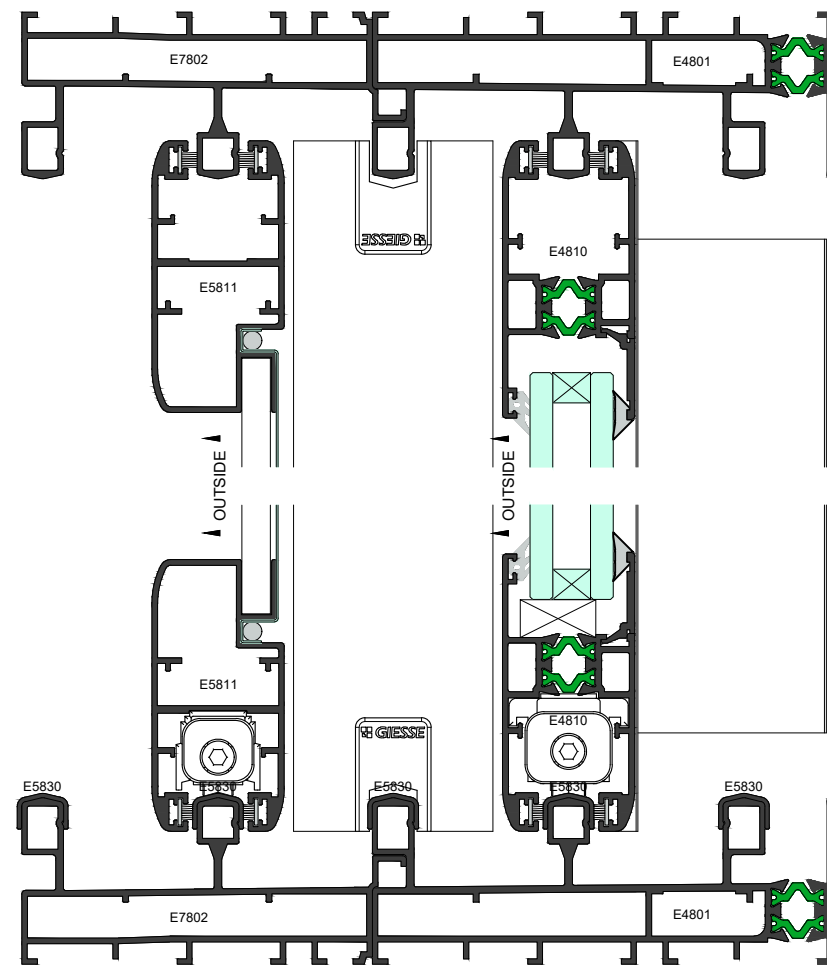


Plan Section 9-9

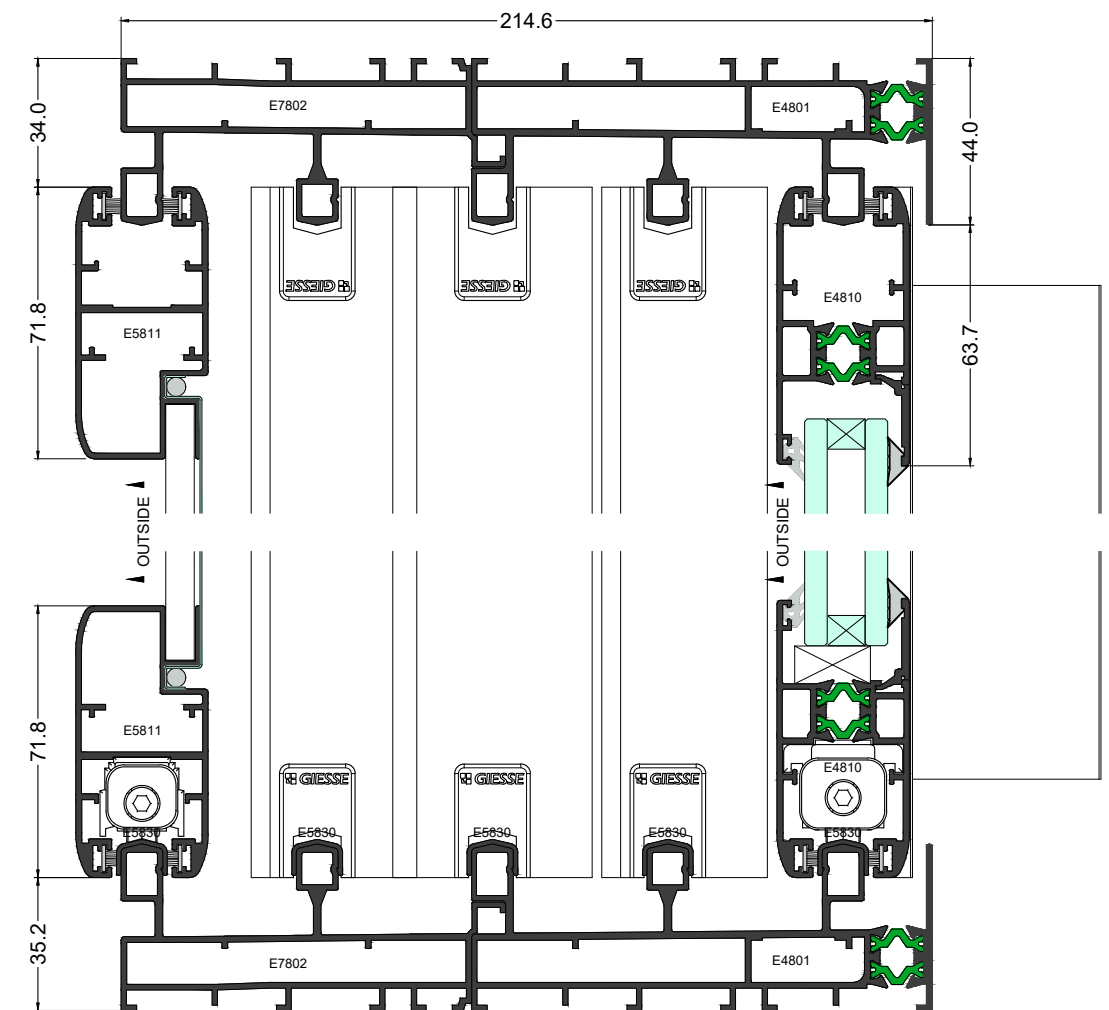




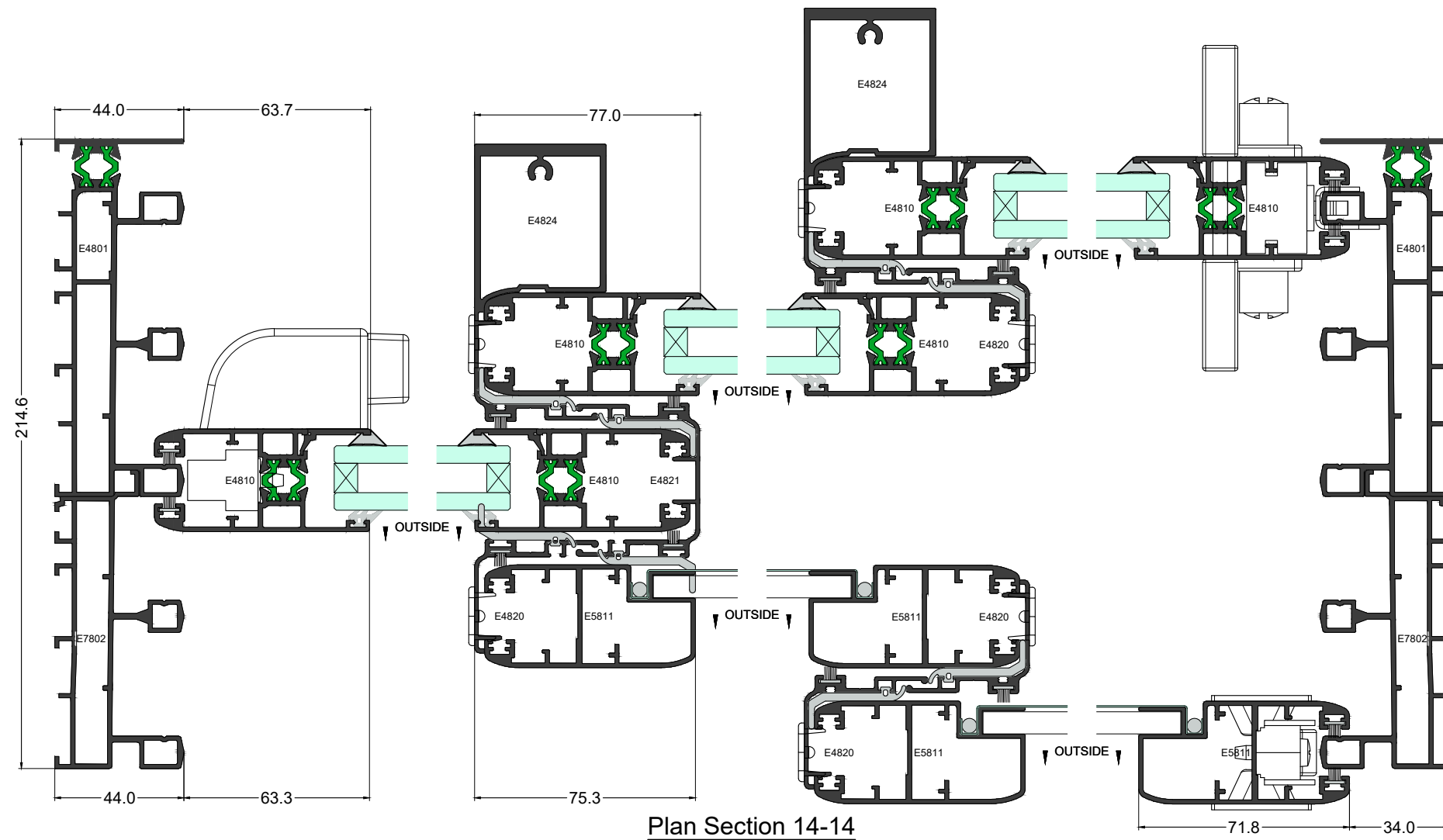
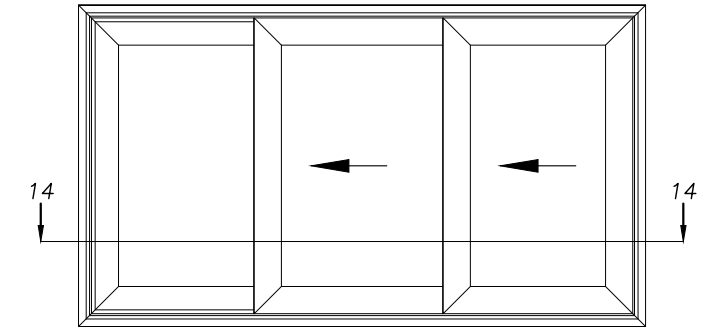
Elevation Section 11-11

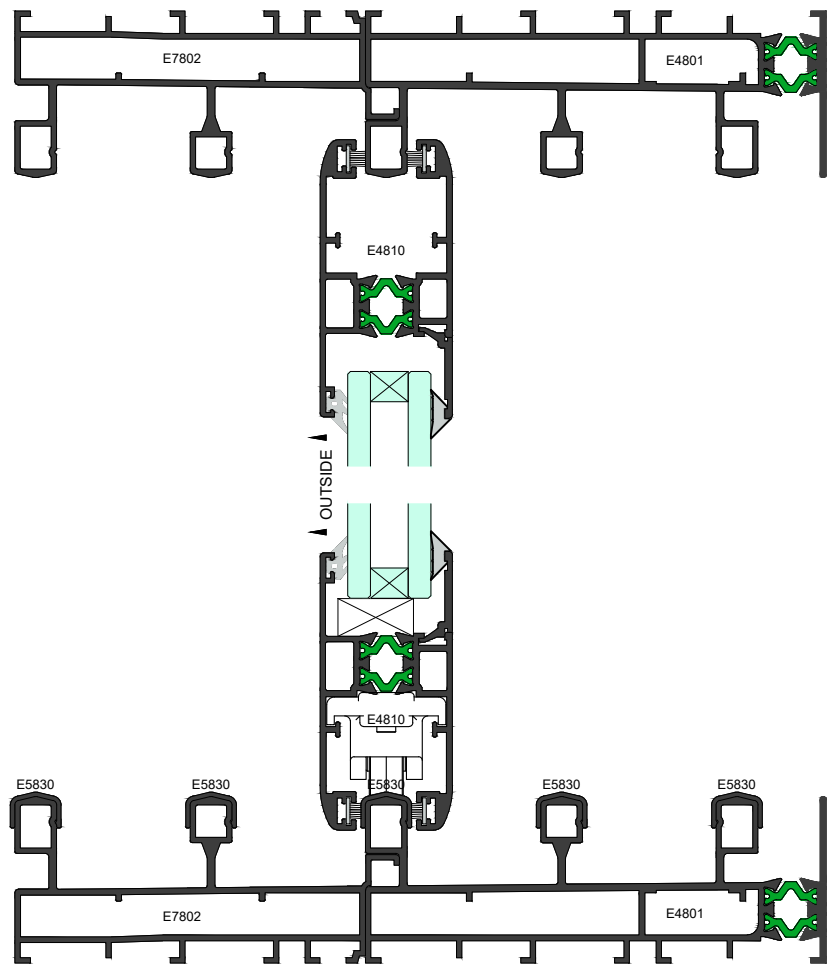
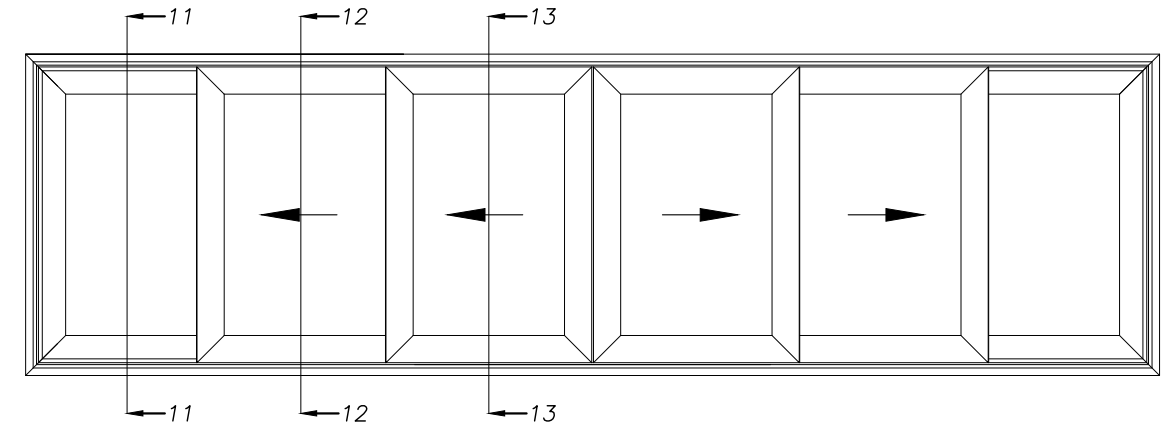


Elevation Section 12-12

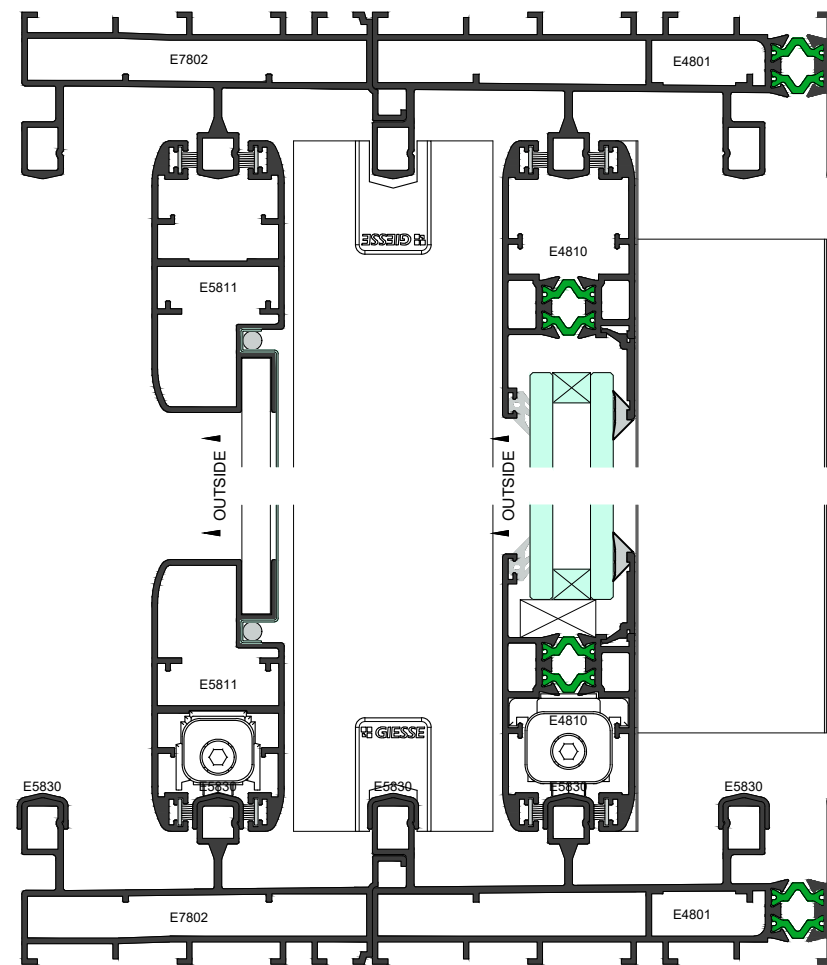


Elevation Section 13-13

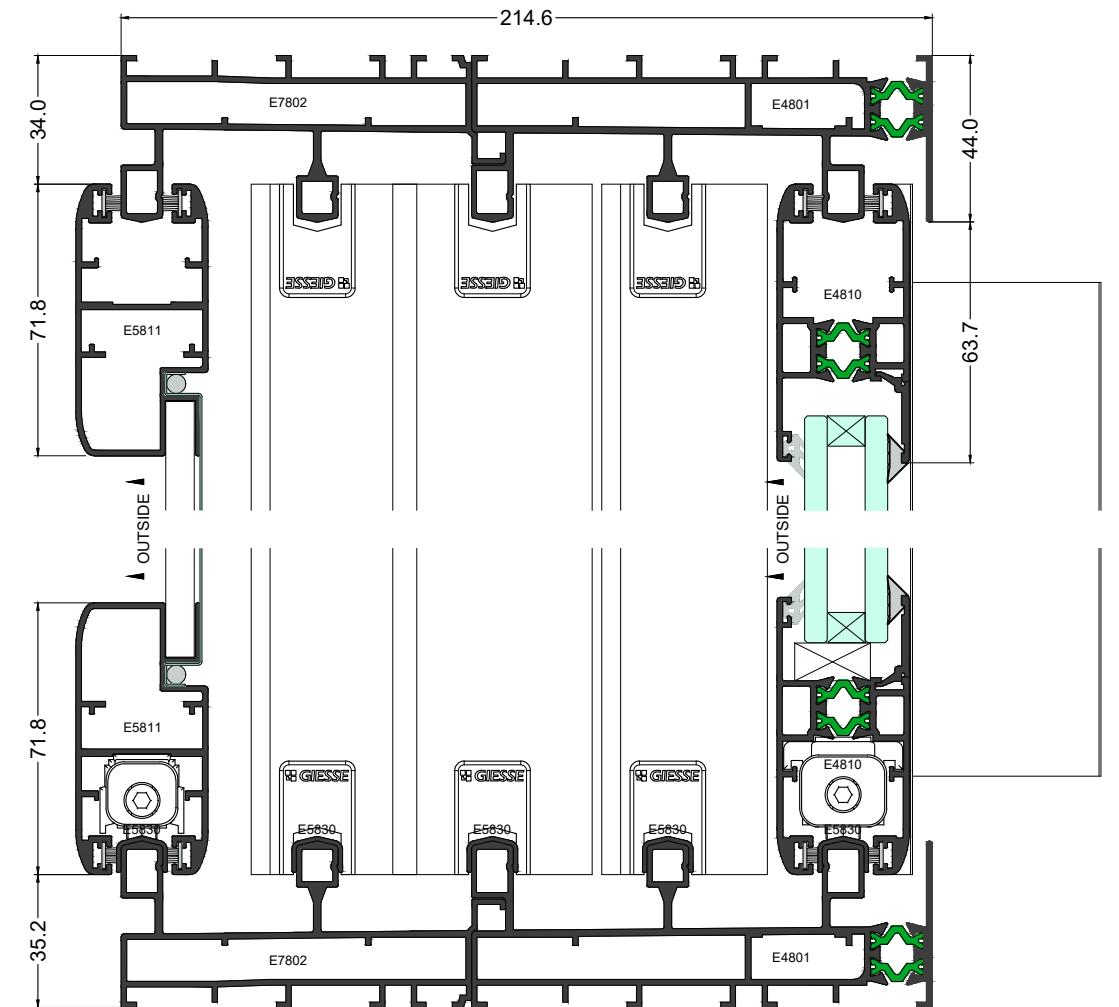




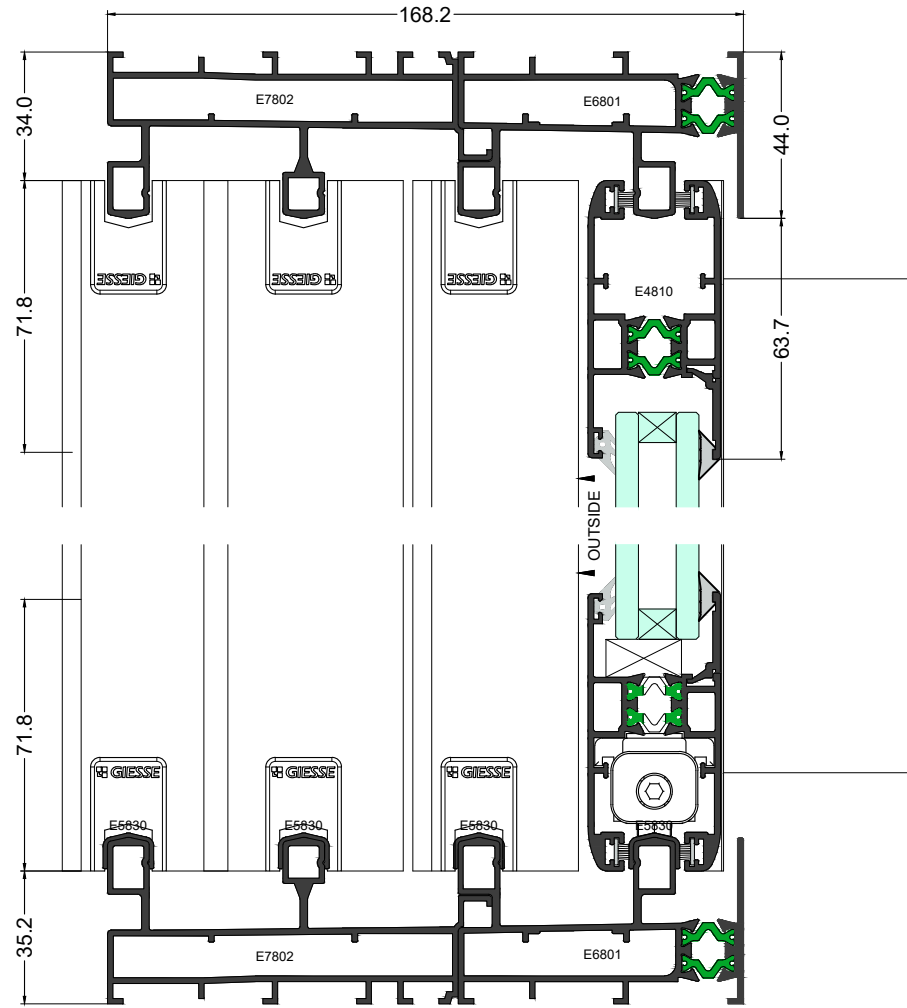
Elevation Section 11-11



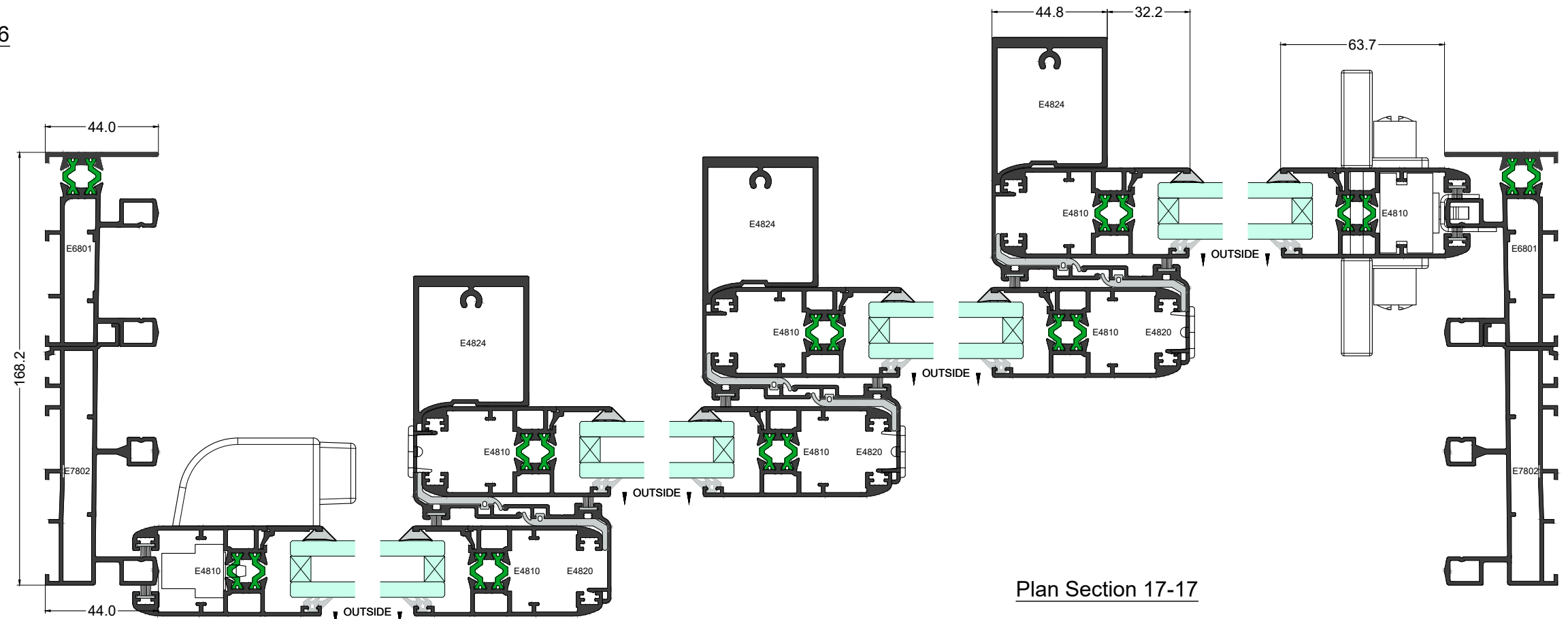
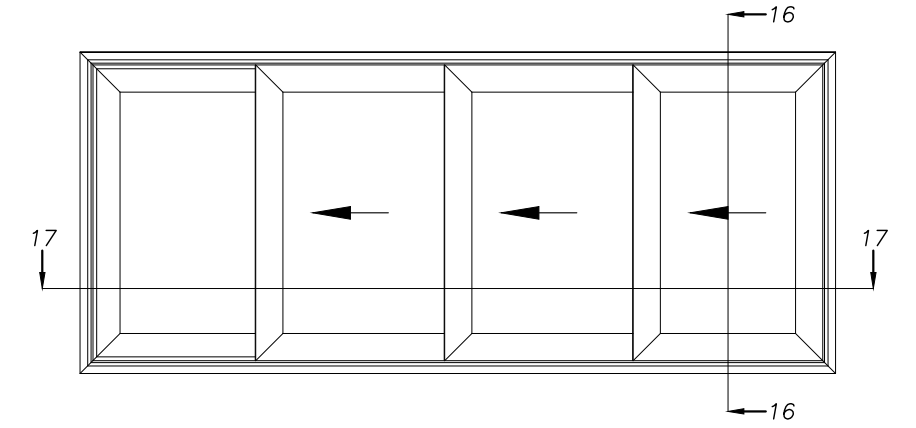
Elevation Section 12-12



Elevation Section 13-13



Elevation Section 16-16



Plan Section 17-17