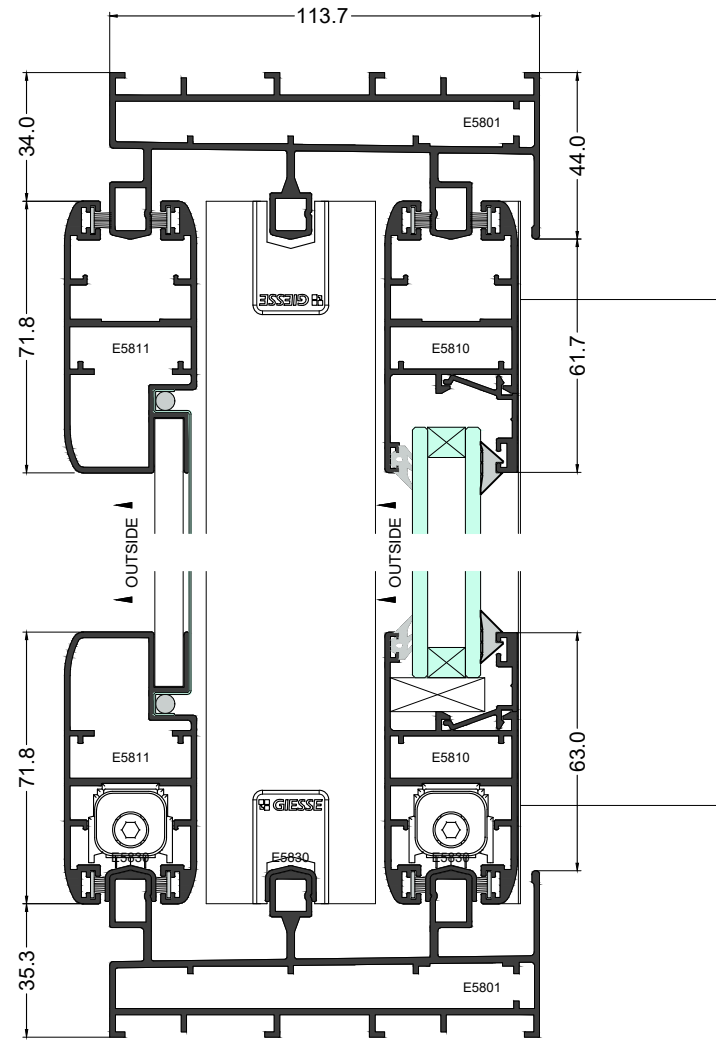
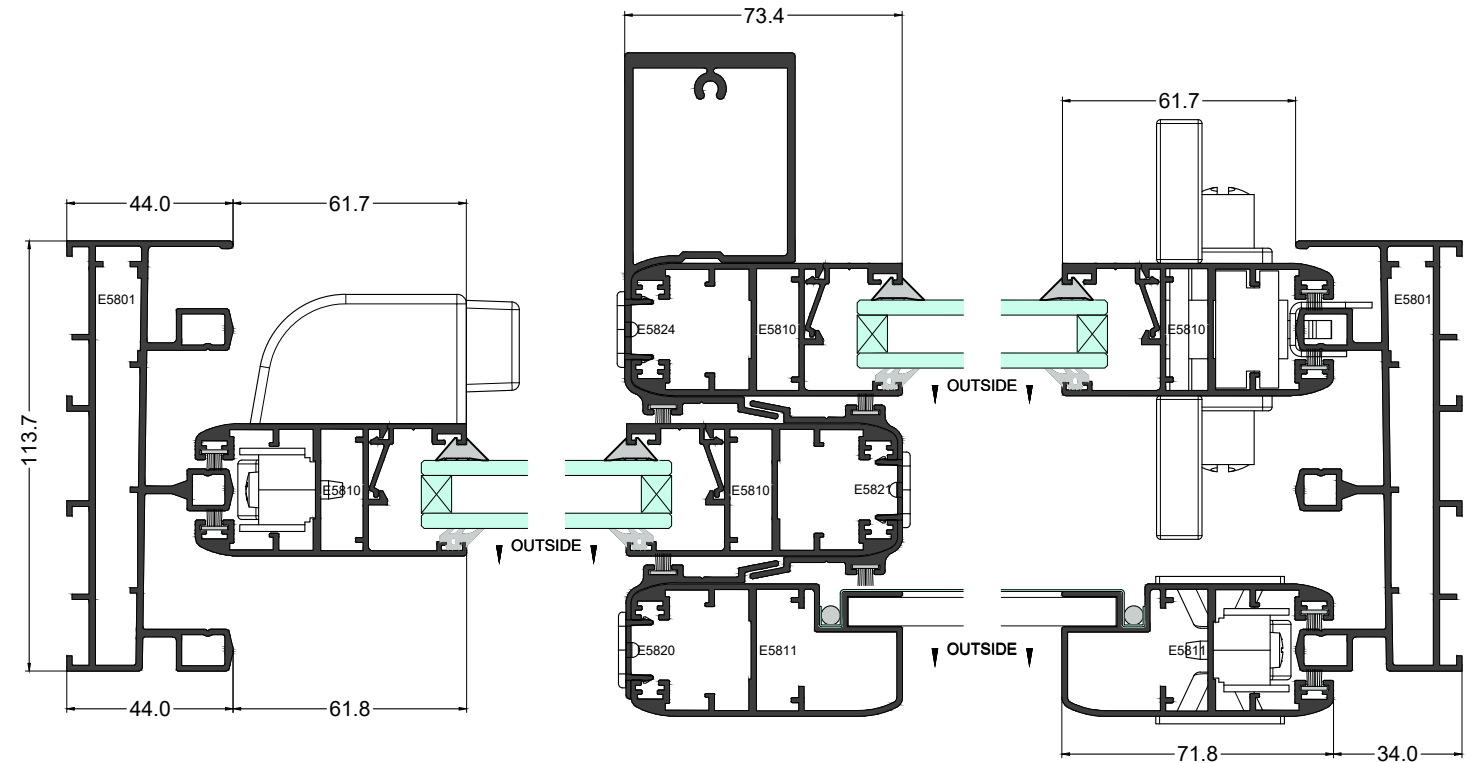
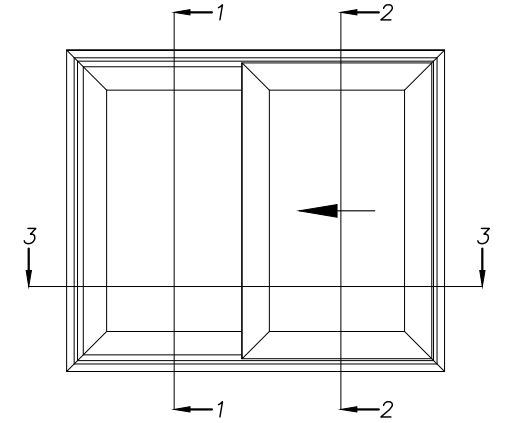


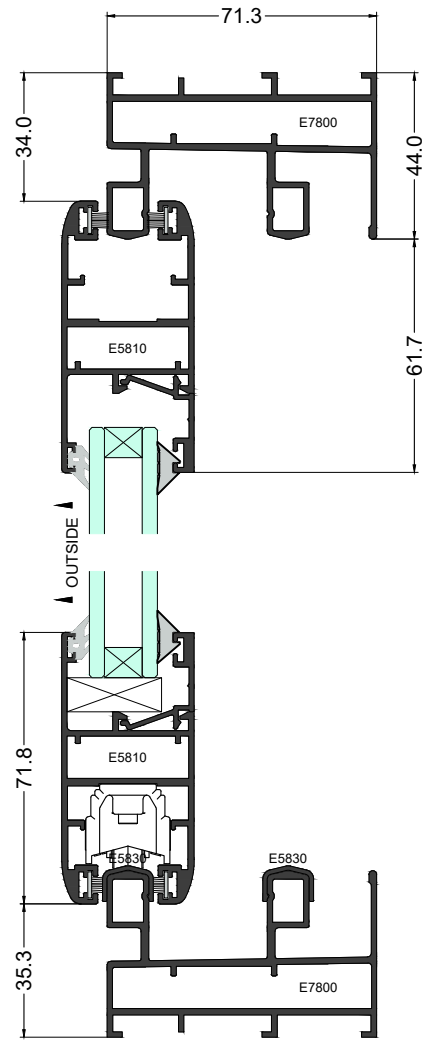
Elevation Section 1-1



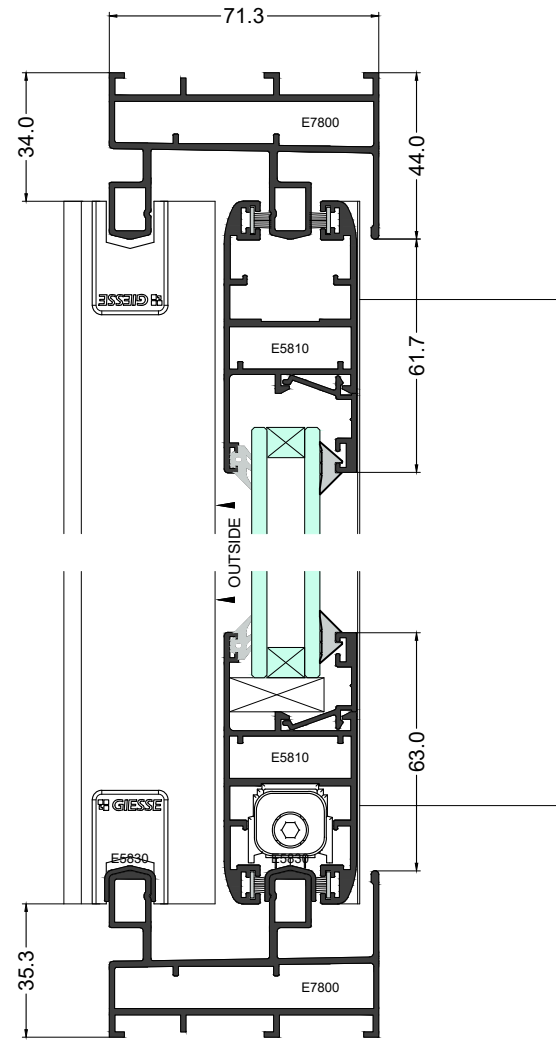
Elevation Section 2-2



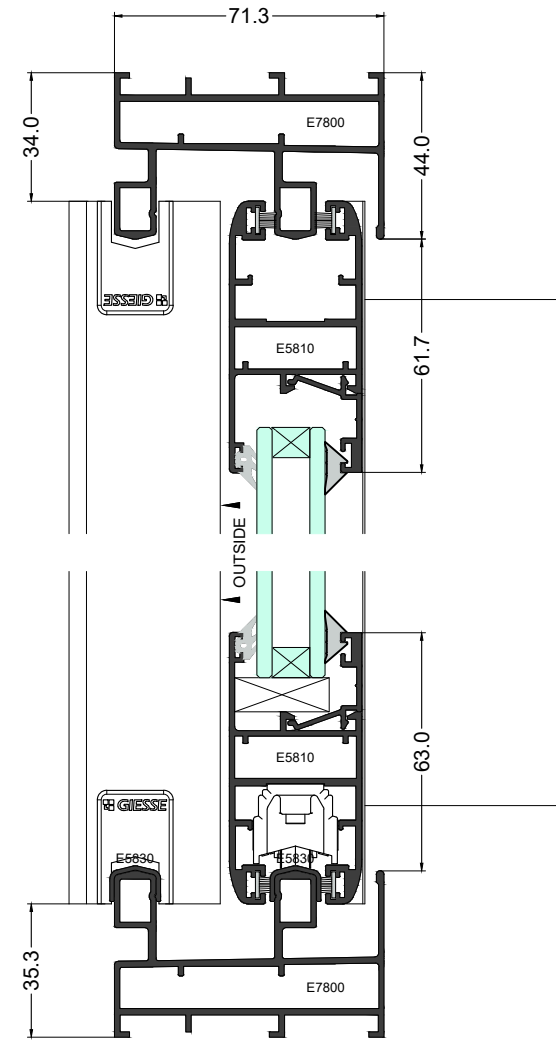
Plan Section 3-3



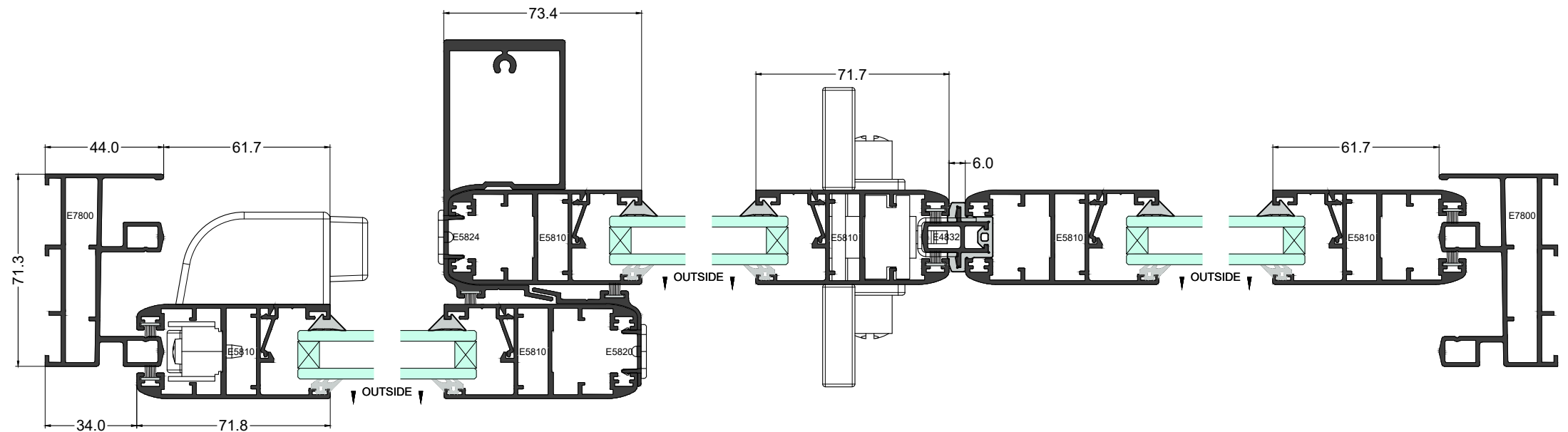
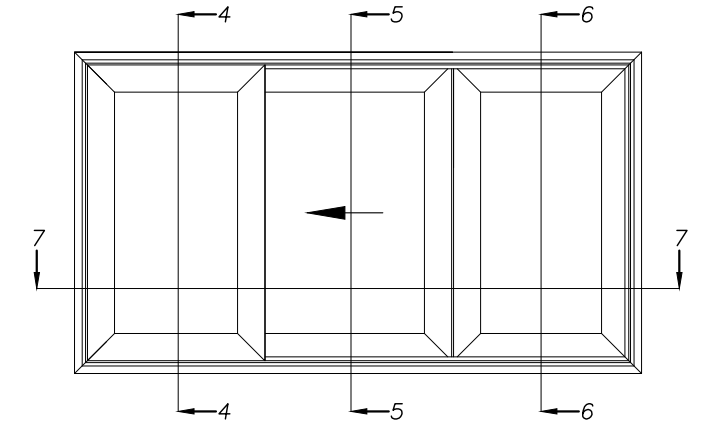
Elevation Section 4-4



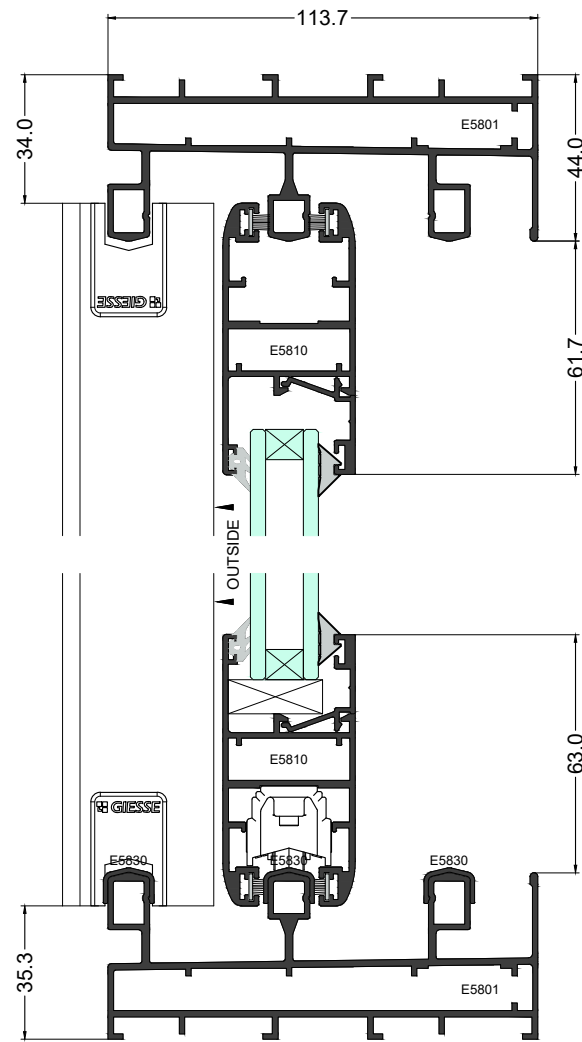
Elevation Section 5-5



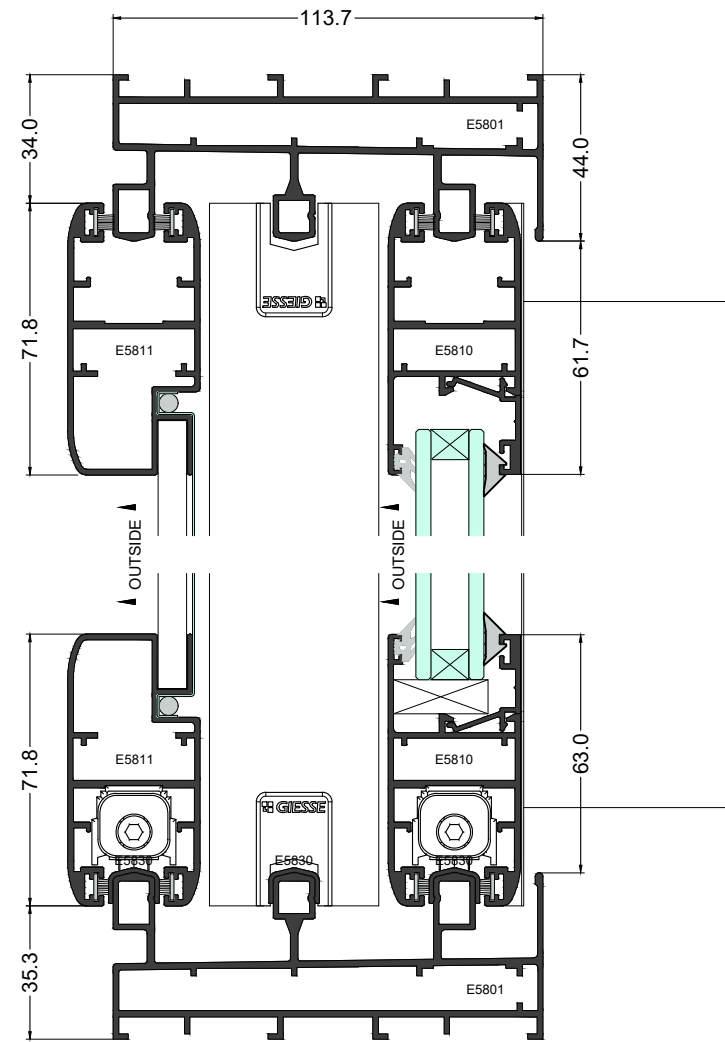
Elevation Section 6-6



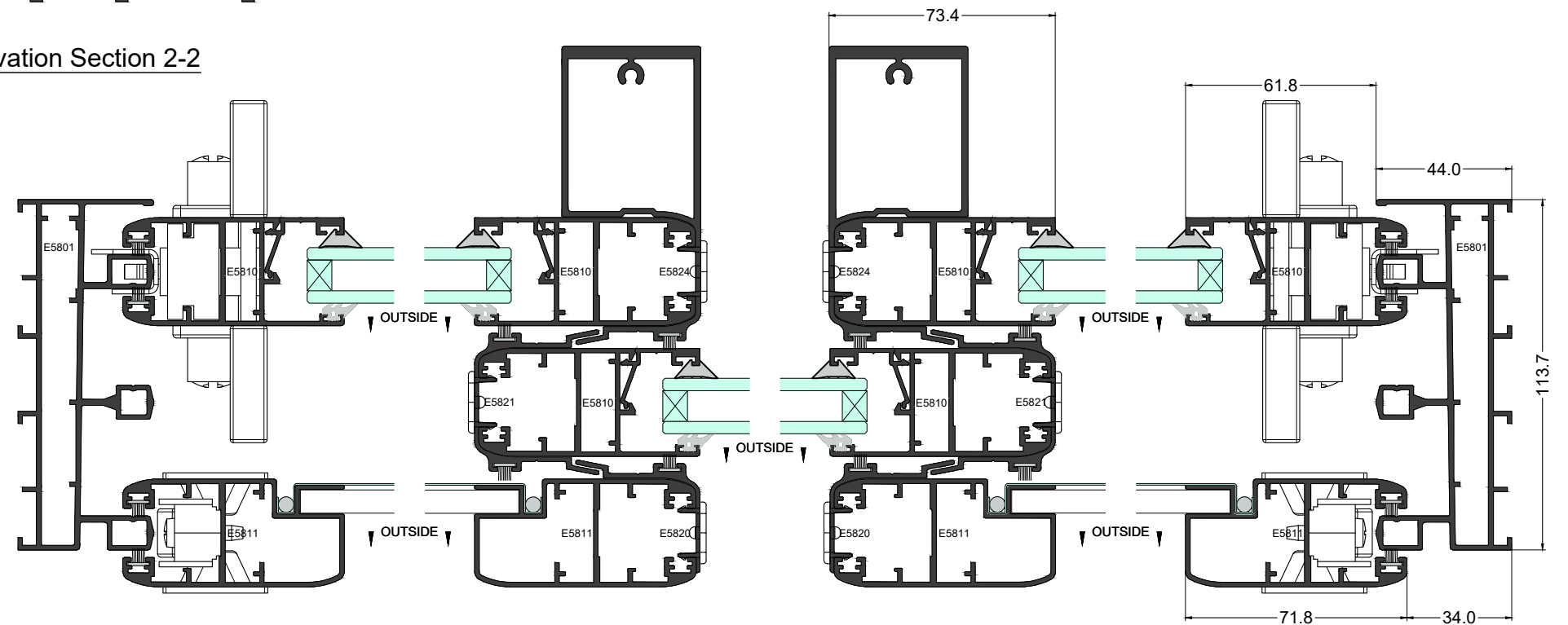
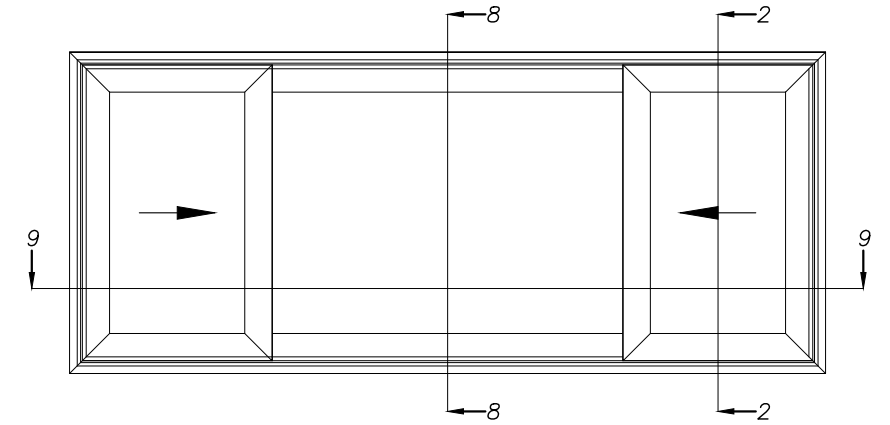
Plan Section 7-7



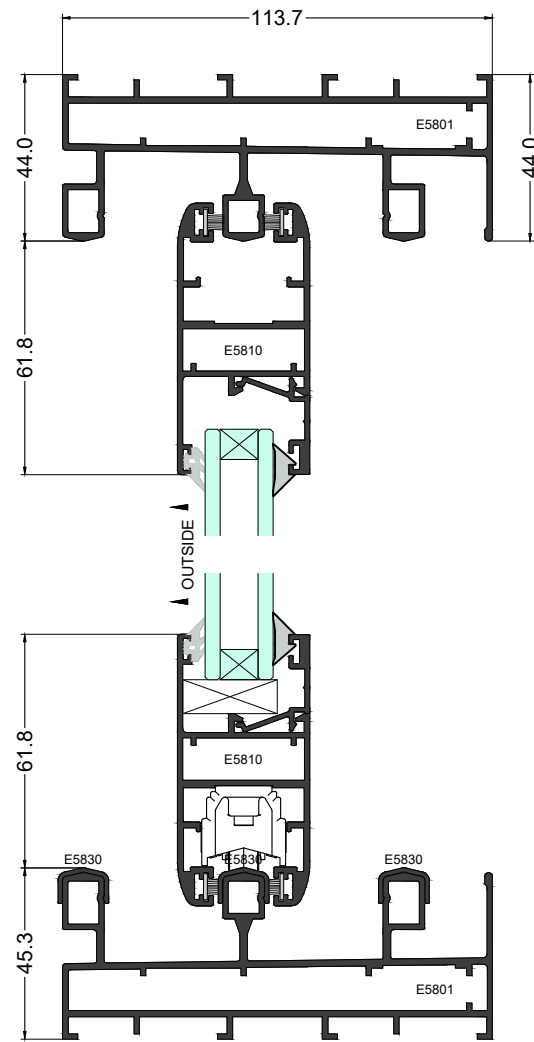
Elevation Section 8-8



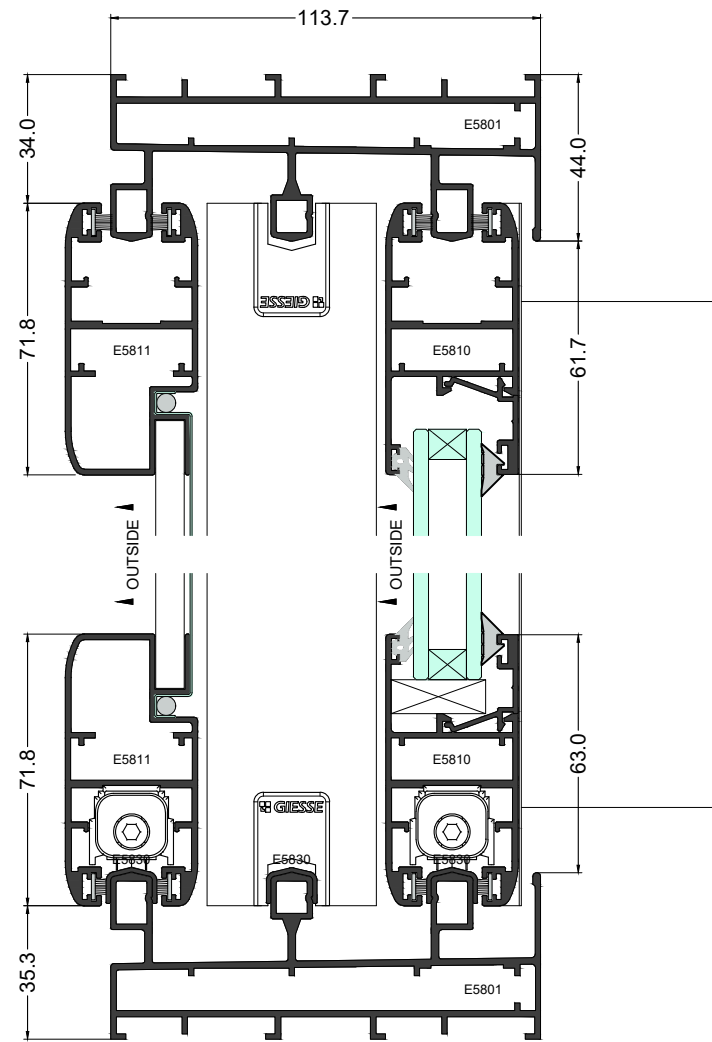
Elevation Section 2-2



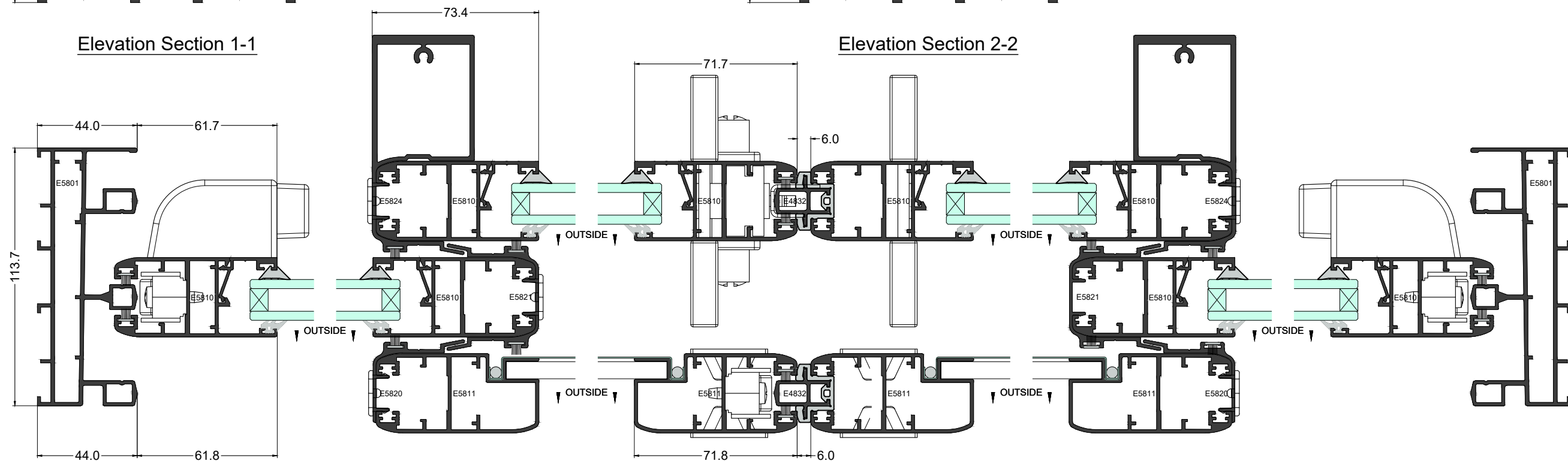
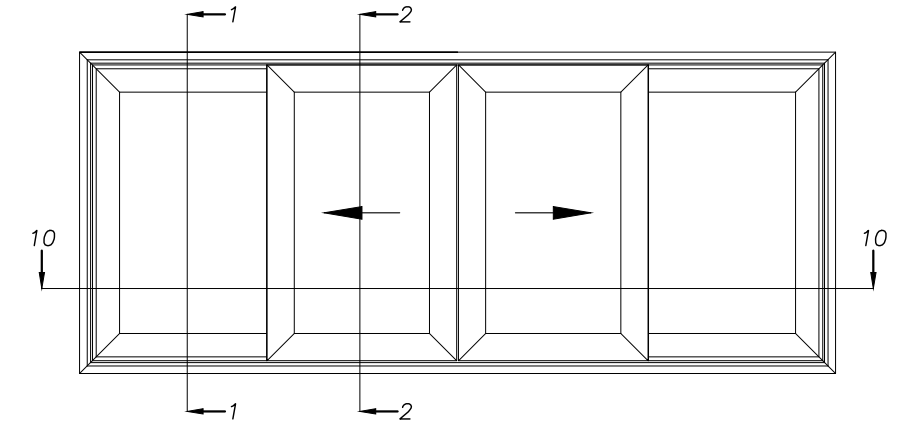
Plan Section 9-9



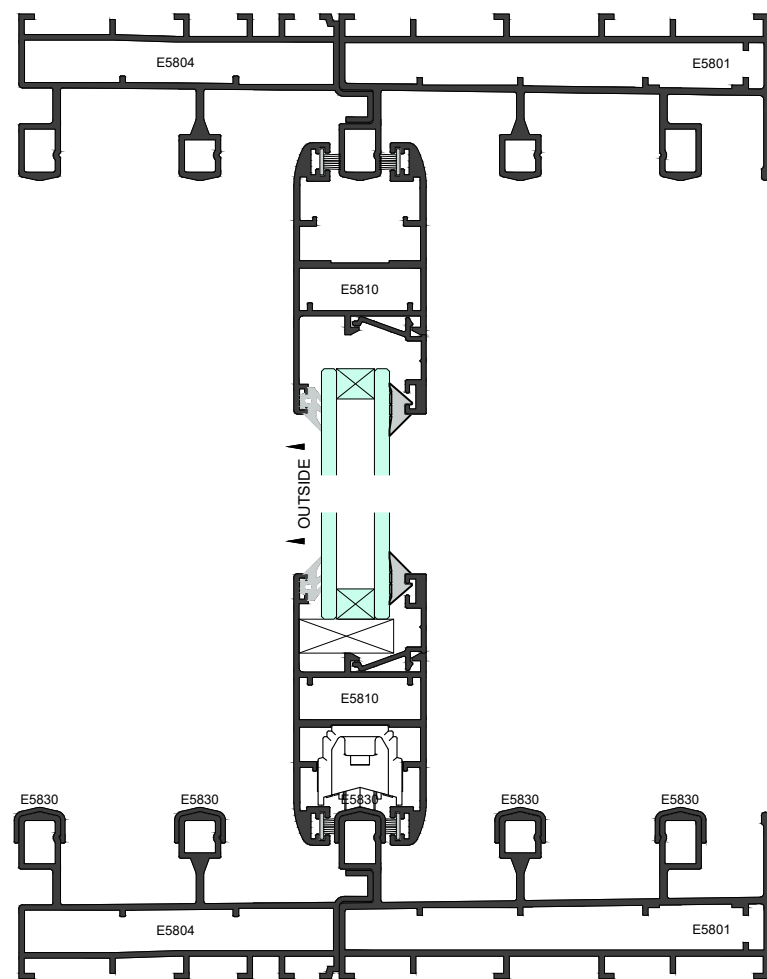
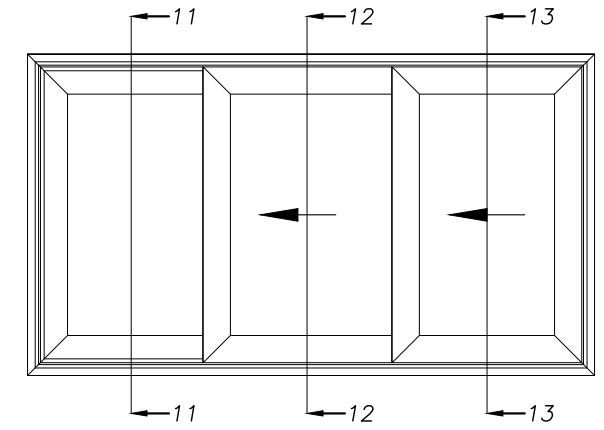
Elevation Section 1-1



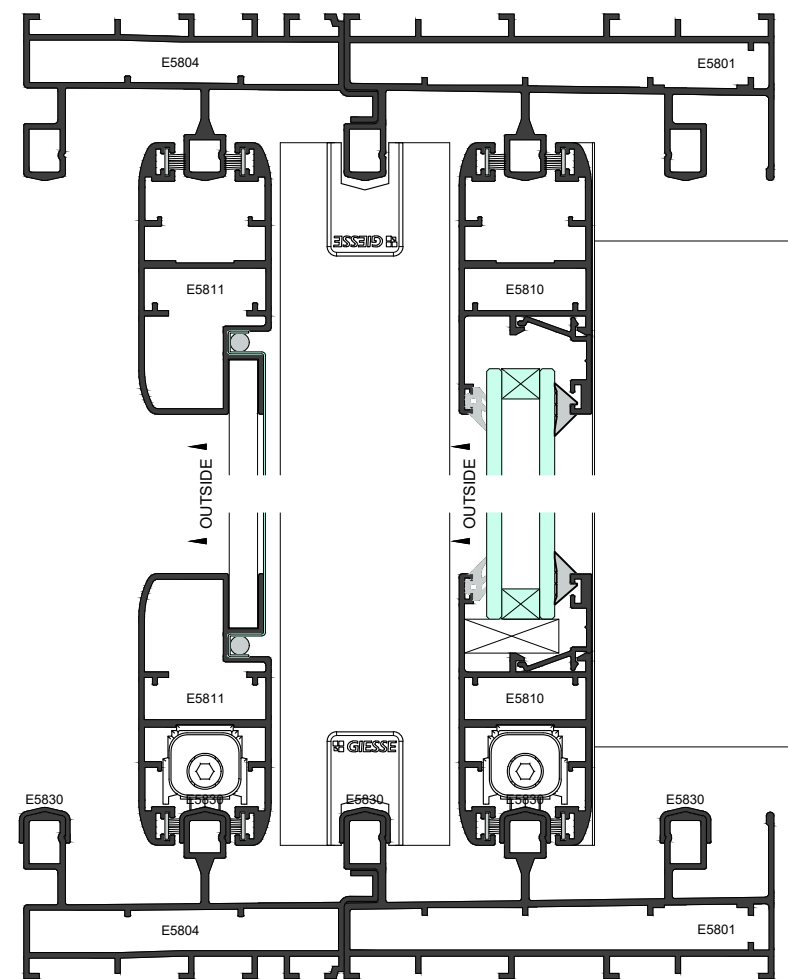
Elevation Section 2-2



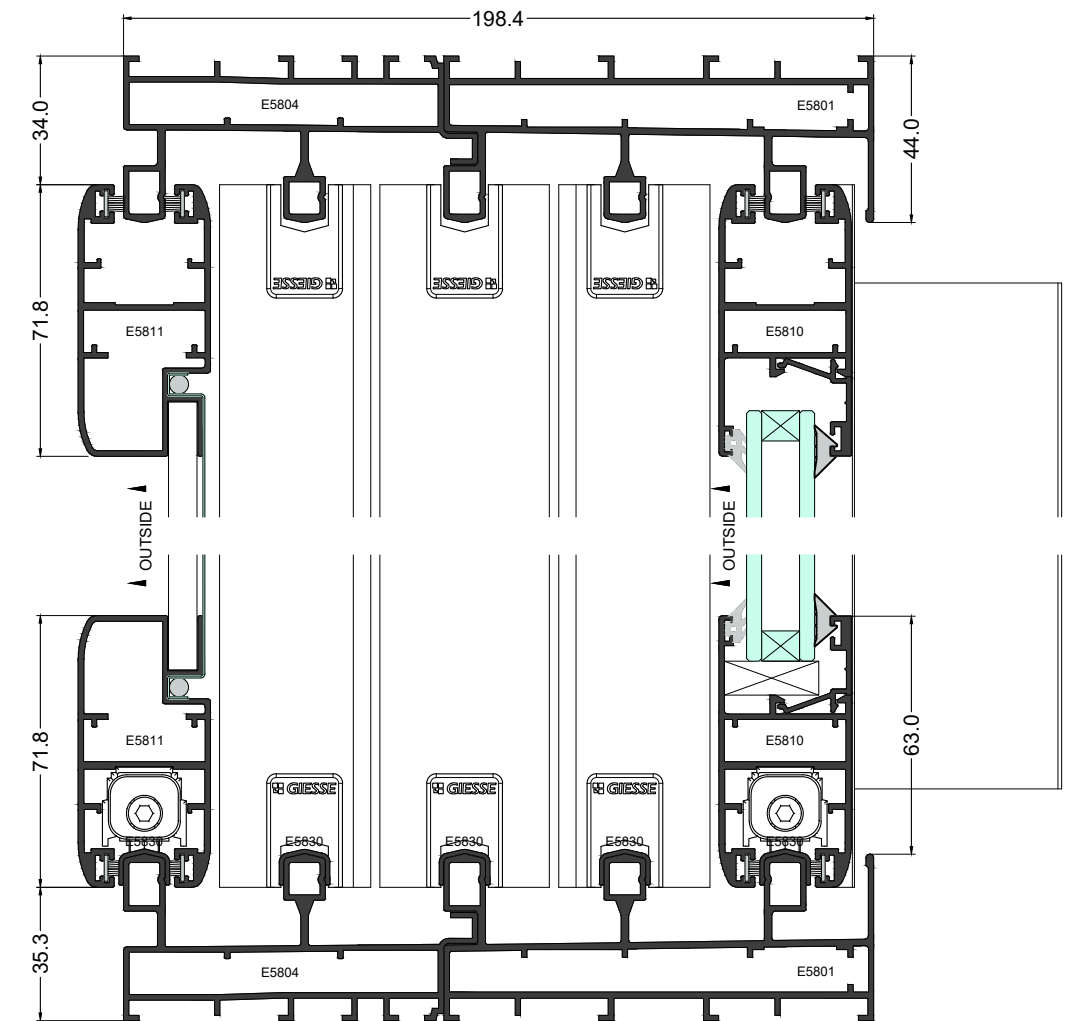
Plan Section 10-10



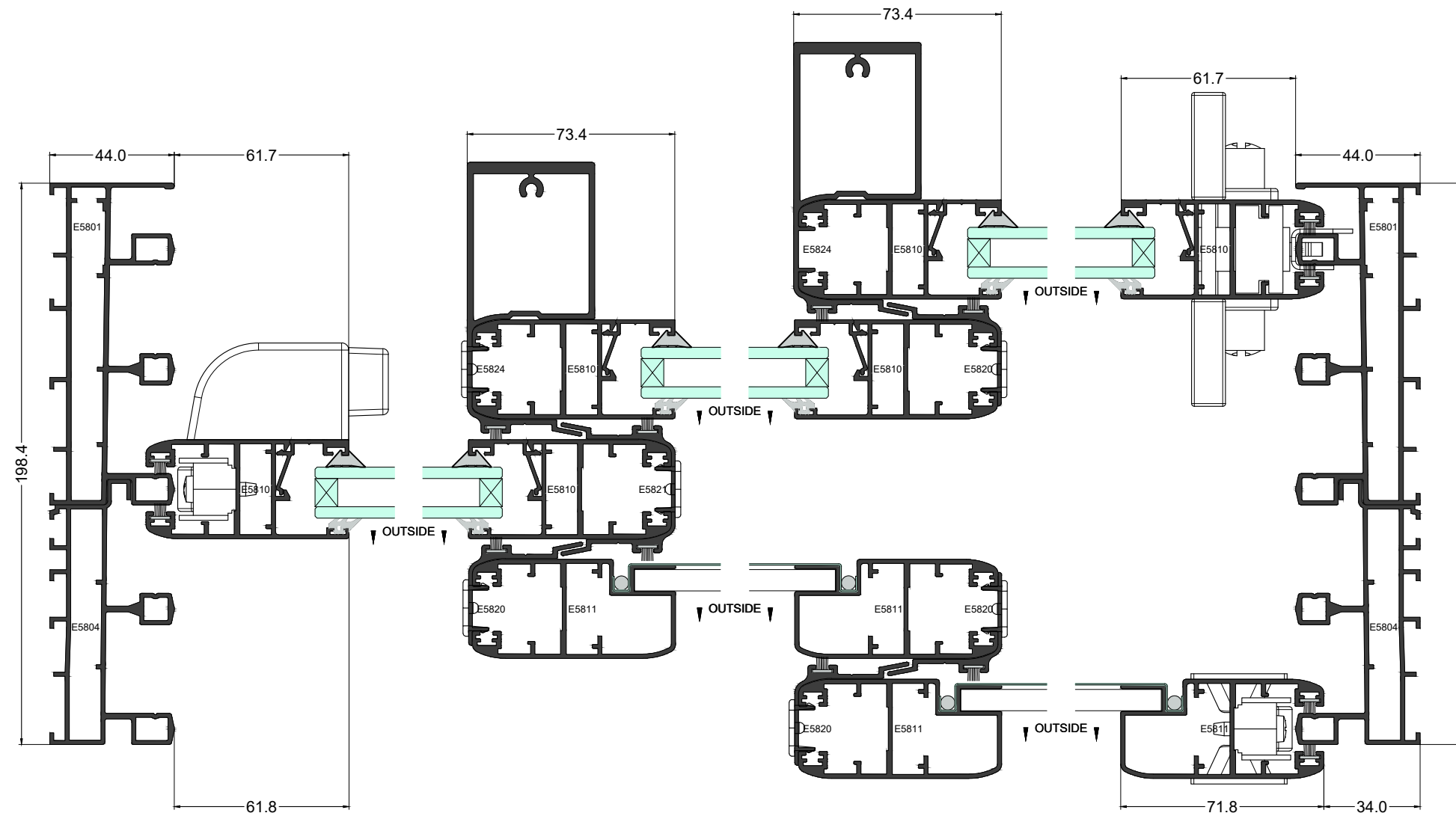
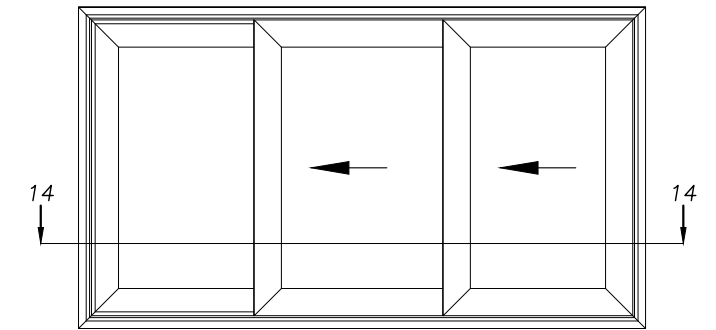
Elevation Section 11-11



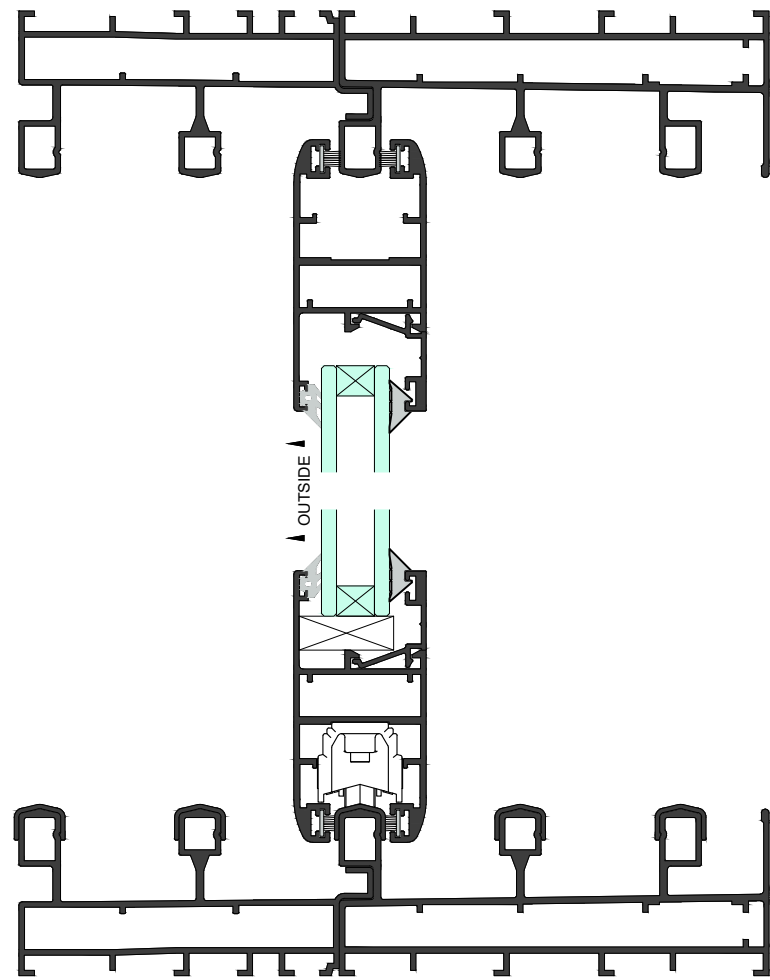
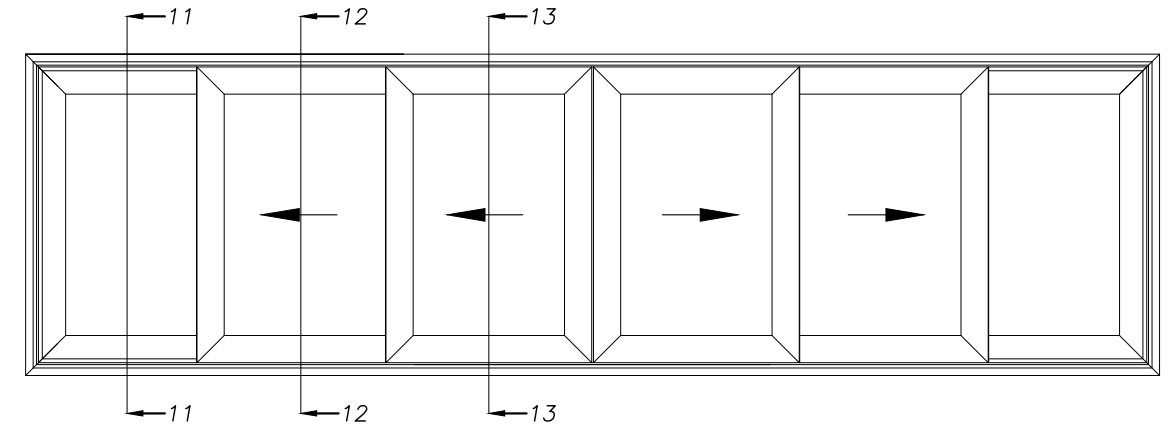
Elevation Section 12-12



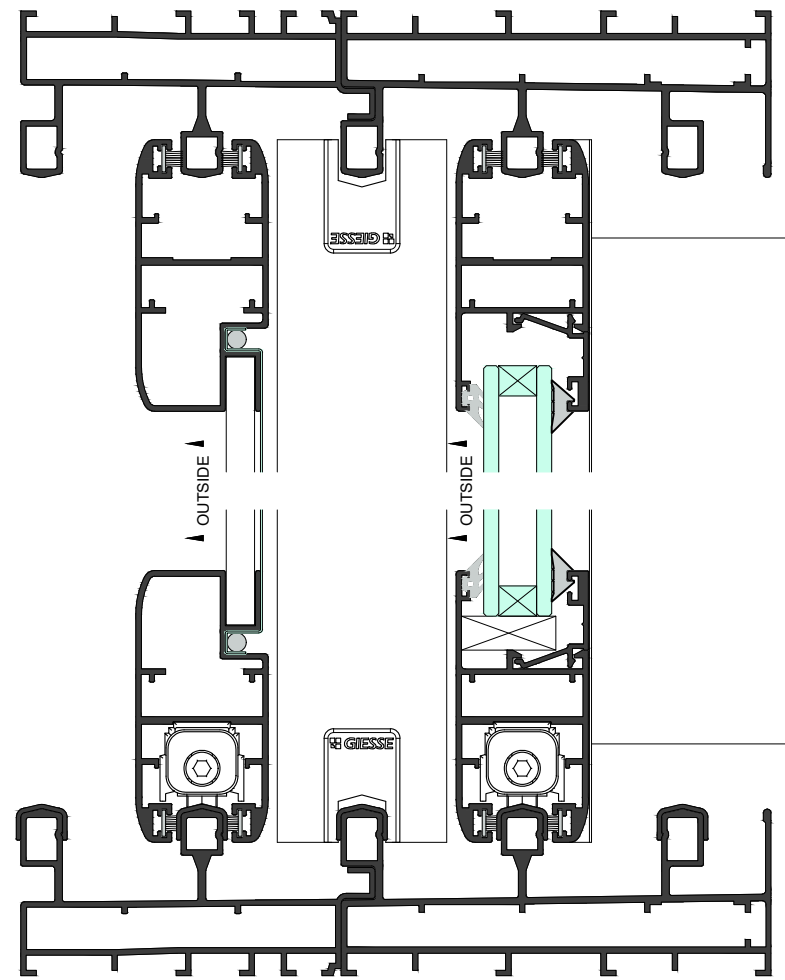
Elevation Section 13-13



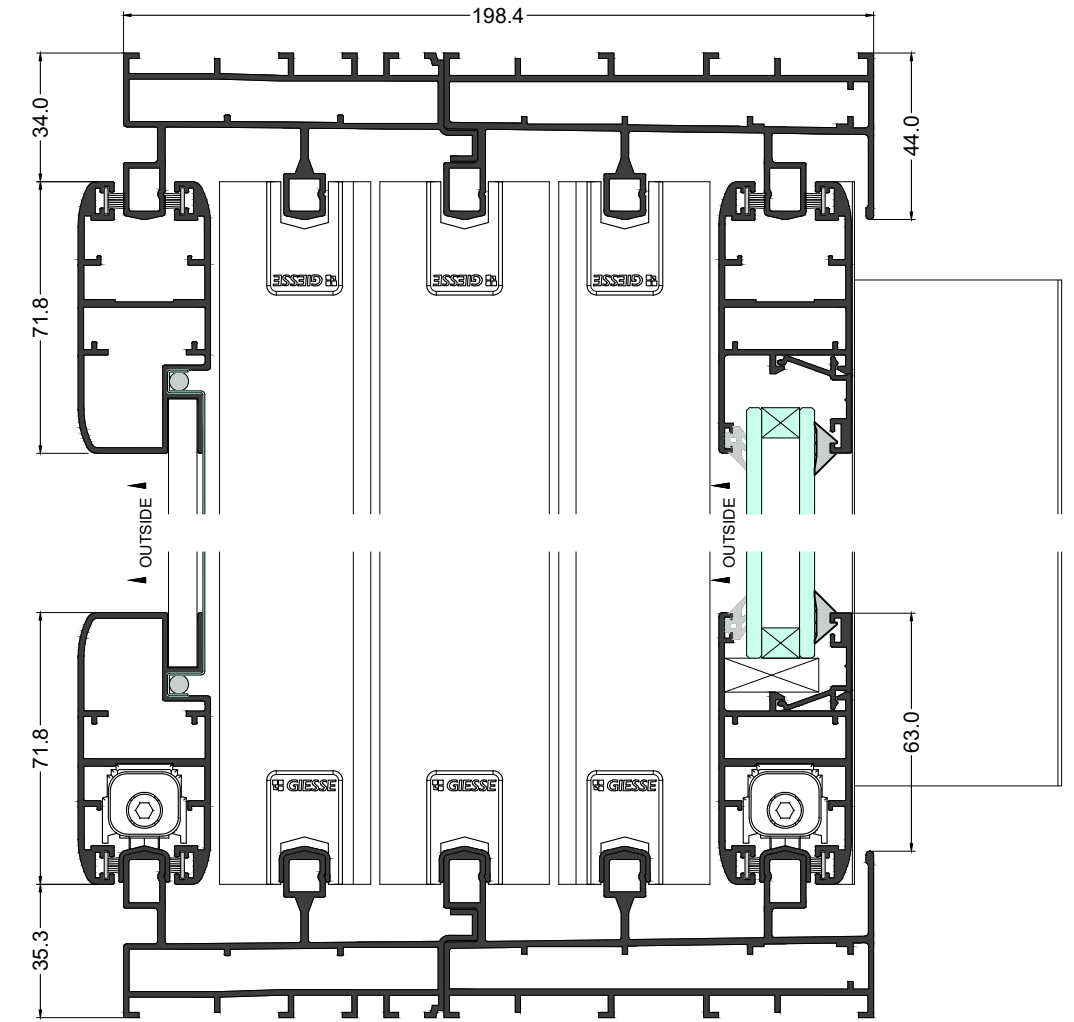
Plan Section 14-14



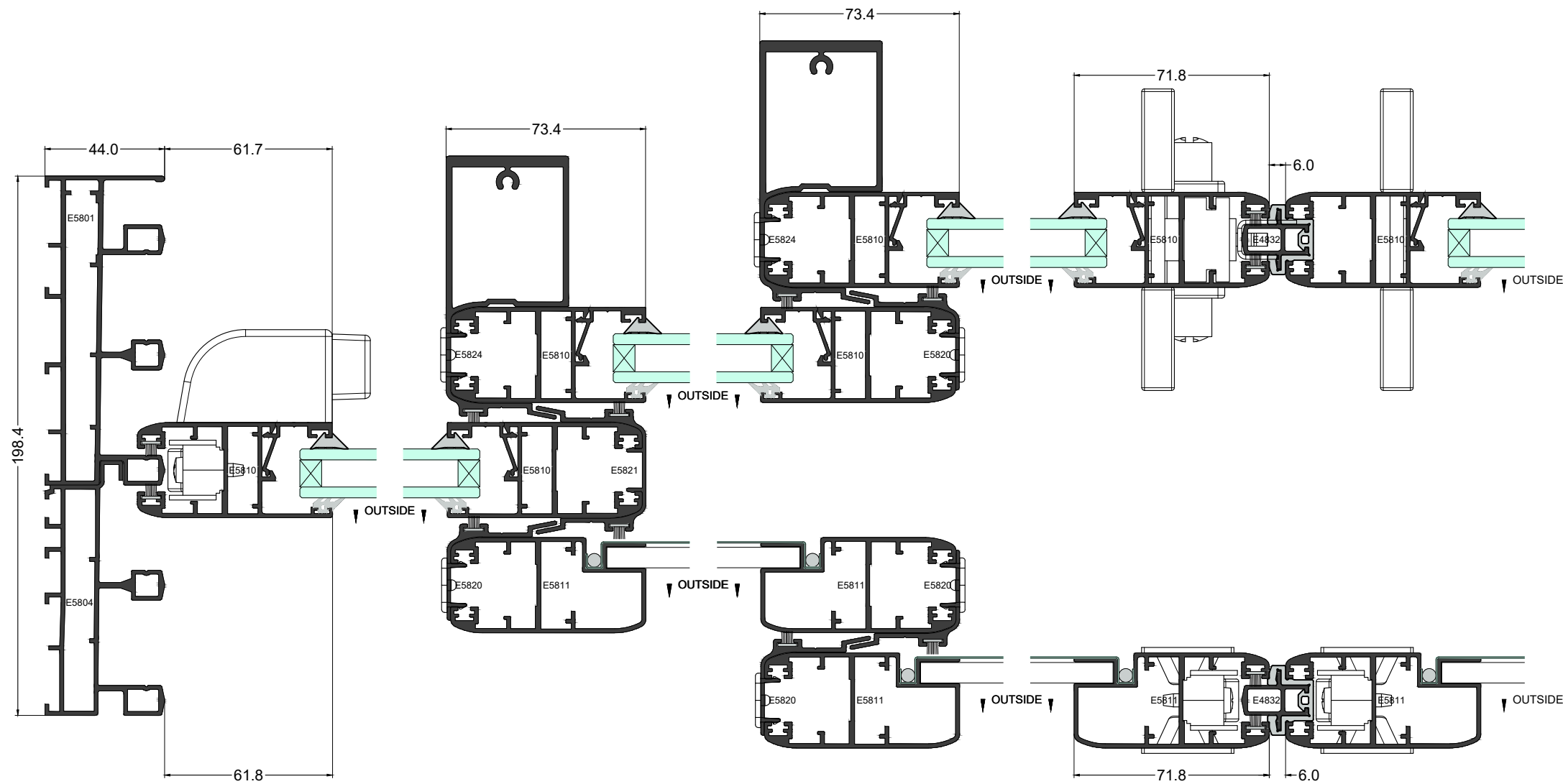
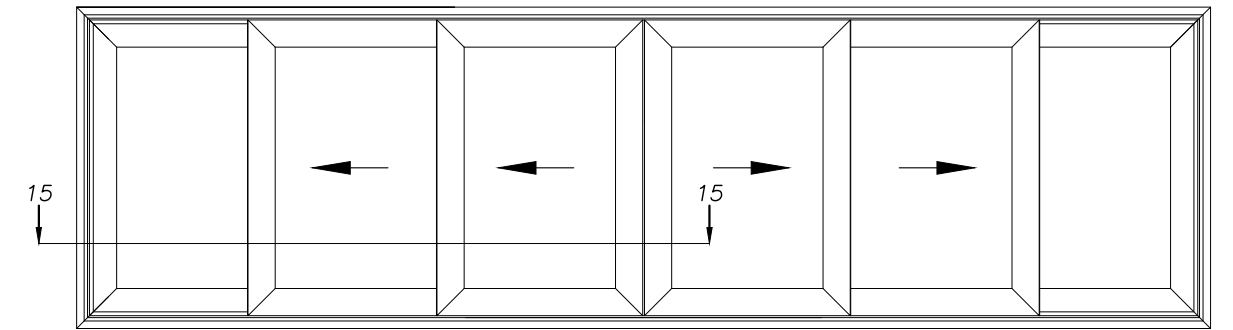
Elevation Section 11-11



Elevation Section 12-12

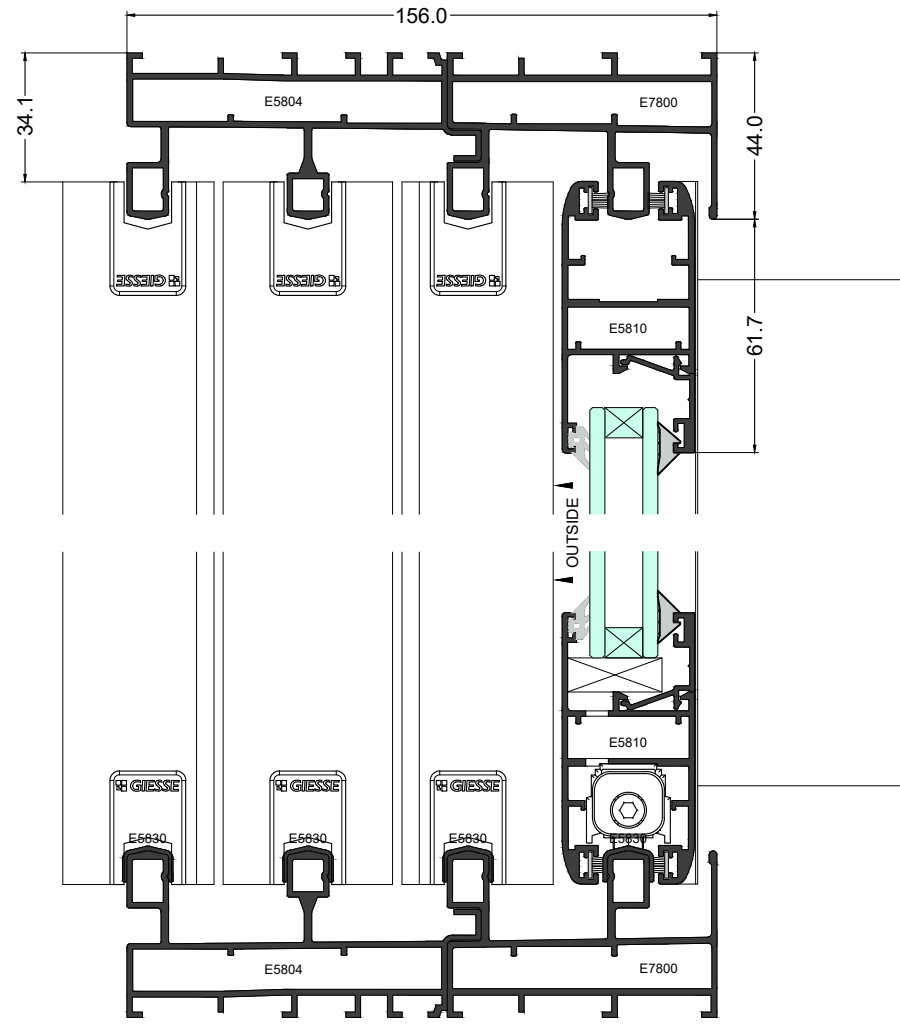


Elevation Section 13-13

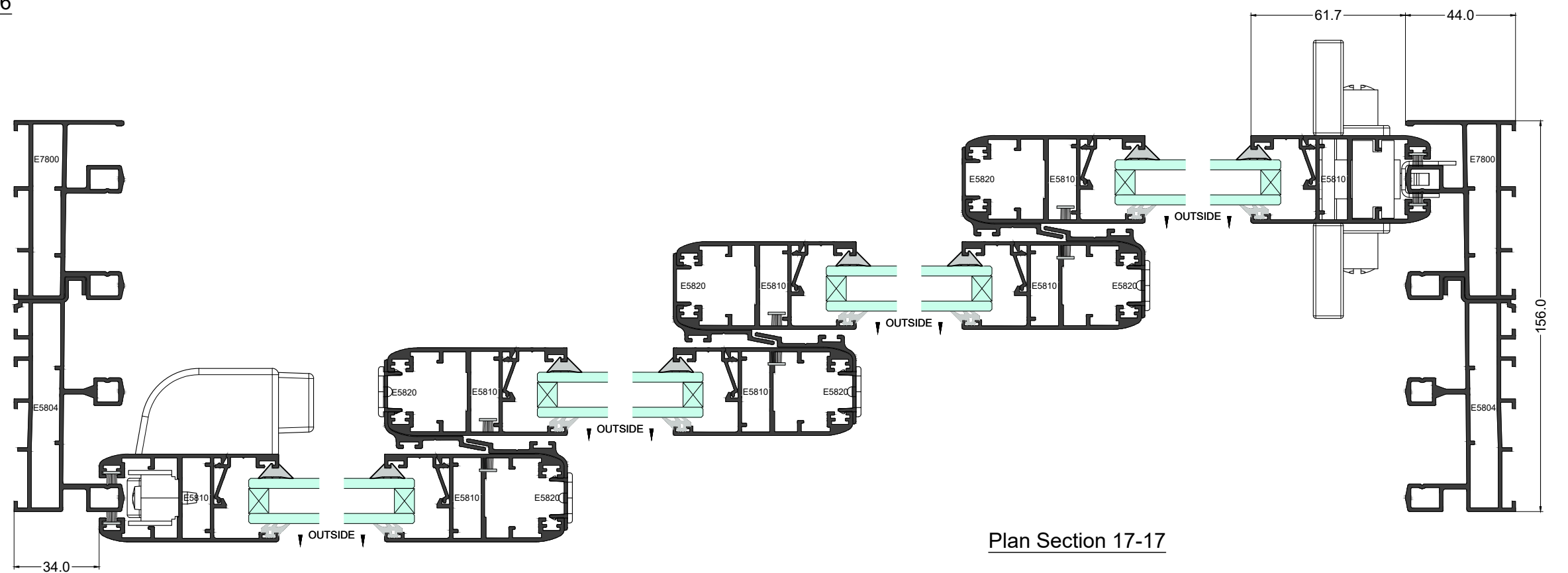
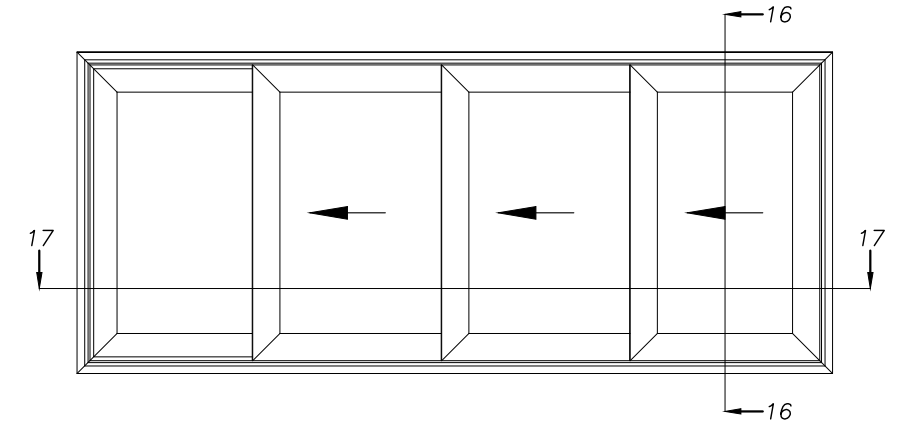


Plan Section 15-15





Elevation Section 16-16



Plan Section 17-17